

(21) Application No 9002967.9

(22) Date of filing 09.02.1990

(71) Applicant
Hundon Forge Limited

(Incorporated in the United Kingdom)

3 Rookwood Way, Haverhill, Suffolk, CB9 8PB,
United Kingdom

(72) Inventor
Roger William Turley

(74) Agent and/or Address for Service
Keith W Nash & Co
Pearl Assurance House, 90-92 Regent Street,
Cambridge, CB2 1DP, United Kingdom

(51) INT CL⁵
A61M 36/12 5/32 5/50

(52) UK CL (Edition K)
A5R RGG RGM

(56) Documents cited
GB 2232602 A GB 2208604 A GB 2190590 A
GB 2178322 A EP 0350186 A1 EP 0286992 A2
EP 0250104 A1 US 4874383 A US 4826491 A
US 4737144 A US 4425120 A

(58) Field of search
UK CL (Edition K) A5R RCA RCQ RCV RGG RGM
INT CL⁵ A61M 5/32 5/50 36/00 36/12 37/00
Online databases: WPI

(54) Implanting device with needle cover

(57) A device for implanting an object, such as a hormone pellet or an electronic transponder beneath the skin of an animal, comprises a hollow needle (1) with an actuating rod (11) slidable therein, a cover (2) movable relative to the needle to enable at least the sharp end of the needle to be shrouded, and a locking mechanism in the form of an abutment (10) movable into a rebate (6), from which it cannot then return. The needle (11) may be mounted at one end of a body (4) which incorporates the locking rebate (6).

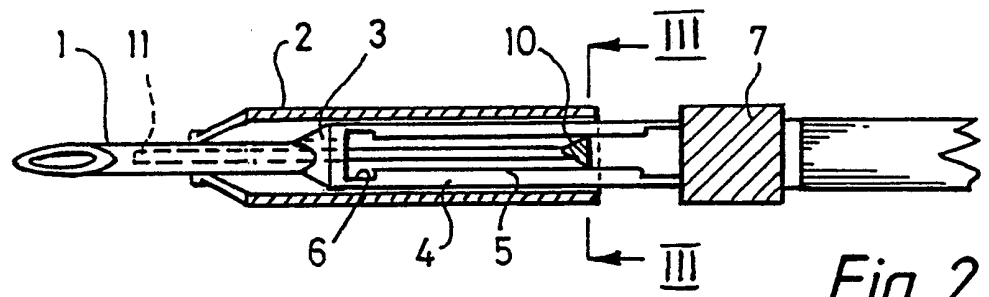


Fig. 2

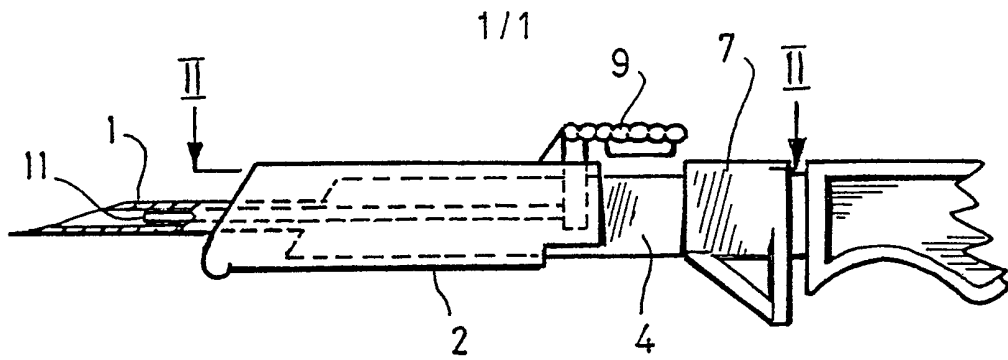


Fig. 1

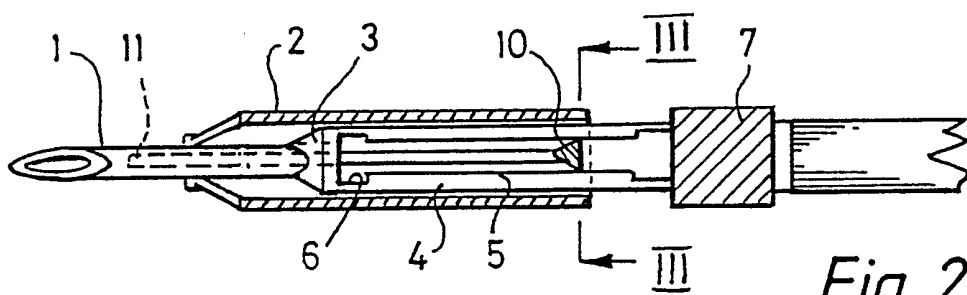


Fig. 2

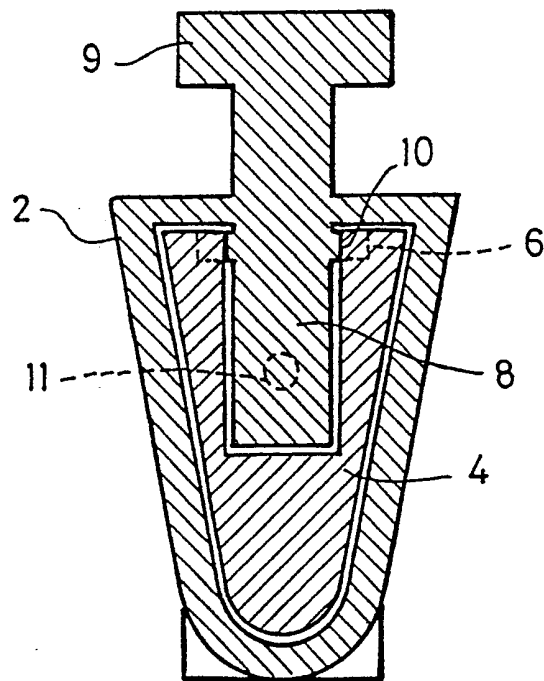


Fig. 3

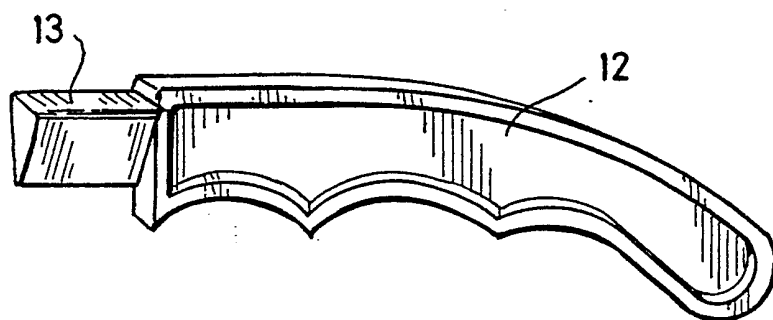


Fig. 4

Title: Implanting Device

Field of the Invention

The invention relates to a device for implanting an object beneath a membrane such as the skin of an animal. Although described in relation to the implanting of electronic tracer devices in animals the invention is applicable to the implanting of other objects for example hormone pellets, beneath the skin of animals, or small objects into reaction vessels covered by a stretched membrane.

Background to the Invention

It is known to implant pellets, such as hormone pellets, beneath the skin of an animal using a device having a hollow needle through which a rod may travel to transfer the pellets from the needle to the animal. An example of such a device is described and illustrated in the specification of our published UK Patent Application No. GB2190590A.

One disadvantage associated with this sort of device is that the device may inadvertently be used more than once on a number of animals, giving rise to the risk of cross infection. In addition, a used needle presents the danger of injury and infection to someone handling the device.

Summary of the Invention

According to the invention there is provided a device for implanting or injecting an object beneath a membrane the device comprising a needle from which, in use, the object is transferred to a position beneath the membrane ; a cover which is movable between a retracted position in which the needle can penetrate the membrane , and an extended position in which the needle is at least partially shrouded; and a locking mechanism for locking the cover in the extended position, to prevent the device from being used for more than one operation and shroud at least the sharp end of the needle.

Thus, after the device has been used, the cover is locked into a position which is such that the needle is unlikely to cause injury or contamination or infection (depending what it has been used for).

The locking mechanism may be operated by means of a lever or switch provided on the device. Preferably however it is operated automatically by moving the cover into the extended position, and where the locking mechanism operates in this way, operation of the device preferably involves moving the cover from the retracted position, to the extended position, so as to prevent the cover from being left inadvertently in the retracted position after use.

When in the extended position, it may be sufficient for the cover to shroud only the sharp end region of the needle. However, the cover preferably comprises a sleeve which is slidably mounted relative to the needle and which, when extended, shrouds the whole of the needle.

The device may be of the kind in which the needle is hollow, and which includes expulsion means comprising a rod which is a sliding fit within the needle, and which travels along the needle to transfer an object located in the hollow interior of the needle to below the membrane. In this case, the needle is preferably mounted at one end of a body relative to which the cover is slidably mounted and the rod is mounted on the cover.

The locking mechanism for this device may comprise a resiliently deformable protruberance, projecting from either the cover or the body, and a corresponding recess in the other of the two parts, the arrangement being such that the protruberance, in use, engages the recess to lock the cover in the extended position.

The device may include a handle which may with advantage be demountable and which may be packed as a separate component and may be mounted on the device by for example a friction fit or by interengagement of mounting formations on the handle and on the device.

The invention is of particular application to an implanting device for penetrating the skin of an animal and depositing therebelow an object such as the electronic transponder identity tag; or hormone pellets and the like.

The invention also lies a method of implanting a device below a membrane using the apparatus on aforesaid so that the penetrating needle is shrouded after use.

Brief Description of the Drawings

The invention will now be described, by way of example only, with reference to the accompanying drawings in which:-

Figure 1 is a side view of a device according to the invention;

Figure 2 is a section taken along the line II-II of Figure 1;

Figure 3 is a section taken along the line III-III of Figure 2; and

Figure 4 shows a handle for the device.

Detailed description

The device shown in the Figures is used to implant a tracer device comprising a solid state transponder beneath the skin of live stock. The transponder is the kind which, in use, emits an electro-magnetic location signal in response to receiving an interrogating signal from a remote transmitter.

Referring to Figure 1, the device comprises a hollow needle 1 and a cover 2 which is movable relative to the lever 1, and which is shown in a retracted position.

The needle 1 is mounted at one end to an end face 3 (Figure 2) of an elongate body 4 which is of a generally truncated triangular cross-section.

The body 4 includes a track 5 which runs parallel to the elongate axis of the body 4, and which includes a rebate 6

at one end. An end stop and connector 7 is disposed on the end of the body 4 opposite the end face 3, and includes a triangular section socket (not shown) which faces away from the body 4.

The cover 2 is in the form of a sleeve which has a corresponding section to that of the body 4, and which is slidably mounted on the body 4. The cover 2 includes a spigot 8 which is formed integrally with the cover 2, and includes a head 9. The spigot 8 projects into the body 4 through the slot 5, and also includes a resiliently deformable abutment 10 situated within the track 5. When not deformed, the abutment 10 has a width dimension greater than that of the track 5, but less than that of the rebate 6. Thus the abutment is compressed when situated in the slot 5, and will have a width greater than that of the slot 5 when situated in the rebate 6. The abutment 10 is so sized and shaped that it may be moved along the slot 5 into rebate 6, but cannot then return along the slot 5.

A rod 11 is attached to the end of the spigot 8 opposite the head 9, and projects along the body 4 and into the needle 1.

Referring to Figure 4, the device may be attached to a handle 12 having a triangular section plug 13 at one end, which plug 13 is of a corresponding size and shape to the socket in the end connector. The handle 12 may be attached to the device by inserting the plug 13 into the socket in the end connector 7.

The cover 2 may be moved from the retracted position to an extended position in which the rod 11 extends beyond the

end of the needle 1, the abutment 10 is situated in the rebate 6 and the needle 1 situated within the cover 2.

When the device is to be used to implant a tracer, such as a solid state transducer, beneath the skin of an animal, the transducer is placed in the bore of the needle 1, whilst the cover 2 is in the retracted position. The needle 1 is then inserted into the animal and the cover 2 moved towards the extended position. This movement causes the rod 11 to travel along the needle 1, and thus to act as expulsion means for transferring the transponder from the needle 1 to the animal. It will be seen that, when the cover 2 abuts the skin of the animal, the movement will cause the needle 1 to be withdrawn into the cover 2. Since the distance between the end of the rod 11 and the cover 2 is fixed, this movement does not affect the position of the transponder.

This movement is continued until the abutment 10 reaches the rebate 6 at which stage the cover is in the extended position, the needle 1 having been withdrawn from the animal and into the cover 2.

With the cover 2 so positioned, the interaction between the abutment 10 and rebate 6 prevents the cover 2 from being retracted, and thus prevents the device from being used a second time. Furthermore, since the needle 1 is withdrawn into the cover 2, the risk of injury or infection of somebody subsequently handling the device is reduced.

As an alternative to the abutment 10 and rebate 6, the device may have a locking mechanism in the form of a resiliently deformable protruberance on the side of the cover 2 which, in use, engages in a corresponding recess

in the body 4. It is also in the scope of the invention for the protruberance to be provided on the body 4 and the recess in the cover 2.

Since the handle 12 is detachable from the rest of the device, the device may be stored, and packaged in a relatively compact form, thus reducing the amount of packaging material needed for the device.

CLAIMS

1. A device for implanting or injecting an object beneath a membrane, the device comprising a needle from which in use the object is transferred to a position beneath the membrane; a cover which is moveable between a retracted position in which the needle can penetrate the membrane and an extended position in which at least the sharp end of the needle is shrouded; and a locking mechanism for locking the cover in the extended position to prevent the device from being used for more than one operation and to shroud at least said sharp end of the needle.
2. A device according to claim 1 in which the locking mechanism is operated by means of a lever or switch provided on the device.
3. A device according to claim 1 in which the locking mechanism is operated automatically by moving the cover into the extended position, wherein operation of the device involves moving the cover from the retracted position to the extended position, so as to prevent the cover from being left inadvertently in the retracted position after use.
4. A device according to claim 2 in which the cover comprises a sleeve which is slidably mounted relative to the needle and which, when extended, shrouds the whole of the needle.
5. A device according to any one preceding claim in which the needle is hollow, and includes expulsion means

comprising a rod which is a sliding fit within the needle, and which travels along the needle to transfer an object located in the hollow interior of the needle to below the membrane.

6. A device according to claim 5 in which the needle is mounted at one end of a body relative to which the cover is slidably mounted, and the rod is mounted on the cover.

7. A device according to any one preceding claim in which the locking mechanism comprises a resiliently deformable protruberance projecting from either the cover or the body, and a corresponding recess in the other of the two parts, the arrangement being such that the protruberance in use engages the recess to lock the cover in the extended position.

8. A device according to any one preceding claim and further comprising a handle which is demountable as a separate component, and which is mounted on the device by a friction fit or by interengagement of mounting formations on the handle and on the device.

9. A method of implanting or injecting an object below a membrane using a device according to any one preceding claim, so that the penetrating needle is shrouded after use.

10. A device for implanting or injecting an object substantially as herein described with reference to, and as shown in, the accompanying drawings.

11. A method of implanting or injecting an object

substantially as herein described with reference to, and as shown in, the accompanying drawings.