



US00D477331S

(12) **United States Design Patent**
Tsai

(10) **Patent No.:** **US D477,331 S**

(45) **Date of Patent:** **** Jul. 15, 2003**

(54) **MIXER**

(76) **Inventor:** **Mu Yuan Tsai**, No. 1, Alley 16, Lane
40, Jinn Te Rd., Taichung (TW)

(**) **Term:** **14 Years**

(21) **Appl. No.:** **29/167,528**

(22) **Filed:** **Sep. 17, 2002**

(51) **LOC (7) Cl.** **15-03**

(52) **U.S. Cl.** **D15/19**

(58) **Field of Search** D15/10, 19, 147;
366/48.28, 47.31, 57, 60, 47, 48, 63, 185,
228, 232

(56) **References Cited**

U.S. PATENT DOCUMENTS

2,478,408 A	*	8/1949	Lightburn	366/48
2,981,524 A	*	4/1961	Yager	366/48
3,084,917 A	*	4/1963	Graybill	366/48
3,326,537 A	*	6/1967	Wallace	366/47
4,197,015 A	*	4/1980	Moser et al.	366/47

4,223,997 A	*	9/1980	Violet et al.	366/47
4,491,415 A	*	1/1985	Bishop	366/47
4,634,284 A	*	1/1987	Bishop	366/47
D308,526 S	*	6/1990	Stalder et al.	D15/10
D388,447 S	*	12/1997	Otto	D15/147
5,868,494 A	*	2/1999	Campbell et al.	366/47

* cited by examiner

Primary Examiner—Mitchell Siegel

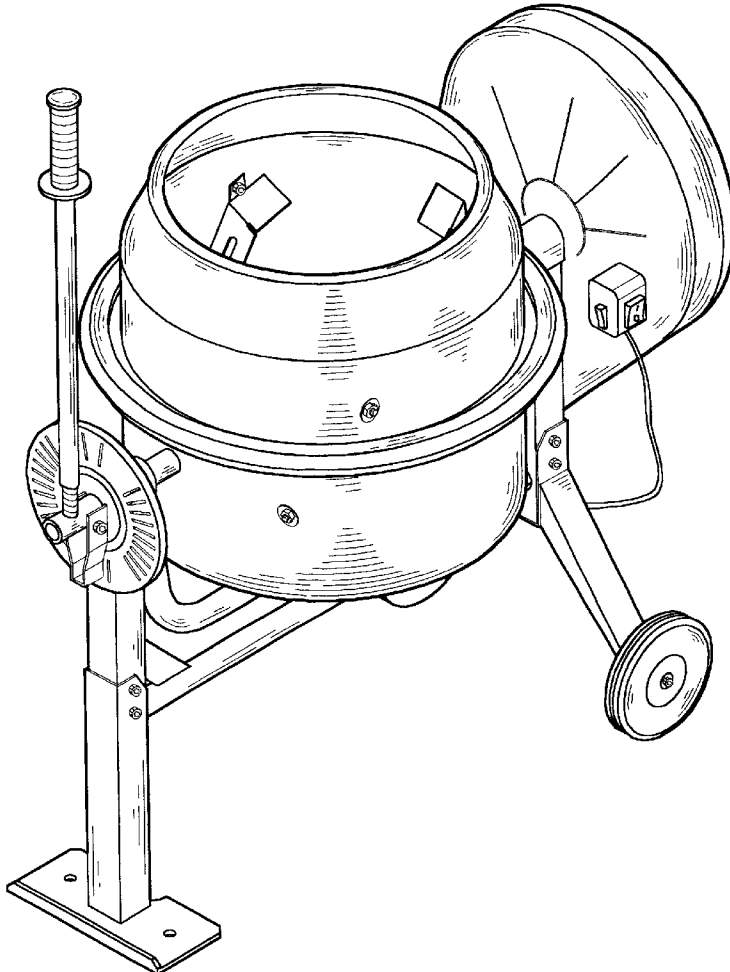
(57) **CLAIM**

The ornamental design for a mixer, as shown and described.

DESCRIPTION

FIG. 1 is a front-right-top perspective view of a mixer, showing my new design;
 FIG. 2 is a front elevational view thereof;
 FIG. 3 is a rear elevational view thereof;
 FIG. 4 is a top plan view thereof;
 FIG. 5 is a bottom plan view thereof;
 FIG. 6 is a left side elevational view thereof; and,
 FIG. 7 is a right side elevational view thereof.

1 Claim, 7 Drawing Sheets



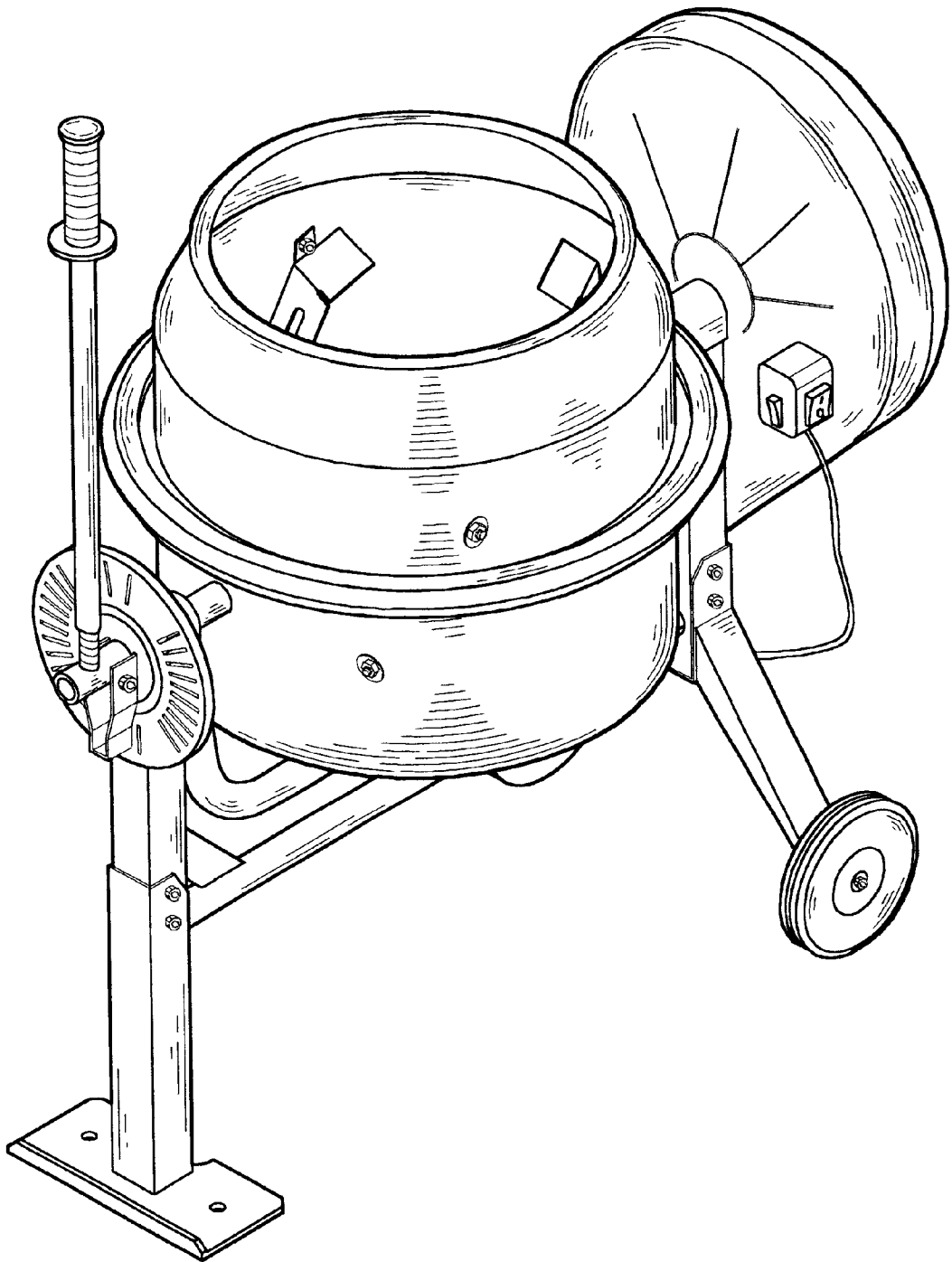


FIG.1

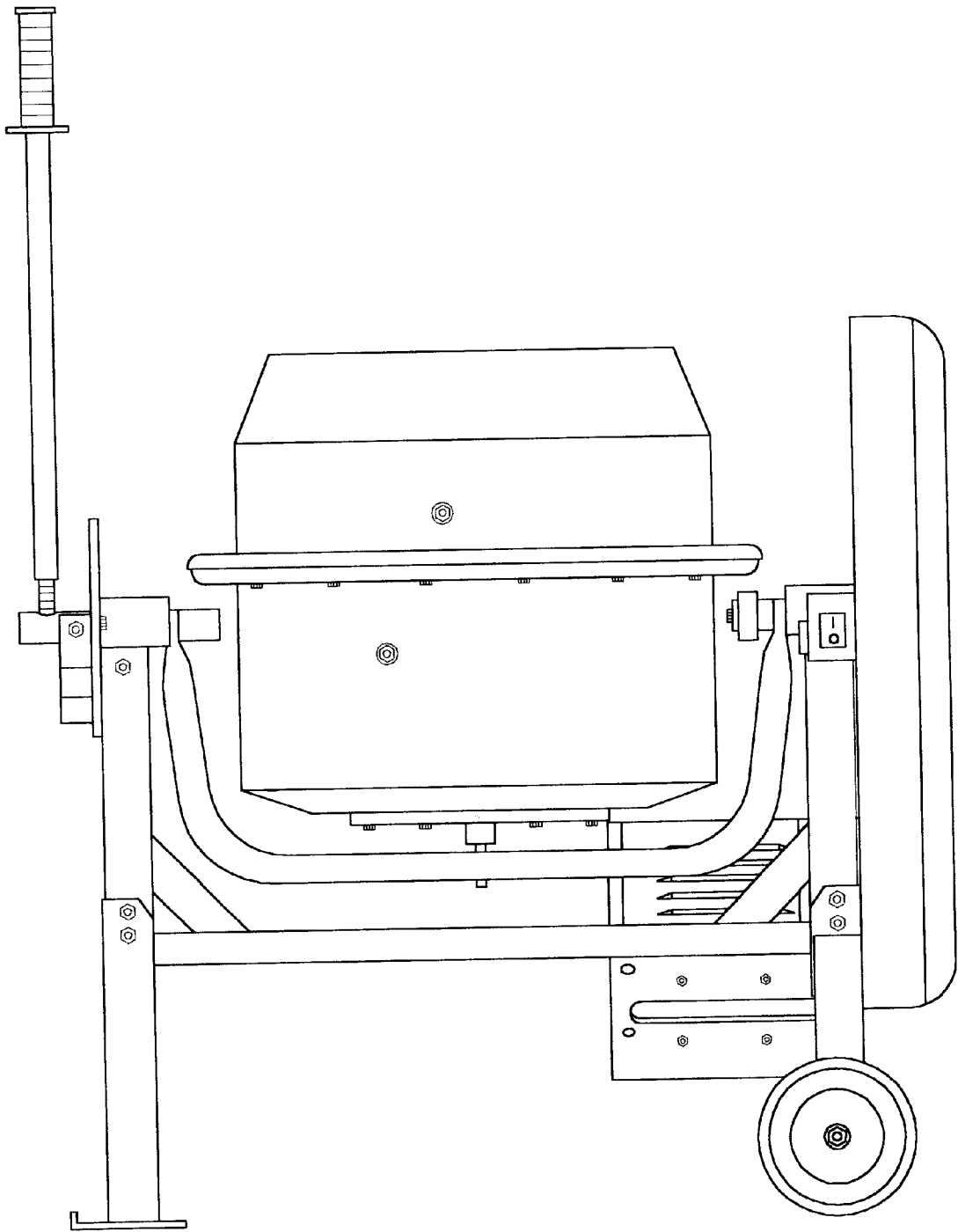


FIG.2

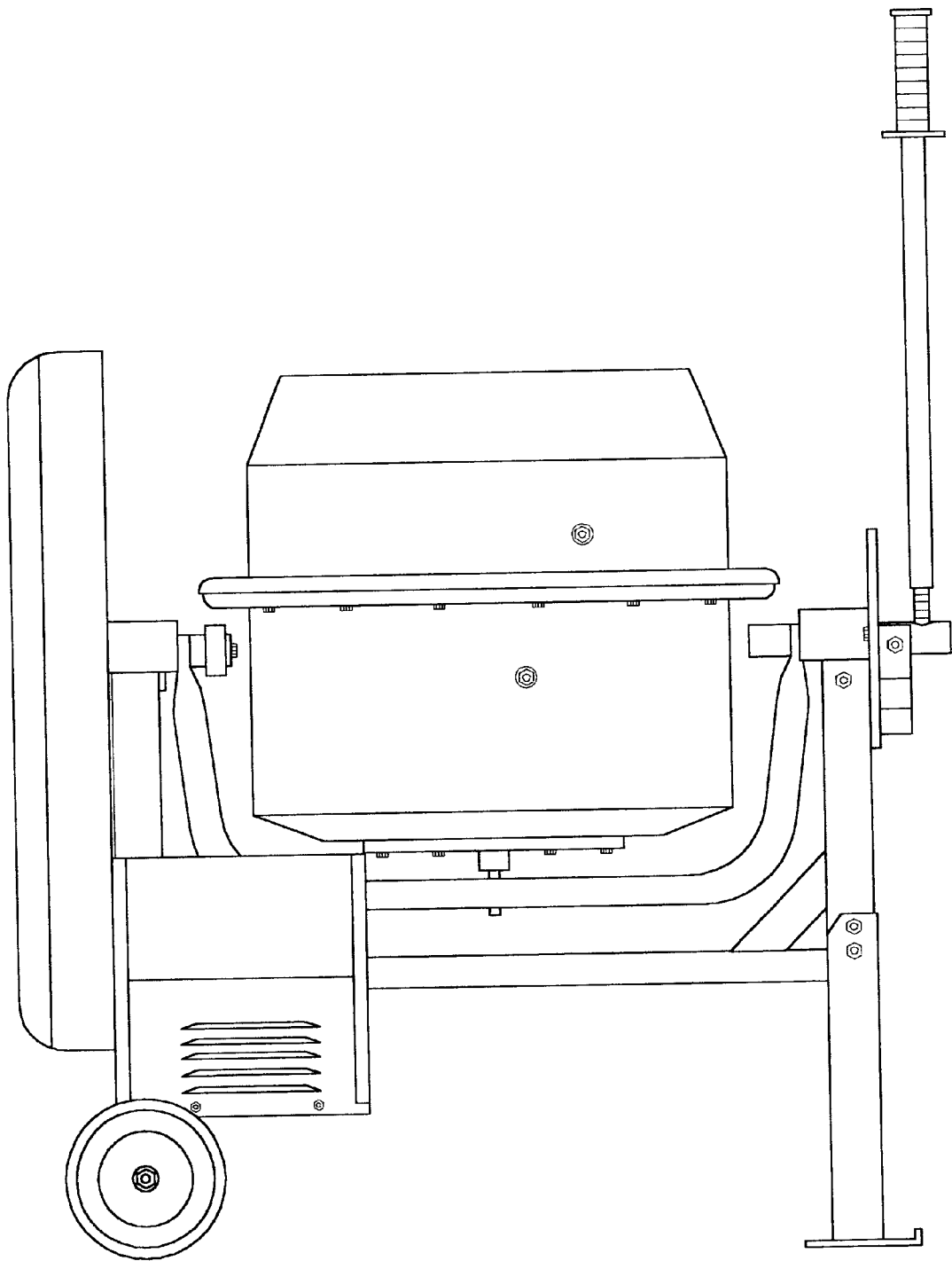


FIG.3

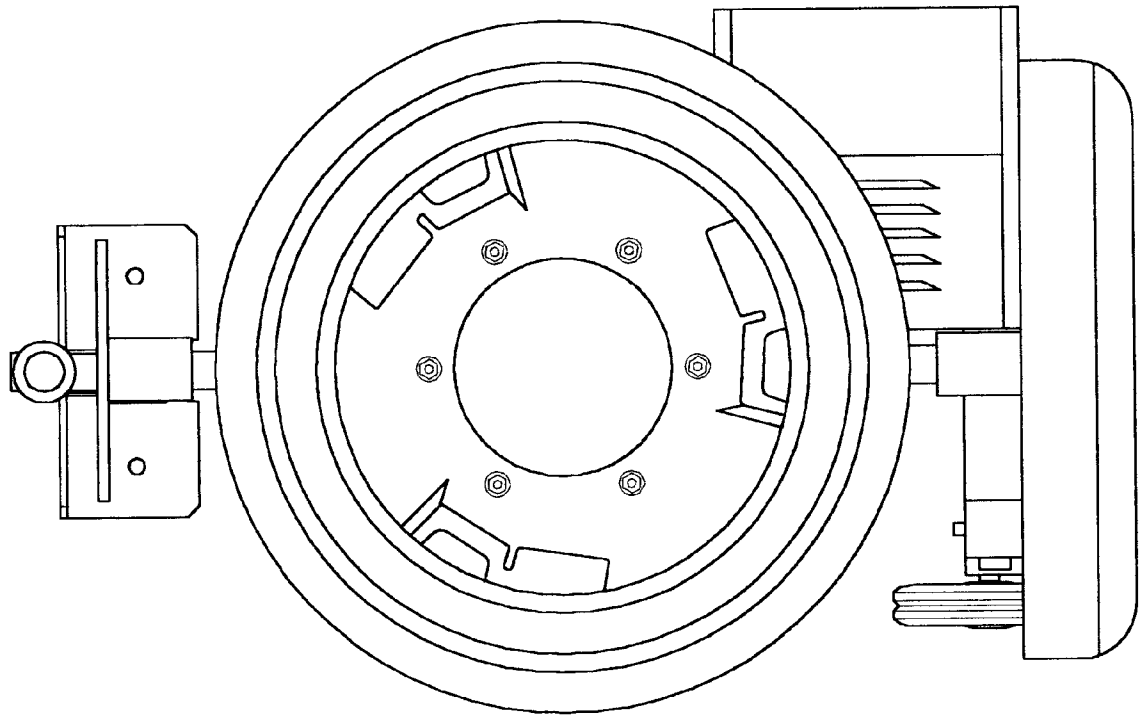


FIG.4

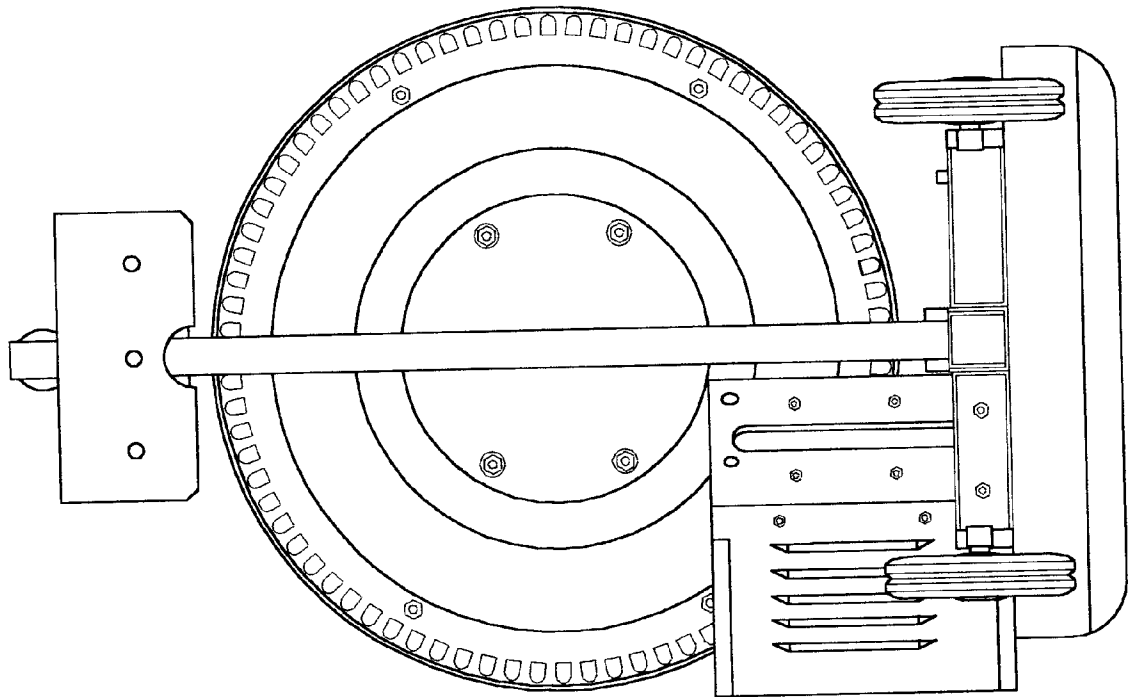


FIG.5

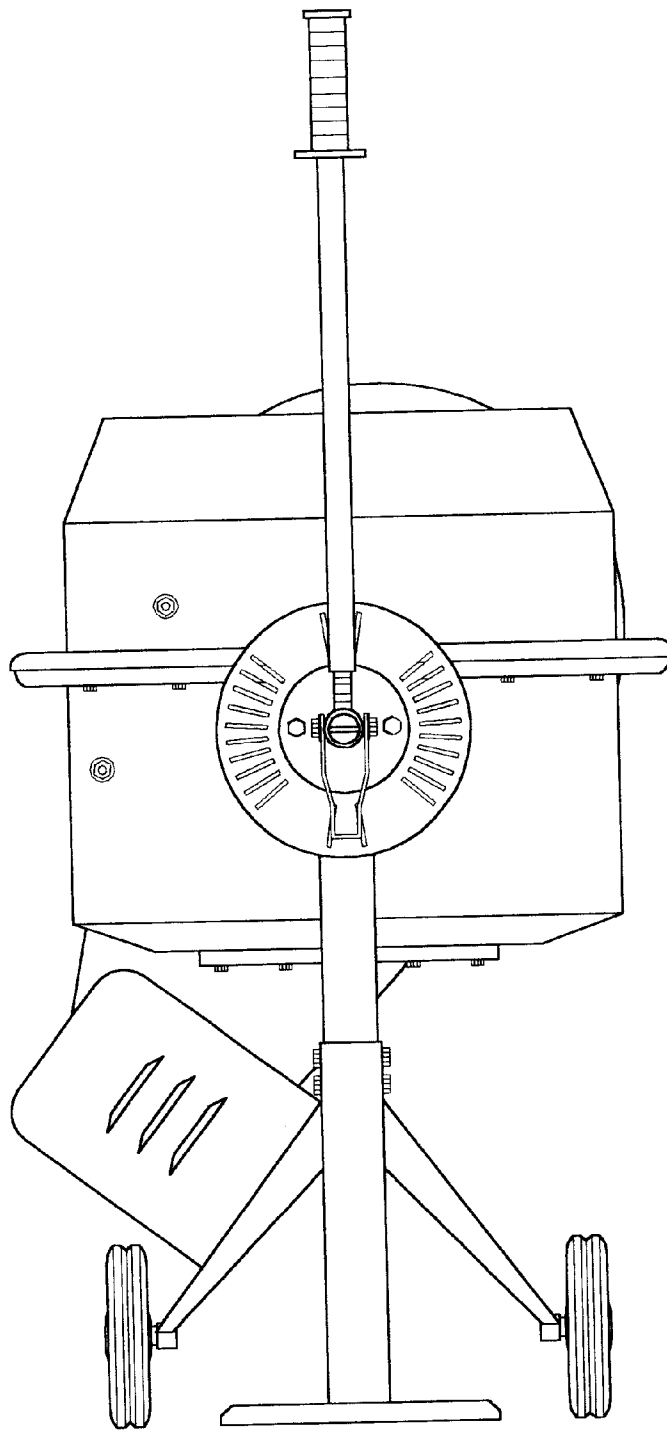


FIG.6

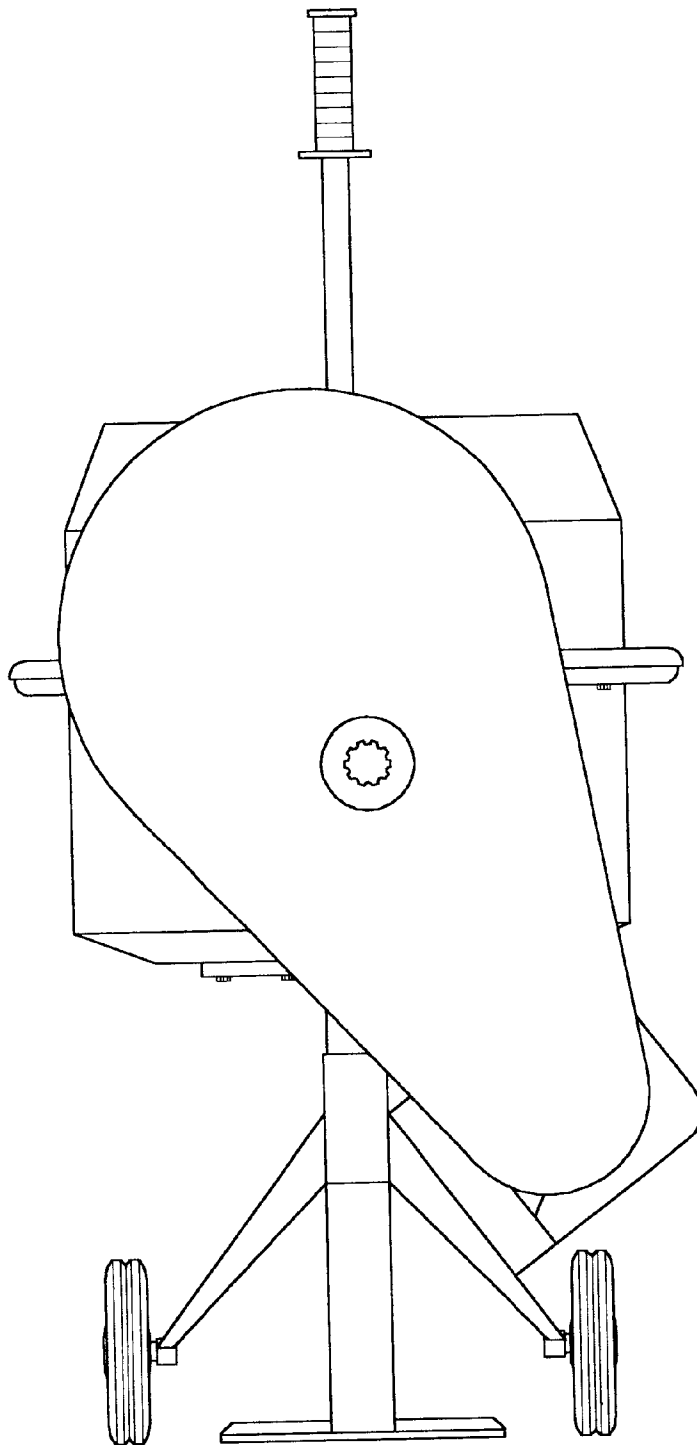


FIG.7