



(12) **United States Design Patent**  
**Siminoff et al.**

(10) **Patent No.:** **US D860,026 S**  
(45) **Date of Patent:** **\*\* Sep. 17, 2019**

(54) **SMOKE AND CARBON MONOXIDE SENSOR**

FOREIGN PATENT DOCUMENTS

(71) Applicant: **Ring Inc.**, Santa Monica, CA (US)  
(72) Inventors: **Mark Siminoff**, Mountain View, CA (US); **Timothy G. Wellener**, Phoenixville, PA (US); **Vinay Sao**, Malvern, PA (US); **Peter Gerstberger**, Laguna Niguel, CA (US); **Andrew L. Russell**, Philadelphia, PA (US); **Christopher Loew**, Palo Alto, CA (US)

CN	304825179	*	9/2018
JP	D1619507	*	12/2018
KR	300989843.0000	*	1/2019

OTHER PUBLICATIONS

Available Jan. 23, 2019, [online], [site visited Jan. 23, 2019]. Available from Internet, <URL:https://shop.ring.com/products/alarm-smoke-co-listener?variant=2047594004511> (Year: 2019).\*

(Continued)

(73) Assignee: **Amazon Technologies, Inc.**, Seattle, WA (US)

*Primary Examiner* — Cathron C Brooks  
*Assistant Examiner* — Katrina N Gonzalez  
(74) *Attorney, Agent, or Firm* — Lathrop Gage LLP

(\*\*) Term: **15 Years**

(21) Appl. No.: **29/623,306**

(57) **CLAIM**

The ornamental design for a smoke and carbon monoxide sensor, as shown and described.

(22) Filed: **Oct. 24, 2017**

(51) **LOC (12) Cl.** ..... **10-05**

(52) **U.S. Cl.**  
USPC ..... **D10/106.3**

(58) **Field of Classification Search**  
USPC ..... D10/49, 50, 51, 52, 104.1, 104.2, 105, D10/106.1, 106.2, 106.3, 106.4, 106.5, D10/106.6, 106.7, 106.8, 106.9, 107, 108, D10/109.1, 109.2, 110, 111, 112, 113.1, D10/113.2, 113.3, 113.4, 114.2, 114.3, D10/114.4, 114.5, 114.8, 114.9, 116.1, D10/120, 121, 122, 123, 124, 126, 46.1; D21/405, 722, 812, 396, 385; D23/213, D23/250; D28/82; D19/95, 96, 100;  
(Continued)

**DESCRIPTION**

FIG. 1 is a front perspective view of the smoke and carbon monoxide sensor according to the present design; FIG. 2 is a front elevational view of the smoke and carbon monoxide sensor of FIG. 1; FIG. 3 is a rear elevational view of the smoke and carbon monoxide sensor of FIG. 1; FIG. 4 is a right-side elevational view of the smoke and carbon monoxide sensor of FIG. 1; FIG. 5 is a left-side elevational view of the smoke and carbon monoxide sensor of FIG. 1; FIG. 6 is a top plan view of the smoke and carbon monoxide sensor of FIG. 1; and, FIG. 7 is a bottom plan view of the smoke and carbon monoxide sensor of FIG. 1.

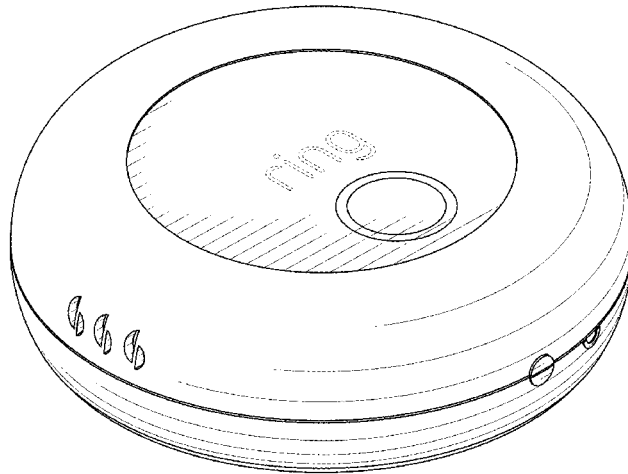
In the drawings, the broken lines illustrate portions of the smoke and carbon monoxide sensor that form no part of the claimed design.

(56) **References Cited**

U.S. PATENT DOCUMENTS

D266,934 S \* 11/1982 King ..... D19/75  
D272,751 S \* 2/1984 Brackmann ..... D21/443  
(Continued)

**1 Claim, 3 Drawing Sheets**



(58) **Field of Classification Search**

USPC ..... 340/539.12, 392.1, 384.7, 326, 539.14;  
 473/505, 510, 514  
 CPC ..... H01H 13/00; H01H 13/023; H01H 13/14;  
 H01H 13/56  
 See application file for complete search history.

D779,977 S \* 2/2017 Jacob ..... D10/50  
 D796,355 S \* 9/2017 Cho ..... D10/70  
 D798,490 S \* 9/2017 Haines ..... D26/104  
 D809,951 S \* 2/2018 Yang ..... D10/104.1  
 D820,123 S \* 6/2018 Chou ..... D10/70  
 D820,238 S \* 6/2018 Boshernitzan ..... D14/218  
 D830,555 S \* 10/2018 Lin ..... D24/167  
 D830,870 S \* 10/2018 Shepher ..... D10/116.1  
 D831,189 S \* 10/2018 Fang ..... D24/107  
 2018/0174777 A1 \* 6/2018 Clementson ..... H01H 13/023

(56) **References Cited**

U.S. PATENT DOCUMENTS

D282,380 S \* 1/1986 King ..... D19/75  
 D346,413 S \* 4/1994 Hellerman ..... D21/443  
 D364,108 S \* 11/1995 DeWitt ..... D10/106.5  
 D504,157 S \* 4/2005 Huang ..... D19/75  
 D596,815 S \* 7/2009 Baek ..... D32/21  
 D633,231 S \* 2/2011 Morrison ..... D26/24  
 D633,644 S \* 3/2011 Sprengers ..... D26/89  
 D680,015 S \* 4/2013 Hauser ..... D10/106.9  
 D685,527 S \* 7/2013 Eberlein ..... D28/82  
 D697,800 S \* 1/2014 Villarreal ..... D28/82  
 D700,075 S \* 2/2014 Bould ..... D10/49  
 D739,942 S \* 9/2015 Pernu ..... D24/167  
 D756,828 S \* 5/2016 Wettre ..... D10/106.5  
 D764,320 S \* 8/2016 Li ..... D10/50  
 D773,332 S \* 12/2016 Kalyan ..... D10/106.5

OTHER PUBLICATIONS

Available Jan. 12, 2019, [online], [site visited Jan. 23, 2019].  
 Available from Internet, <URL:https://www.amazon.com/Ring-Alarm-Smoke-CO-Listener/dp/B07M93Z1NT/ref=sr\_1\_3?ie=UTF8&qid=1548273918&sr=8-3&keywords=alarm+smoke+%26+co+listener> (Year: 2019).\*

Available Feb. 12, 2018, [online], [site visited Jan. 23, 2019].  
 Available from Internet, <URL:https://www.amazon.com/The-HomeAware-Fire-CO-Alert/dp/B079RP9N8M/ref=sr\_1\_4?ie=UTF8&qid=1548273918&sr=8-4&keywords=alarm+smoke+%26+co+listener> (Year: 2019).\*

\* cited by examiner

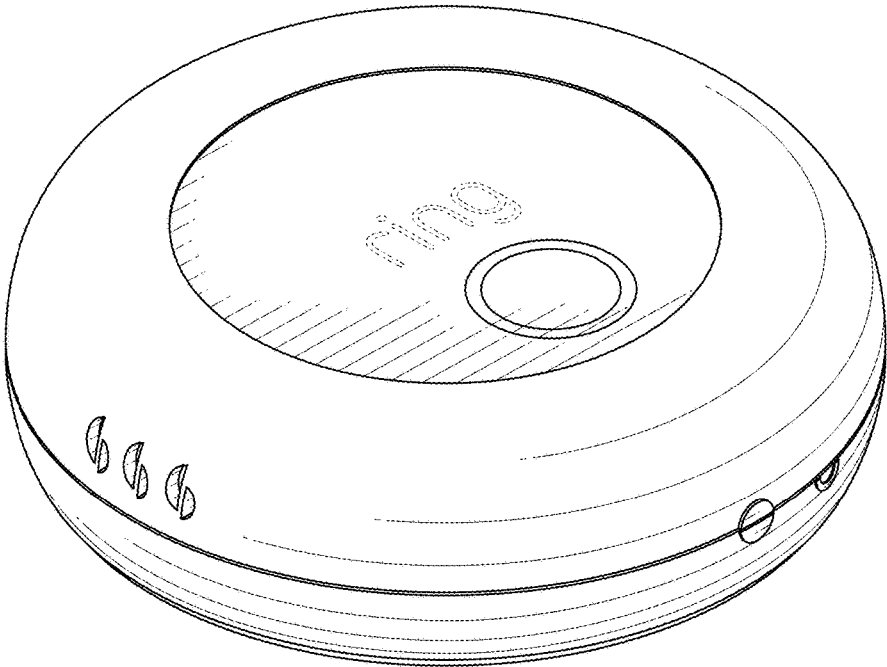


FIG. 1

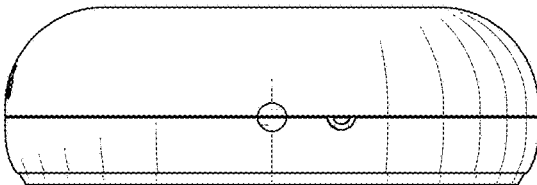


FIG. 2

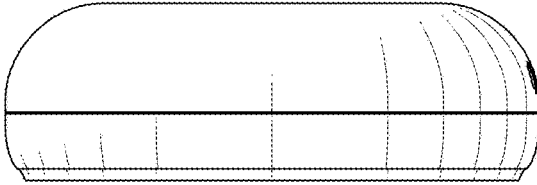


FIG. 3

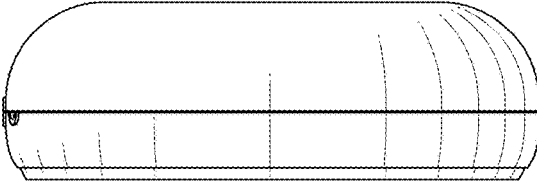


FIG. 4

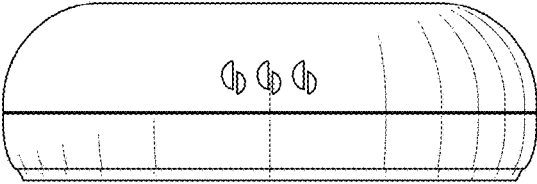


FIG. 5

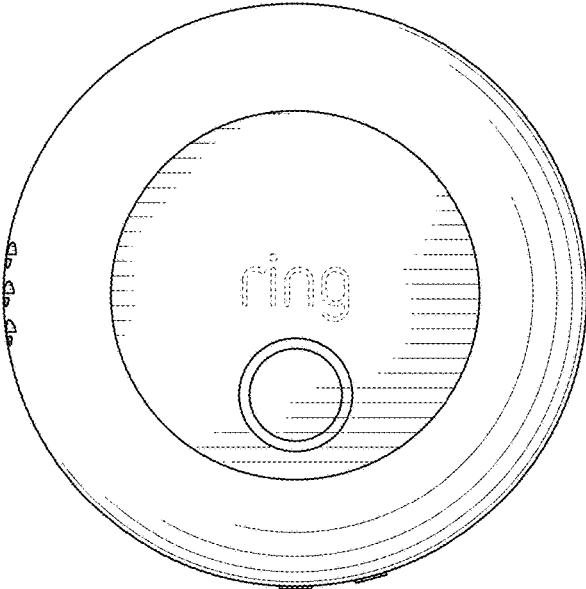


FIG. 6

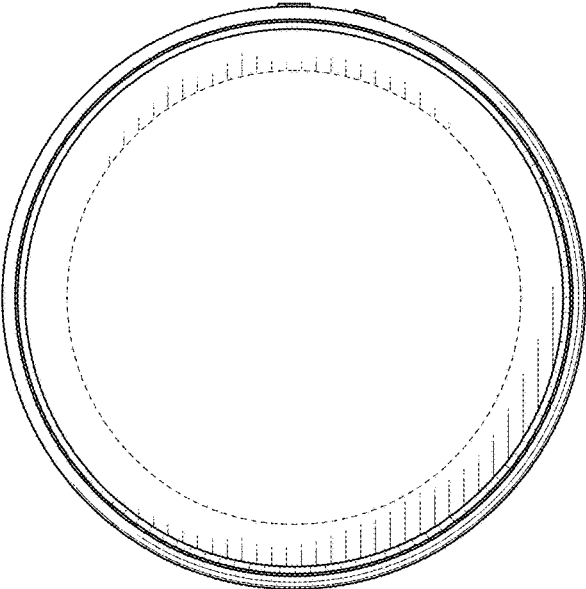


FIG. 7