

(19) World Intellectual Property Organization  
International Bureau



(43) International Publication Date  
15 January 2009 (15.01.2009)

PCT

(10) International Publication Number  
**WO 2009/009281 A3**

- (51) **International Patent Classification:**  
E21B 34/10 (2006.01) E21B 34/14 (2006.01)
- (21) **International Application Number:**  
PCT/US2008/067840
- (22) **International Filing Date:**  
23 June 2008 (23.06.2008)
- (25) **Filing Language:** English
- (26) **Publication Language:** English
- (30) **Priority Data:**  
11/827,035 10 July 2007 (10.07.2007) US
- (71) **Applicant (for all designated States except US):** **BAKER HUGHES INCORPORATED** [US/US]; P.O.Box 4740, Houston, TX 77027 (US).
- (72) **Inventors; and**
- (75) **Inventors/Applicants (for US only):** **UNGER, Michael, A.** [US/US]; 507 Bridge Crest Boulevard, Houston, TX 77082 (US). **FRANCO, Juan, P.** [US/US]; 1860 White Oak Drive, #302, Houston, TX 77009 (US).
- (74) **Agent:** **DUPHORNE, Darin, H.**; Baker Hughes Incorporated, P.O. Box 4740, Houston, TX 77027-4740 (US).
- (81) **Designated States (unless otherwise indicated, for every kind of national protection available):** AE, AG, AL, AM, AO, AT, AU, AZ, BA, BB, BG, BH, BR, BW, BY, BZ,

CA, CH, CN, CO, CR, CU, CZ, DE, DK, DM, DO, DZ, EC, EE, EG, ES, FI, GB, GD, GE, GH, GM, GT, HN, HR, HU, ID, IL, IN, IS, JP, KE, KG, KM, KN, KP, KR, KZ, LA, LC, LK, LR, LS, LT, LU, LY, MA, MD, ME, MG, MK, MN, MW, MX, MY, MZ, NA, NG, NI, NO, NZ, OM, PG, PH, PL, PT, RO, RS, RU, SC, SD, SE, SG, SK, SL, SM, SV, SY, TJ, TM, TN, TR, TT, TZ, UA, UG, US, UZ, VC, VN, ZA, ZM, ZW.

(84) **Designated States (unless otherwise indicated, for every kind of regional protection available):** ARIPO (BW, GH, GM, KE, LS, MW, MZ, NA, SD, SL, SZ, TZ, UG, ZM, ZW), Eurasian (AM, AZ, BY, KG, KZ, MD, RU, TJ, TM), European (AT, BE, BG, CH, CY, CZ, DE, DK, EE, ES, FI, FR, GB, GR, HR, HU, IE, IS, IT, LT, LU, LV, MC, MT, NL, NO, PL, PT, RO, SE, SI, SK, TR), OAPI (BF, BJ, CF, CG, CI, CM, GA, GN, GQ, GW, ML, MR, NE, SN, TD, TG).

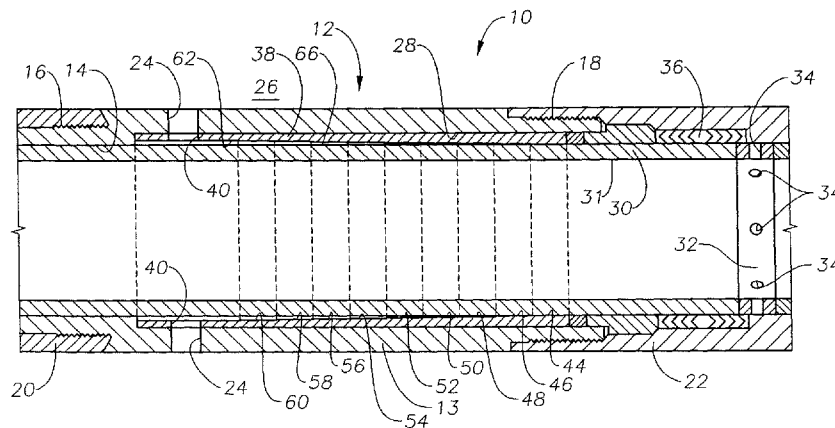
**Published:**

- with international search report (Art. 21(3))
- before the expiration of the time limit for amending the claims and to be republished in the event of receipt of amendments (Rule 48.2(h))

(88) **Date of publication of the international search report:**  
1 April 2010

(54) **Title:** INCREMENTAL ANNULAR CHOKE

Fig. 1



(57) **Abstract:** An annular choke mechanism is incorporated into a flow path within the outer housing (12) of the sleeve valve (10) to the interior flow ports of the sliding sleeve member (30). As the sliding sleeve member is moved axially within the housing, the lateral fluid ports (34) of the sliding sleeve member are aligned within particular bore portions (44,46,48,50,..) so that the size of the annular space between the fluid ports (24) in the housing and the fluid ports (34) in the sleeve is varied. The annular flow area through the annular space governs the rate of fluid flow through the valve.

WO 2009/009281 A3

**INTERNATIONAL SEARCH REPORT**

International application No  
PCT/US2008/067840

**A. CLASSIFICATION OF SUBJECT MATTER**  
INV. E21B34/10 E21B34/14

According to International Patent Classification (IPC) or to both national classification and IPC

**B. FIELDS SEARCHED**  
Minimum documentation searched (classification system followed by classification symbols)  
E21B

Documentation searched other than minimum documentation to the extent that such documents are included in the fields searched

Electronic data base consulted during the international search (name of data base and, where practical, search terms used)  
EPO-Internal

**C. DOCUMENTS CONSIDERED TO BE RELEVANT**

Category*	Citation of document, with indication, where appropriate, of the relevant passages	Relevant to claim No.
X	US 2007/044956 A1 (JONAS JASON K [US]) 1 March 2007 (2007-03-01) figures 1,4,17,20,21	1-15
X	WO 97/16623 A1 (NORSK HYDRO AS [NO]; BOEE EINAR [NO]; HAUGERUD OLAV SVEINUNG [NO]; CAR) 9 May 1997 (1997-05-09) page 6, line 8 - page 7, line 2; figures 1,2,4,5	1-3,5, 8-10, 14-15
X	US 6 082 458 A (SCHNATZMEYER MARK A [US]) 4 July 2000 (2000-07-04) column 2, line 35 - column 3, line 5; figures 1-5	1,3,8-9, 14
A	GB 2 314 866 A (BAKER HUGHES INC [US]) 14 January 1998 (1998-01-14) claim 1; figure 1	1-15

Further documents are listed in the continuation of Box C.  See patent family annex.

\* Special categories of cited documents :

"A" document defining the general state of the art which is not considered to be of particular relevance	"T" later document published after the international filing date or priority date and not in conflict with the application but cited to understand the principle or theory underlying the invention
"E" earlier document but published on or after the international filing date	"X" document of particular relevance; the claimed invention cannot be considered novel or cannot be considered to involve an inventive step when the document is taken alone
"L" document which may throw doubts on priority claim(s) or which is cited to establish the publication date of another citation or other special reason (as specified)	"Y" document of particular relevance; the claimed invention cannot be considered to involve an inventive step when the document is combined with one or more other such documents, such combination being obvious to a person skilled in the art.
"O" document referring to an oral disclosure, use, exhibition or other means	"&" document member of the same patent family
"P" document published prior to the international filing date but later than the priority date claimed	

Date of the actual completion of the international search <b>8 February 2010</b>	Date of mailing of the international search report <b>18/02/2010</b>
---	---

Name and mailing address of the ISA/ European Patent Office, P.B. 5818 Patentlaan 2 NL - 2280 HV Rijswijk Tel. (+31-70) 340-2040, Fax: (+31-70) 340-3016	Authorized officer <b>Dantinne, Patrick</b>
--	--

# INTERNATIONAL SEARCH REPORT

Information on patent family members

International application No PCT/US2008/067840
---

Patent document cited in search report	Publication date	Patent family member(s)	Publication date
US 2007044956	A1	01-03-2007	NONE
WO 9716623	A1	09-05-1997	AU 716036 B2 17-02-2000 AU 7509796 A 22-05-1997 BR 9611586 A 06-04-1999 CA 2236264 A1 09-05-1997 DE 69607853 D1 25-05-2000 EP 0858548 A1 19-08-1998 US 6112815 A 05-09-2000
US 6082458	A	04-07-2000	AU 743493 B2 24-01-2002 AU 7616098 A 28-01-1999 BR 9802729 A 09-11-1999 CA 2243795 A1 21-01-1999 DE 69808567 D1 14-11-2002 DE 69808567 T2 26-06-2003 EP 0893574 A2 27-01-1999 NO 983339 A 22-01-1999 US 5957207 A 28-09-1999
GB 2314866	A	14-01-1998	AU 729698 B2 08-02-2001 AU 2622897 A 15-01-1998 CA 2208613 A1 01-01-1998 NO 973040 A 02-01-1998 US 5896928 A 27-04-1999