



US00D399648S

United States Patent [19] Hilton

[11] Patent Number: **Des. 399,648**

[45] Date of Patent: ****Oct. 20, 1998**

[54] DECORATIVE CONTAINER HOLDER

5,503,424 4/1996 Agopian 280/651
5,551,715 9/1996 Pickard 280/79.2 X

[75] Inventor: **Marjorie Hilton**, 910 Park Ave., New York, N.Y. 10021

FOREIGN PATENT DOCUMENTS

[73] Assignee: **Marjorie Hilton**, New York, N.Y.

454735 6/1968 Switzerland 280/79.2

[**] Term: **14 Years**

OTHER PUBLICATIONS

[21] Appl. No.: **62,822**

Rubbermaid Cat, p. 22, 1996.
Rubbermaid cat, p. 48, 1996.
Rubbermaid Food Service cat, p. 17, 1981.

[22] Filed: **Nov. 26, 1996**

Primary Examiner—Prabhakar G. Deshmukh
Attorney, Agent, or Firm—Evelyn M. Sommer

[51] LOC (6) Cl. **03-01**

[52] U.S. Cl. **D3/201; D34/17**

[58] Field of Search D3/201, 304, 314,
D3/315; D34/17, 24, 20, 5; 280/79.2, 79.5,
47.34, 47.35, 38; 248/129; 186/27

[57] CLAIM

The ornamental design for a decorative container holder, as shown and described.

[56] References Cited

U.S. PATENT DOCUMENTS

D. 284,609	7/1986	Rich	D34/17
D. 363,587	10/1995	Glinski	D34/17
D. 366,744	1/1996	Bailey	D34/17 X
3,044,096	7/1962	Englehart	280/79.2
3,433,500	3/1969	Christensen	280/79.2
3,567,068	3/1971	Carfizzi	280/79.2 X
5,149,125	9/1992	Gray	280/651
5,324,054	6/1994	Kleier	280/79.2
5,356,031	10/1994	Jondelius	280/79.2 X
5,380,023	1/1995	McBee	280/79.2 X

DESCRIPTION

FIG. 1 is a perspective view of a decorative container holder showing my new design;
FIG. 2 is a top plan view thereof;
FIG. 3 is a right side elevational view thereof; the left side elevational view being a mirror image thereof;
FIG. 4 is a front elevational view thereof; the rear elevational view being a mirror image thereof; and,
FIG. 5 is a bottom plan view thereof.

1 Claim, 3 Drawing Sheets

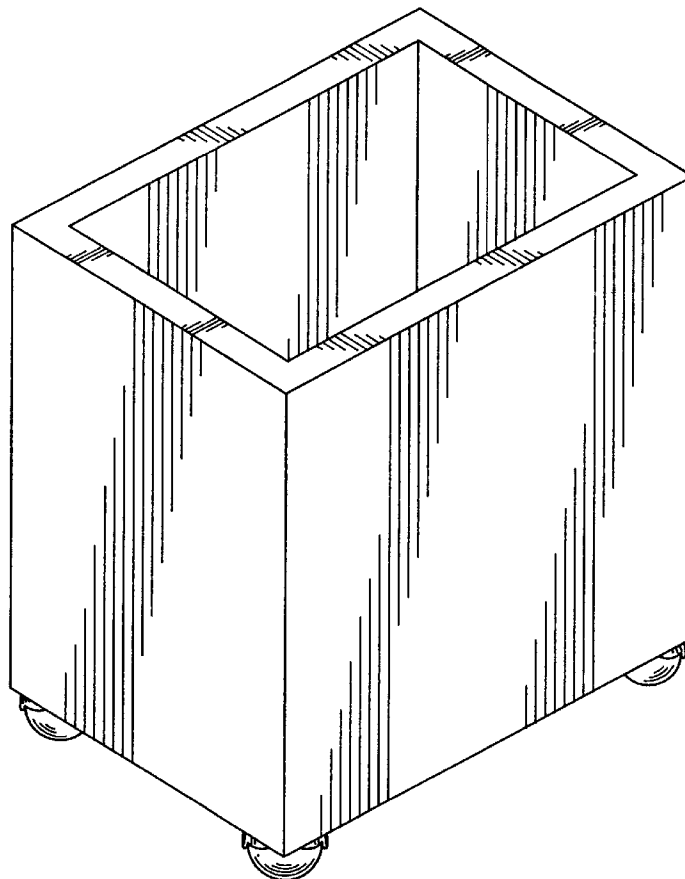


FIG. 1

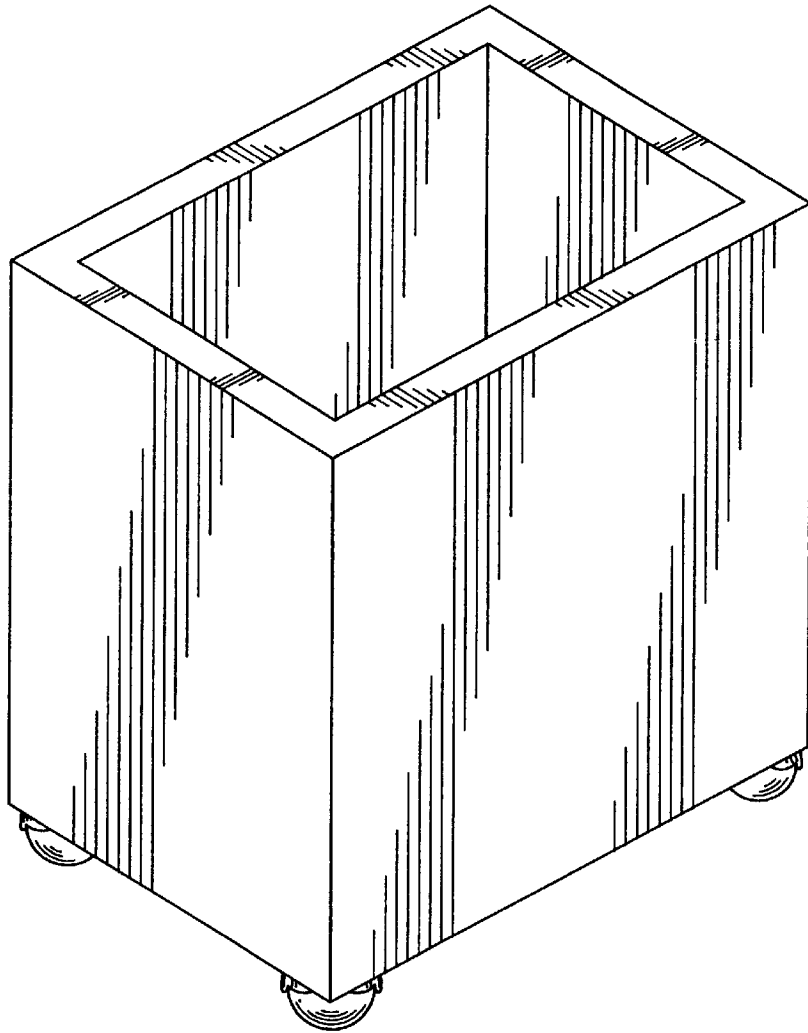


FIG. 2

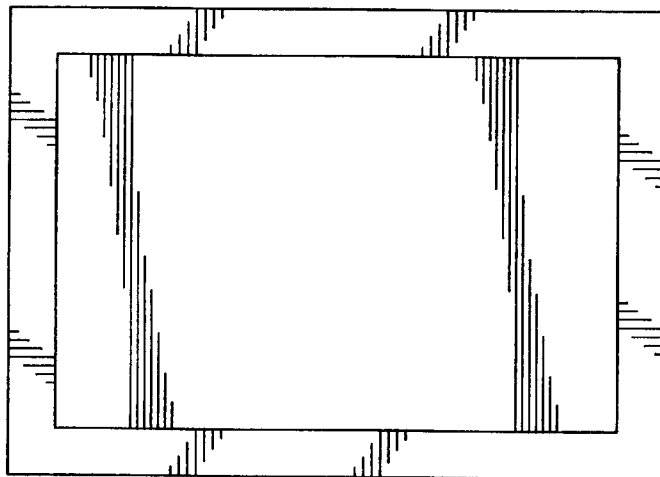


FIG. 3

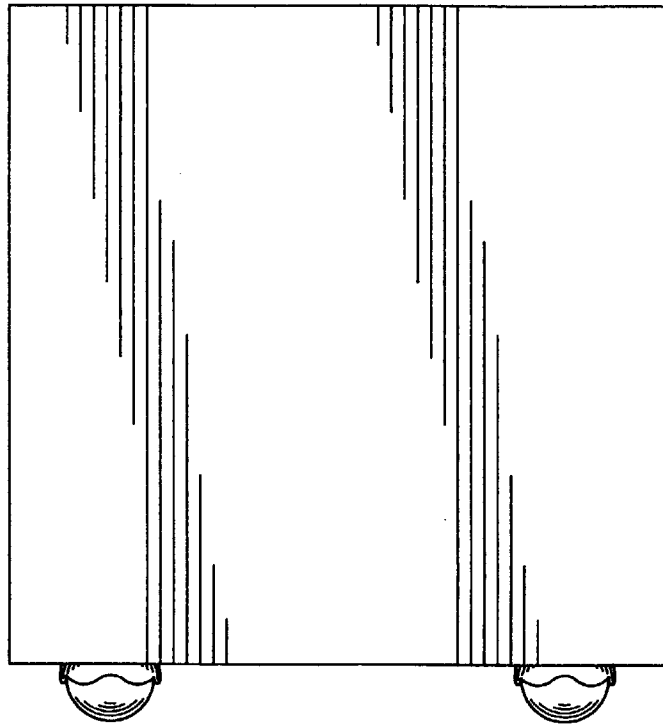


FIG. 4

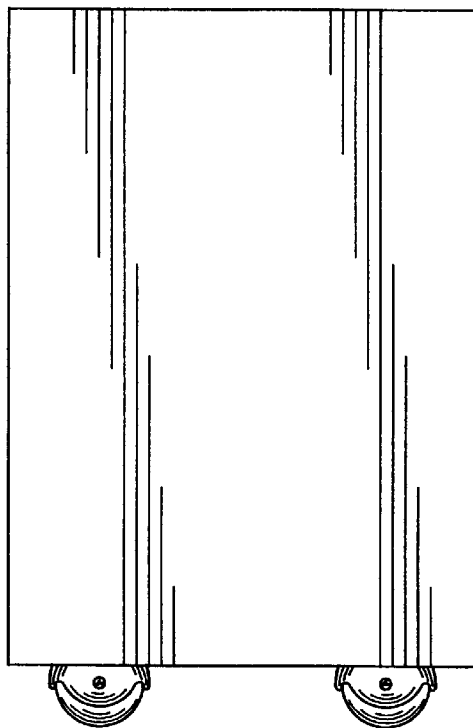


FIG. 5

