



US00D748869S

(12) **United States Design Patent**  
**Rutherford et al.**

(10) **Patent No.:** **US D748,869 S**

(45) **Date of Patent:** **\*\* Feb. 2, 2016**

- (54) **AQUARIUM COVERING**
- (71) Applicants: **Richard Rutherford**, Fleming Island, FL (US); **Judy Rutherford**, Fleming Island, FL (US)
- (72) Inventors: **Richard Rutherford**, Fleming Island, FL (US); **Judy Rutherford**, Fleming Island, FL (US)

D210,601 S	3/1968	Blackwell	
3,786,781 A *	1/1974	Poulsen .....	A01K 63/006 119/246
4,078,522 A	3/1978	Akers	
4,086,876 A *	5/1978	Moore .....	A01K 63/003 119/246
D249,283 S	9/1978	Conte	
D251,744 S *	5/1979	Akers .....	D30/107
2009/0293814 A1 *	12/2009	Rutherford, Jr. ....	A01K 63/006 119/253
2010/0300369 A1 *	12/2010	Fang .....	A01K 63/006 119/253

(\*\*) Term: **14 Years**

\* cited by examiner

(21) Appl. No.: **29/493,226**

*Primary Examiner* — Wan Laymon

(22) Filed: **Jun. 6, 2014**

(74) *Attorney, Agent, or Firm* — Lawrence J. Gibney, Jr.

(51) **LOC (10) Cl.** ..... **30-02**

(57) **CLAIM**

(52) **U.S. Cl.**  
USPC ..... **D30/107**

The ornamental design for an aquarium covering, as shown and described.

(58) **Field of Classification Search**  
USPC ..... D30/101-107, 110-111, 108, 112;  
D11/145; D21/483; D25/17; 119/459,  
119/482, 487, 253, 245, 265-266, 233  
CPC ..... A01K 63/006; A01K 63/003  
See application file for complete search history.

**DESCRIPTION**

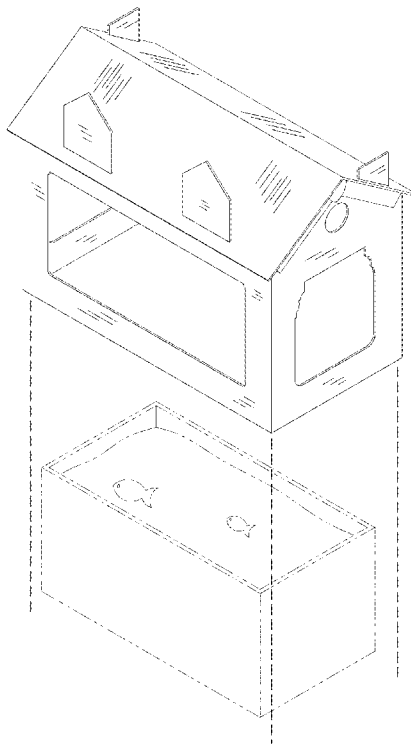
FIG. 1 is a front elevational view of an aquarium covering showing my new design;  
FIG. 2 is a back elevational view thereof;  
FIG. 3 is a right elevational view thereof;  
FIG. 4 is a bottom elevational view thereof;  
FIG. 5 is a top elevational view thereof; and,  
FIG. 6 is an exploded isometric elevational view thereof.  
The even spaced broken lines and dash-dot-dot-dash broken lines in FIG. 6 are included for the purpose of illustrating portions of the aquarium covering and form no part of the claimed design.

(56) **References Cited**

U.S. PATENT DOCUMENTS

3,018,758 A	4/1958	Arnould	
3,066,645 A	5/1960	Mulder	
3,095,853 A *	7/1963	Stont .....	A01K 63/003 119/266
D207,897 S	6/1967	Liberto	

**1 Claim, 6 Drawing Sheets**



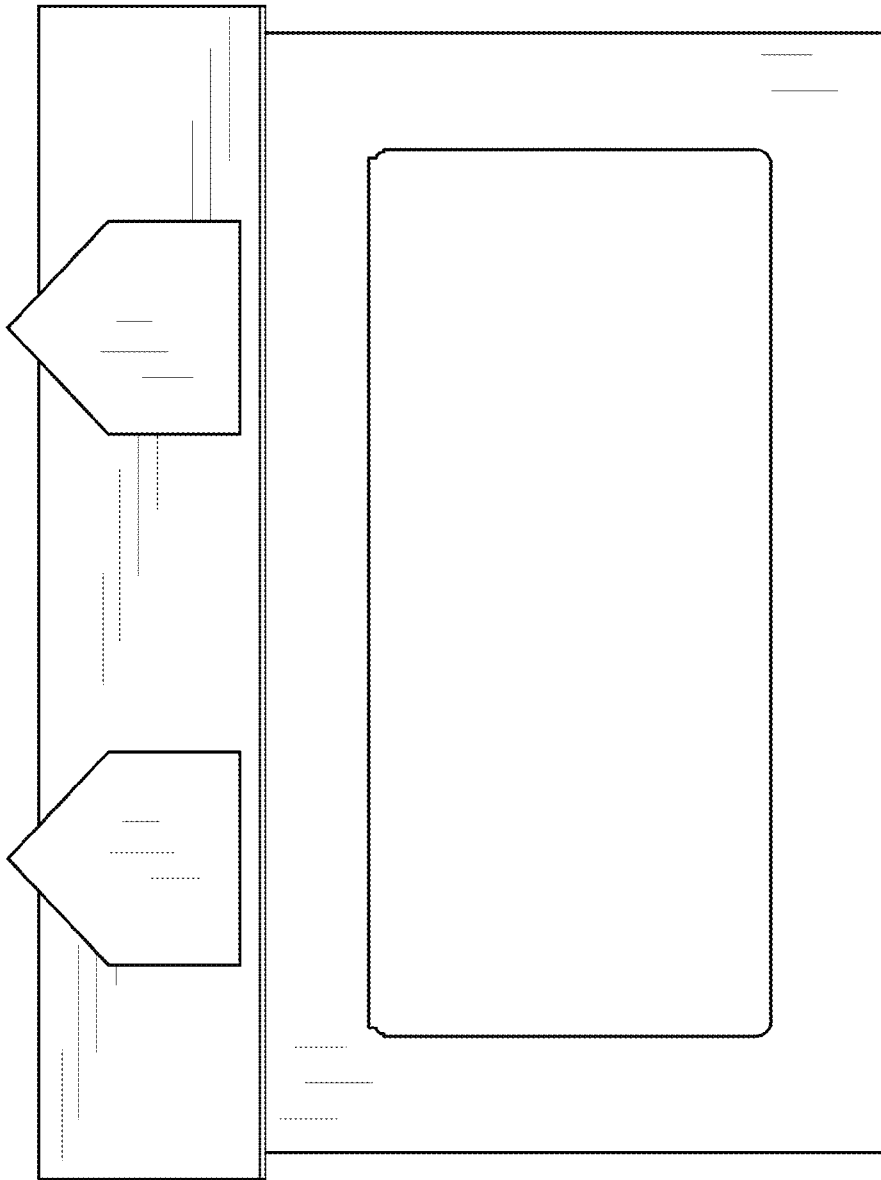


FIG. 1

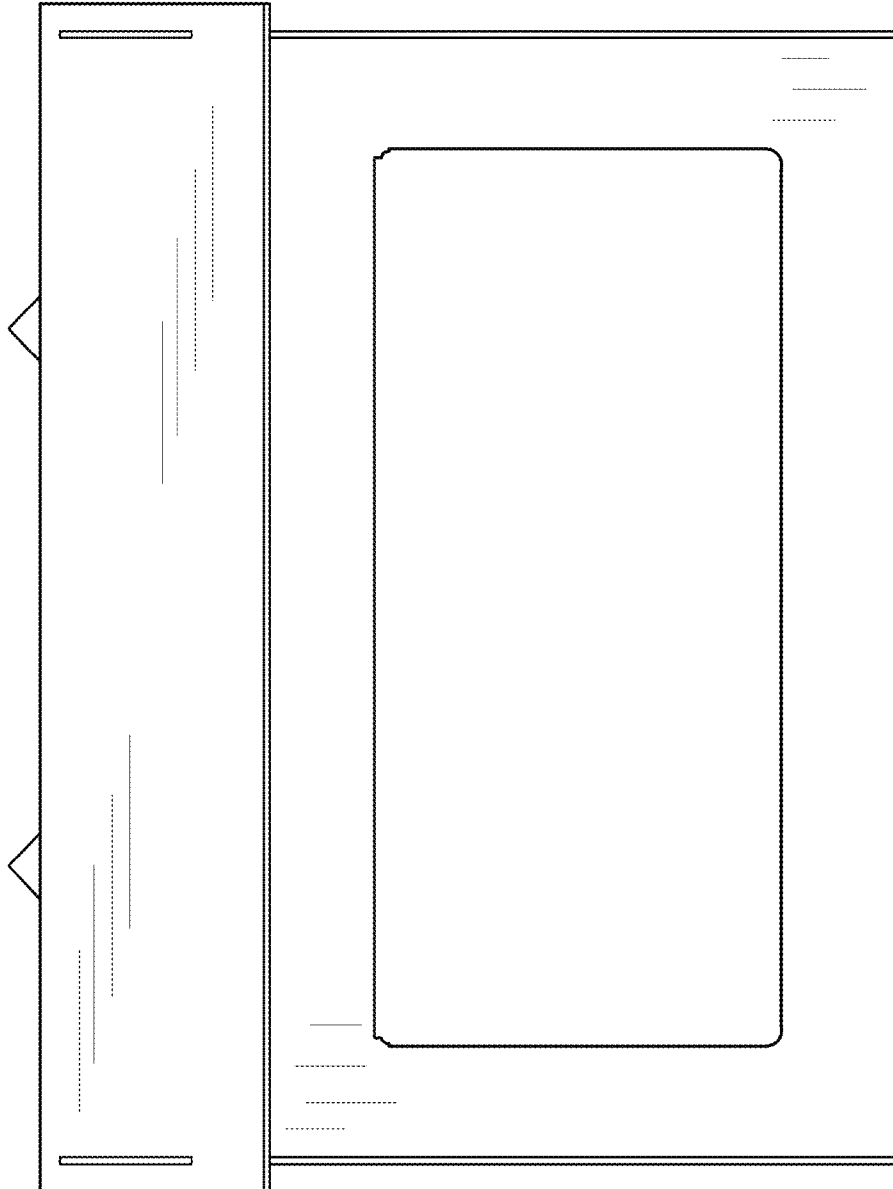


FIG. 2

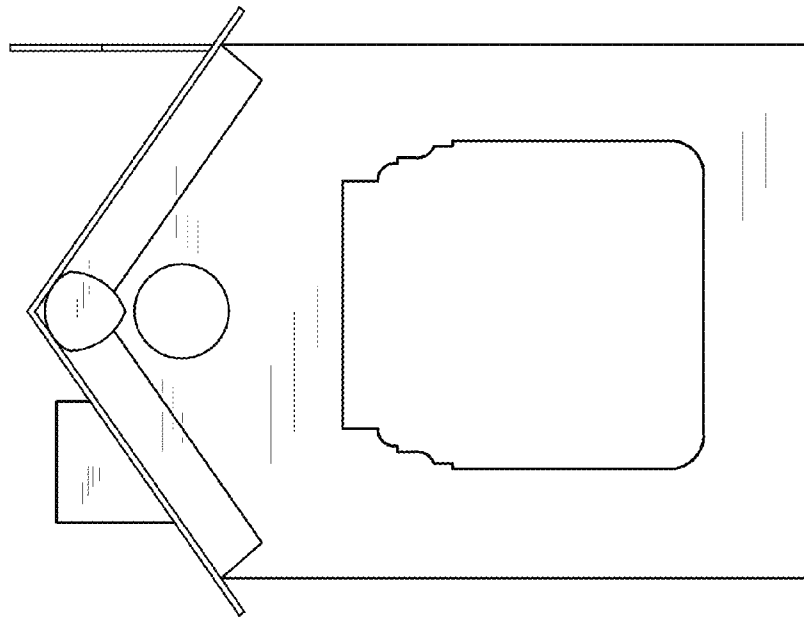


FIG. 3

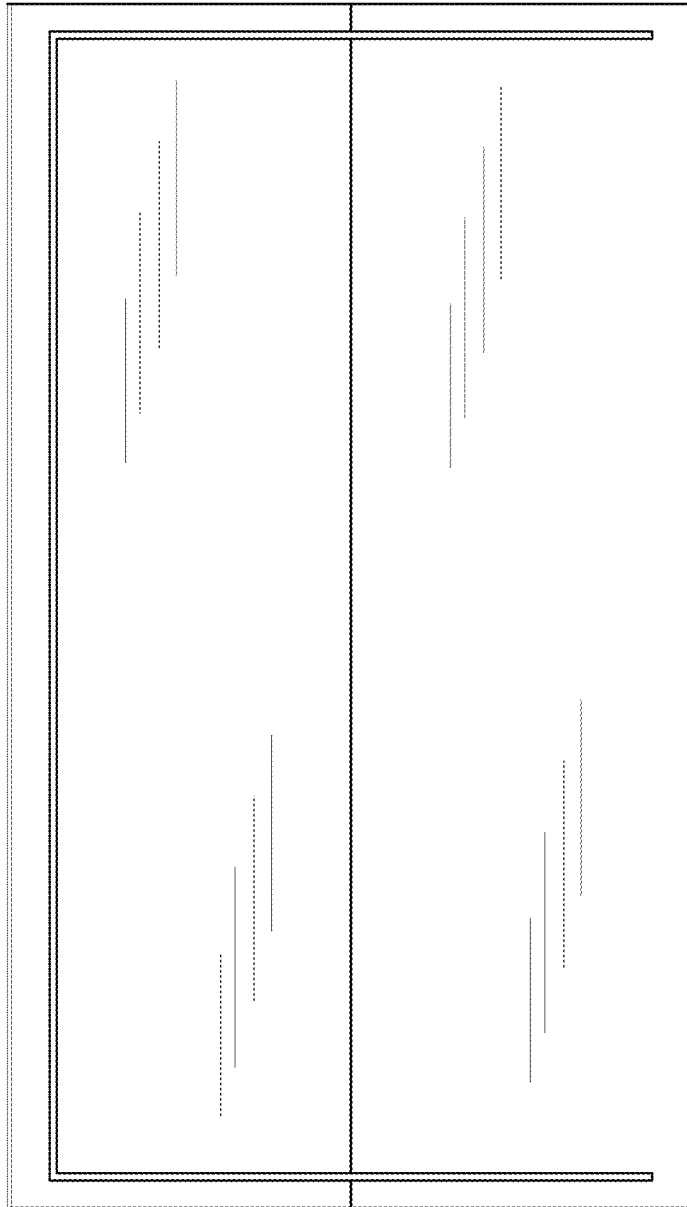


FIG. 4

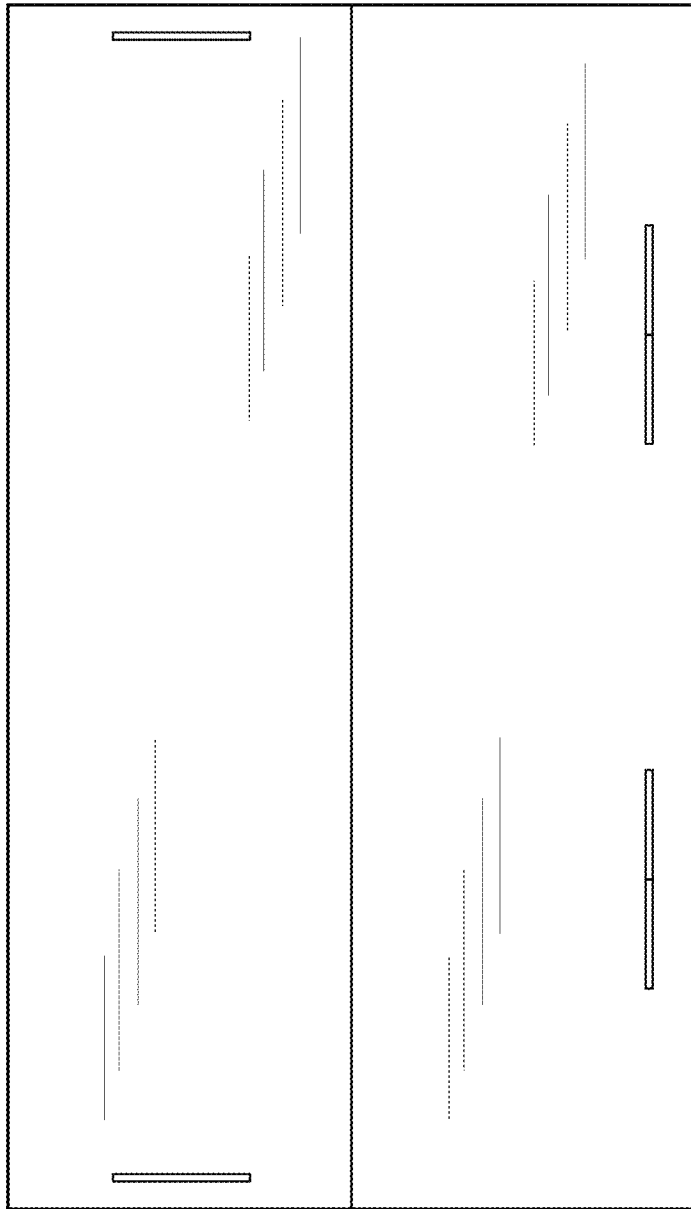


FIG. 5

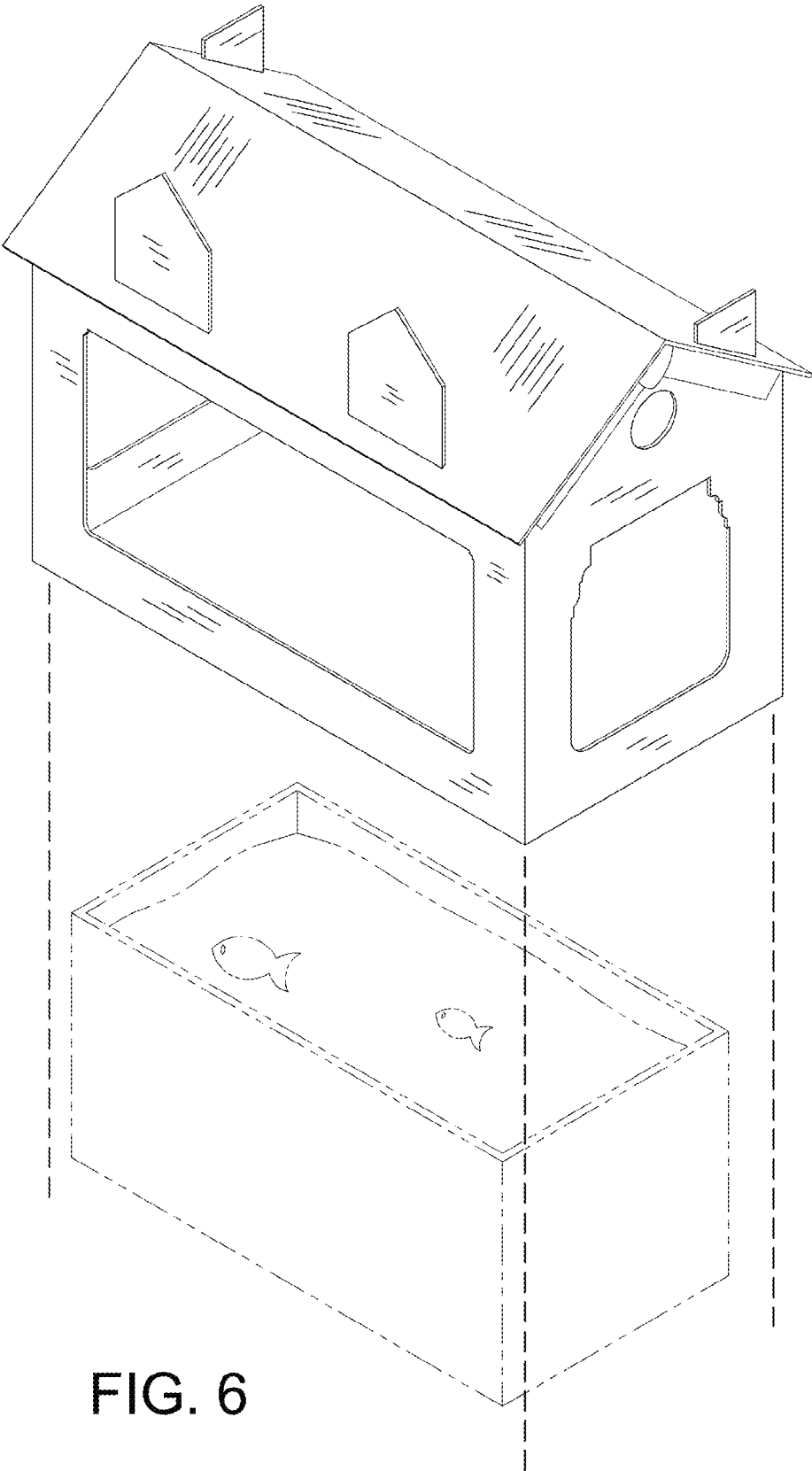


FIG. 6