

(19) World Intellectual Property Organization
International Bureau



(43) International Publication Date
27 December 2007 (27.12.2007)

PCT

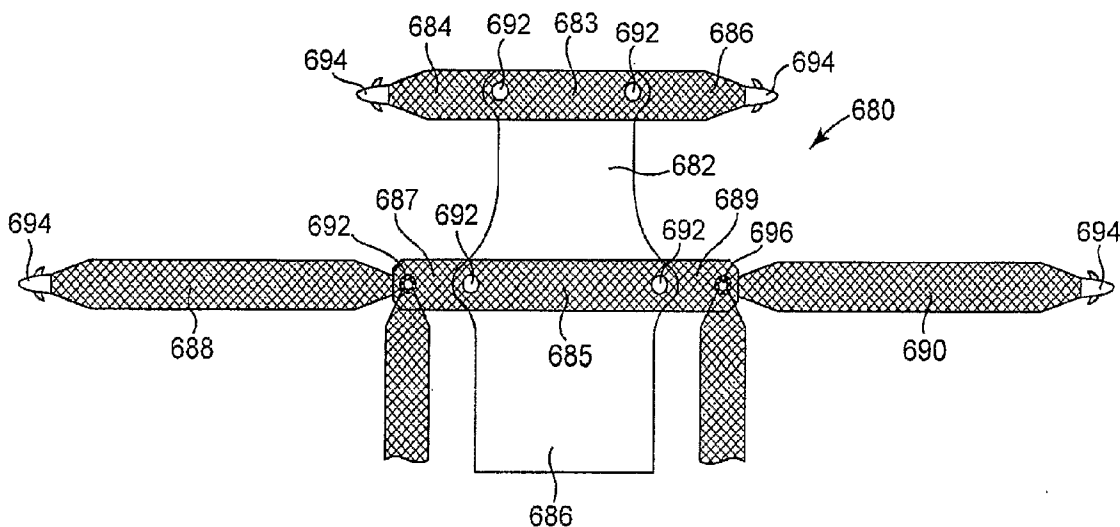
(10) International Publication Number
WO 2007/149348 A3

- (51) International Patent Classification:
A61F 2/00 (2006.01) A61B 17/06 (2006.01)
- (21) International Application Number:
PCT/US2007/014120
- (22) International Filing Date: 15 June 2007 (15.06.2007)
- (25) Filing Language: English
- (26) Publication Language: English
- (30) Priority Data:
60/805,040 16 June 2006 (16.06.2006) US
60/863,055 26 October 2006 (26.10.2006) US
60/897,697 26 January 2007 (26.01.2007) US
- (71) Applicant (for all designated States except US): AMS RESEARCH CORPORATION [US/US]; 10700 Bren Road West, Minnetonka, Minnesota 55343 (US).
- (72) Inventors; and
- (75) Inventors/Applicants (for US only): DOCKENDORF, Kelly, Ann [US/US]; 838 Van Dyke, St. Paul, Minnesota 55119 (US). KALETA, Richard [US/US]; 200 Nathan Lane North, Apt. 322A, Plymouth, Minnesota 55441 (US). KHAMIS, Chaouki, A. [US/US]; 4307 West 44th Street, Edina, Minnesota 55424 (US). MONTPETIT, Karen, Pilney [US/US]; 1711 Lilac Lane, Mendota Heights, Minnesota 55118 (US). OGD AHL, Jason [US/US]; 3918 Xerxes Avenue North, Minneapolis, Minnesota 55412 (US). O'HERN, Jeffrey, Michael [US/US]; 5900 Wolfberry Lane, Golden Valley, Minnesota 55422 (US). OTTE,

- John, F. [US/US]; 2521 Pahl Avenue, St. Anthony, Minnesota 55418 (US). ROLL, Jessica, L. [US/US]; 10551 Greenbrier Road #119, Minnetonka, Minnesota 55305 (US). WOLFE, Steven, James [US/US]; 1094 Scarborough Lane, Woodbury, Minnesota 55125 (US).
- (74) Agent: SCHULTE, Daniel, C.; Kagan Binder, PLLc, Suite 200, Maple Island Building, 221 Main Street North, Stillwater, Minnesota 55082, (US).
- (81) Designated States (unless otherwise indicated, for every kind of national protection available): AE, AG, AL, AM, AT, AU, AZ, BA, BB, BG, BH, BR, BW, BY, BZ, CA, CH, CN, CO, CR, CU, CZ, DE, DK, DM, DO, DZ, EC, EE, EG, ES, FI, GB, GD, GE, GH, GM, GT, HN, HR, HU, ID, IL, IN, IS, JP, KE, KG, KM, KN, KP, KR, KZ, LA, LC, LK, LR, LS, LT, LU, LY, MA, MD, ME, MG, MK, MN, MW, MX, MY, MZ, NA, NG, NI, NO, NZ, OM, PG, PH, PL, PT, RO, RS, RU, SC, SD, SE, SG, SK, SL, SM, SV, SY, TJ, TM, TN, TR, TT, TZ, UA, UG, US, UZ, VC, VN, ZA, ZM, ZW.
- (84) Designated States (unless otherwise indicated, for every kind of regional protection available): ARIPO (BW, GH, GM, KE, LS, MW, MZ, NA, SD, SL, SZ, TZ, UG, ZM, ZW), Eurasian (AM, AZ, BY, KG, KZ, MD, RU, TJ, TM), European (AT, BE, BG, CH, CY, CZ, DE, DK, EE, ES, FI, FR, GB, GR, HU, IE, IS, IT, LT, LU, LV, MC, MT, NL, PL, PT, RO, SE, SI, SK, TR), OAPI (BF, BJ, CF, CG, CI, CM, GA, GN, GQ, GW, ML, MR, NE, SN, TD, TG).

[Continued on next page]

(54) Title: SURGICAL IMPLANTS AND TOOLS FOR TREATING PELVIC CONDITIONS



(57) Abstract: Described are pelvic implants (e.g., urinary incontinence sling, hammock, etc.) that provide treatment for pelvic floor disorders such as incontinence, stress urinary incontinence, prolapse (e.g., cystocele, enterocele, rectocele, vault prolapse), fecal incontinence, and the like, wherein the implant involves the ability to adjust dimensions of an implant before, during, or after implantation. In a preferred embodiment the implant (680) comprises a support portion piece (682) and an extension portion piece (688, 690) adjustably connected to the support portion piece through a frictional adjusting element (696) comprising an aperture through which a segment of extension portion extends.

WO 2007/149348 A3



Published:

- *with international search report*
- *before the expiration of the time limit for amending the claims and to be republished in the event of receipt of amendments*

(88) Date of publication of the international search report:
5 June 2008

INTERNATIONAL SEARCH REPORT

International application No
PCT/US2007/014120

A. CLASSIFICATION OF SUBJECT MATTER
INV. A61F2/00 A61B17/06

According to International Patent Classification (IPC) or to both national classification and IPC

B. FIELDS SEARCHED

Minimum documentation searched (classification system followed by classification symbols)
A61F A61B

Documentation searched other than minimum documentation to the extent that such documents are included in the fields searched

Electronic data base consulted during the international search (name of data base and, where practical, search terms used)
EPO-Internal

C. DOCUMENTS CONSIDERED TO BE RELEVANT

Category*	Citation of document, with indication, where appropriate, of the relevant passages	Relevant to claim No.
X Y X	<p>WO 2005/122954 A (BOSTON SCIENT SCIMED INC [US]) 29 December 2005 (2005-12-29)</p> <p>page 2, lines 10-14; figures 6A-14B,24C page 5, line 26 - page 8, line 23 page 17, line 27 - page 20, line 14 page 32, line 3 - page 39, line 21</p> <p>-----</p> <p>WO 03/034891 A (T A G MEDICAL PRODUCTS LTD [IL]; SKIBA JEFFRY B [US]; OREN RAN [IL]; M) 1 May 2003 (2003-05-01) page 13, line 4 - page 14, line 30; figures 1,2,9a-11b</p> <p>-----</p> <p style="text-align: center;">-/--</p>	<p>1-14, 16-18, 20,21 19,22</p> <p>1-15,21</p>

Further documents are listed in the continuation of Box C. See patent family annex.

* Special categories of cited documents :

<p>*A* document defining the general state of the art which is not considered to be of particular relevance</p> <p>*E* earlier document but published on or after the international filing date</p> <p>*L* document which may throw doubts on priority claim(s) or which is cited to establish the publication date of another citation or other special reason (as specified)</p> <p>*O* document referring to an oral disclosure, use, exhibition or other means</p> <p>*P* document published prior to the international filing date but later than the priority date claimed</p>	<p>*T* later document published after the international filing date or priority date and not in conflict with the application but cited to understand the principle or theory underlying the invention</p> <p>*X* document of particular relevance; the claimed invention cannot be considered novel or cannot be considered to involve an inventive step when the document is taken alone</p> <p>*Y* document of particular relevance; the claimed invention cannot be considered to involve an inventive step when the document is combined with one or more other such documents, such combination being obvious to a person skilled in the art.</p> <p>*Z* document member of the same patent family</p>
--	--

Date of the actual completion of the international search 30 November 2007	Date of mailing of the international search report 14/04/2008
--	---

Name and mailing address of the ISA/ European Patent Office, P.B. 5813 Patentlaan 2 NL - 2280 HV Rijswijk Tel. (+31-70) 340-2040, Tx. 31 651 epo nl, Fax: (+31-70) 340-3016	Authorized officer Portoni, Luisa
---	---

INTERNATIONAL SEARCH REPORT

International application No
PCT/US2007/014120

C(Continuation). DOCUMENTS CONSIDERED TO BE RELEVANT		
Category*	Citation of document, with indication, where appropriate, of the relevant passages	Relevant to claim No.
X	WO 02/30293 A (GYNE IDEAS LTD [GB]; BROWNING JAMES [GB]) 18 April 2002 (2002-04-18) page 4, lines 21-31 page 10, line 4 - page 13, line 10 page 29, line 20 - page 32, line 17; figures 1-9	1-15,21
Y	WO 02/38079 A (ETHICON GMBH [DE]; MIGLIARI ROBERTO [IT]) 16 May 2002 (2002-05-16) page 3, line 14 - page 4, line 4; figures 1,2 page 8, lines 6-13	19,22
P,X	WO 2007/016698 A (BARD INC C R [US]; EVANS DOUG [US]) 8 February 2007 (2007-02-08) page 14, line 17 - page 15, line 6; figures 13,18	1,11,12, 17-22
P,X	WO 2007/059199 A (BARD INC C R [US]; EVANS DOUG [US]) 24 May 2007 (2007-05-24) abstract; figures 1-3	1-22

FURTHER INFORMATION CONTINUED FROM PCT/ISA/ 210

Continuation of Box II.1

Claims Nos.: 38-43.

Methods of treating a pelvic condition according to claims 38-43 of the present international application include surgical steps. Therefore, claims 38-43 relate to subject-matter considered by this Authority to be covered by the provisions of Rule 39.1(iv) PCT, and no International Search Report will be established with respect to the subject-matter of these claims (Article 17(2)(a)(i) PCT).

INTERNATIONAL SEARCH REPORT

International application No.
PCT/US2007/014120

Box No. II Observations where certain claims were found unsearchable (Continuation of item 2 of first sheet)

This international search report has not been established in respect of certain claims under Article 17(2)(a) for the following reasons:

1. Claims Nos.: 38-43
because they relate to subject matter not required to be searched by this Authority, namely:
see FURTHER INFORMATION sheet PCT/ISA/210
2. Claims Nos.:
because they relate to parts of the international application that do not comply with the prescribed requirements to such an extent that no meaningful international search can be carried out, specifically:
3. Claims Nos.:
because they are dependent claims and are not drafted in accordance with the second and third sentences of Rule 6.4(a).

Box No. III Observations where unity of invention is lacking (Continuation of item 3 of first sheet)

This International Searching Authority found multiple inventions in this international application, as follows:

see additional sheet

1. As all required additional search fees were timely paid by the applicant, this international search report covers all searchable claims.
2. As all searchable claims could be searched without effort justifying an additional fees, this Authority did not invite payment of additional fees.
3. As only some of the required additional search fees were timely paid by the applicant, this international search report covers only those claims for which fees were paid, specifically claims Nos.:
4. No required additional search fees were timely paid by the applicant. Consequently, this international search report is restricted to the invention first mentioned in the claims; it is covered by claims Nos.:

see additional sheet(s)

Remark on Protest

- The additional search fees were accompanied by the applicant's protest and, where applicable, the payment of a protest fee.
- The additional search fees were accompanied by the applicant's protest but the applicable protest fee was not paid within the time limit specified in the invitation.
- No protest accompanied the payment of additional search fees.

FURTHER INFORMATION CONTINUED FROM PCT/ISA/ 210

This International Searching Authority found multiple (groups of) inventions in this international application, as follows:

1. claims: 1-22

a multi-piece pelvic implant comprising a support portion piece and an extension portion piece adjustably connected to the support portion piece

2. claim: 23

a surgical implant for treating a pelvic condition comprising a tissue support portion including multiple layers of material and an extension portion

3. claims: 24-25

a surgical implant for treating a pelvic condition comprising a tissue support portion and an extension portion with a tissue fastener at a distal end of the extension portion

4. claims: 26-29

a surgical implant comprising a support portion, an extension portion and a self-fixating tip, and a tool to install the implant comprising a finger cot and an end tip to engage the self-fixating tip of the implant

5. claims: 30-32

a surgical implant comprising a support portion, an extension portion, and a self-fixating tip and a tool to install the implant comprising a handle and an elongated curved shaft comprising an end tip to engage the self-fixating tip of the implant

6. claims: 33-34

a surgical implant comprising a support portion, an extension portion and a self-fixating tip, and a tool to install the implant comprising a handle, an elongated shaft and a pivoting loop portion comprising a tip to engage the self-fixating tip of the implant

7. claims: 35-37

a surgical tool to implant a pelvic implant, the tool comprising a handle, a cannula, and a shape memory wire

FURTHER INFORMATION CONTINUED FROM PCT/ISA/ 210

INTERNATIONAL SEARCH REPORT

Information on patent family members

International application No

PCT/US2007/014120

Patent document cited in search report		Publication date	Patent family member(s)	Publication date
WO 2005122954	A	29-12-2005	AU 2005254105	A1 29-12-2005
			CA 2570305	A1 29-12-2005
			EP 1765218	A1 28-03-2007
			US 2006089525	A1 27-04-2006
WO 03034891	A	01-05-2003	AU 2002339710	A1 06-05-2003
			EP 1453436	A2 08-09-2004
			US 2003078468	A1 24-04-2003
WO 0230293	A	18-04-2002	AT 337730	T 15-09-2006
			AU 9571701	A 22-04-2002
			CA 2427882	A1 18-04-2002
			DE 60122756	T2 13-09-2007
			EP 1324705	A1 09-07-2003
			ES 2271077	T3 16-04-2007
			GB 2382993	A 18-06-2003
			US 2006041185	A1 23-02-2006
			US 2003191360	A1 09-10-2003
WO 0238079	A	16-05-2002	AT 268146	T 15-06-2004
			AU 2952502	A 21-05-2002
			CA 2428652	A1 16-05-2002
			CN 1486164	A 31-03-2004
			DE 10056169	A1 06-06-2002
			DK 1333776	T3 27-09-2004
			EP 1333776	A2 13-08-2003
			ES 2222403	T3 01-02-2005
			JP 2004522470	T 29-07-2004
			US 2004116774	A1 17-06-2004
WO 2007016698	A	08-02-2007	AU 2006275350	A1 08-02-2007
WO 2007059199	A	24-05-2007	NONE	