



US00D500342S

(12) **United States Design Patent**
Stewart et al.

(10) **Patent No.:** US D500,342 S

(45) **Date of Patent:** ** Dec. 28, 2004

- (54) **MEDICAL LABEL SHEET**
- (75) Inventors: **Thomas R. Stewart**, Brentwood, TN (US); **Brian D. Moyer**, Brentwood, TN (US)
- (73) Assignee: **PHG Technologies**, Brentwood, TN (US)
- (**) Term: **14 Years**
- (21) Appl. No.: **29/204,574**
- (22) Filed: **Apr. 30, 2004**

Related U.S. Application Data

- (63) Continuation-in-part of application No. 09/952,425, filed on Sep. 14, 2001.
- (51) **LOC (7) Cl.** **19-08**
- (52) **U.S. Cl.** **D20/27**
- (58) **Field of Search** D20/22, 27, 99; D19/1-2; 40/360, 630, 633, 638, 675; 206/232, 459.5; 283/67, 75, 81, 101, 900; 428/42.3

References Cited

U.S. PATENT DOCUMENTS

1,172,010 A	2/1916	Cooke	
D127,317 S	* 5/1941	Close	D19/1
3,970,397 A	7/1976	Armstrong	
4,191,402 A	3/1980	Michlin	
4,314,415 A	2/1982	De Woskin	
4,334,771 A	6/1982	Ryan, Jr.	
4,637,635 A	* 1/1987	Levine	283/101
4,876,131 A	* 10/1989	Ashby et al.	428/42.3
D312,654 S	* 12/1990	Giordano	D19/1
5,026,084 A	6/1991	Pasfield	
5,048,870 A	9/1991	Mangini et al.	
D345,584 S	* 3/1994	Gollon	D20/22
5,328,208 A	7/1994	Garrison	
5,370,420 A	* 12/1994	Khatib et al.	283/81
5,401,110 A	3/1995	Neeley	
5,433,546 A	7/1995	Kershaw	

5,653,472 A	8/1997	Huddleston et al.	
5,673,944 A	10/1997	Walker et al.	
D391,991 S	* 3/1998	Conner	D20/10
5,752,722 A	5/1998	Moore et al.	
5,799,981 A	* 9/1998	Tung et al.	283/56
5,967,559 A	10/1999	Abramowitz	
5,979,941 A	11/1999	Mosher et al.	
6,000,160 A	* 12/1999	Riley	40/633
6,007,104 A	12/1999	Draper	
6,016,618 A	1/2000	Attia et al.	
6,036,231 A	3/2000	Foote et al.	
D423,044 S	* 4/2000	Burke et al.	D19/1
6,067,739 A	5/2000	Riley	
6,086,108 A	7/2000	Rosenberger	
6,135,507 A	10/2000	Hamby et al.	
6,140,936 A	10/2000	Armstrong	
6,152,493 A	11/2000	Draper	
6,167,679 B1	1/2001	Horton-Steidle et al.	
D448,404 S	* 9/2001	Hamilton et al.	D19/1
6,364,366 B1	4/2002	Schwartz	
6,403,188 B1	* 6/2002	Donahue	428/40.1
6,438,881 B1	* 8/2002	Riley	40/633
D471,933 S	3/2003	Hodsdon et al.	
D473,264 S	4/2003	Sanford et al.	
D476,031 S	6/2003	Hodsdon et al.	
2001/0015553 A1	8/2001	Herrerros Rodriguez	
2001/0017817 A1	8/2001	De La Huerga	

* cited by examiner

Primary Examiner—Robert M. Spear
(74) *Attorney, Agent, or Firm*—Wyatt, Tarrant & Combs, LLP

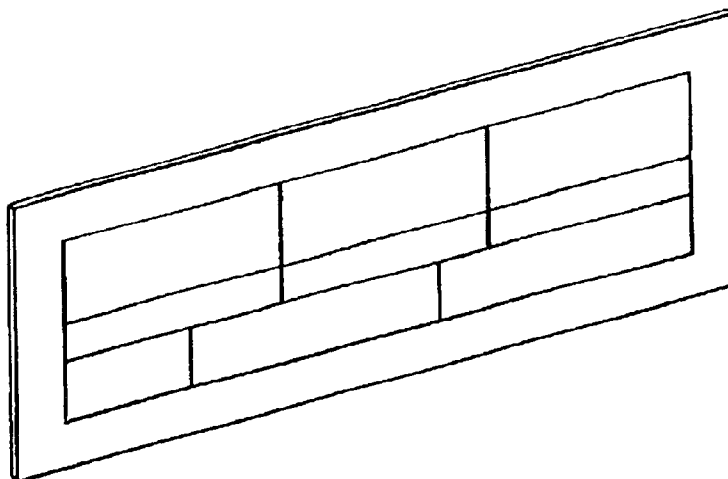
(57) **CLAIM**

The ornamental design for a medical label sheet, as shown.

DESCRIPTION

FIG. 1 is a front view of medical label sheet of the present invention; and, FIG. 2 is a perspective view of the medical label sheet of FIG. 1.

1 Claim, 1 Drawing Sheet



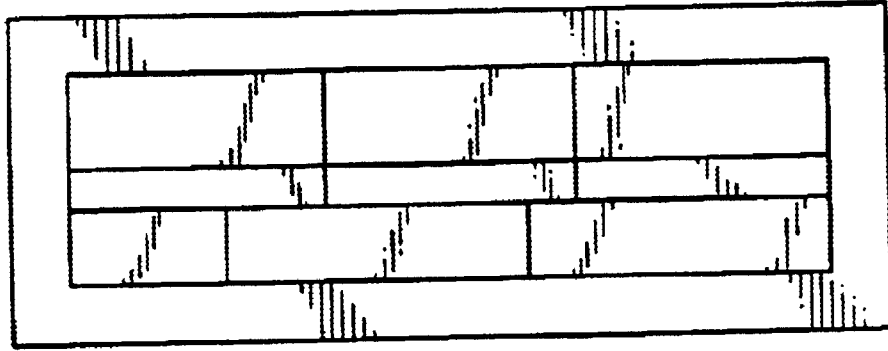


FIG. 1

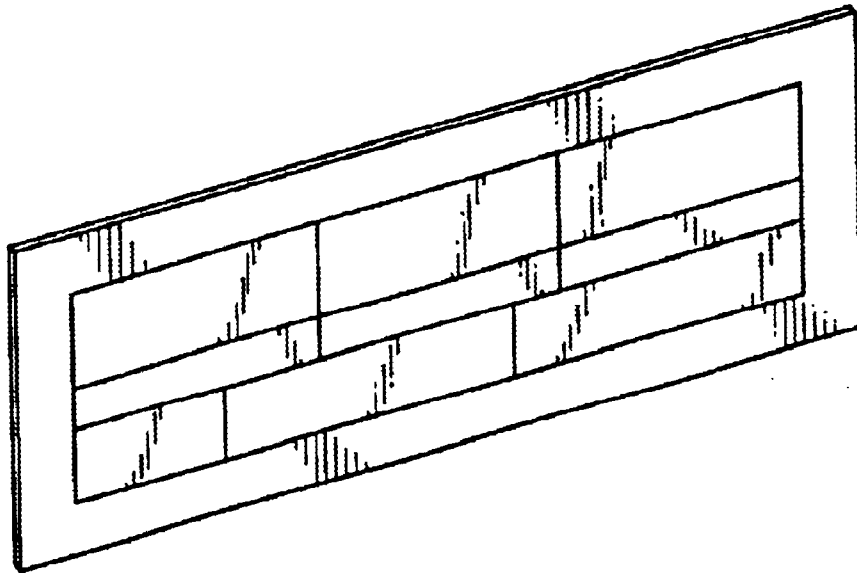


FIG. 2