

(19) World Intellectual Property Organization
International Bureau



(43) International Publication Date
27 October 2011 (27.10.2011)

(10) International Publication Number
WO 2011/133437 A3

(51) International Patent Classification:
B67D 7/06 (2010.01) **B65D 33/36** (2006.01)
F16K 31/00 (2006.01)

(21) International Application Number:
PCT/US2011/032808

(22) International Filing Date:
16 April 2011 (16.04.2011)

(25) Filing Language: English

(26) Publication Language: English

(30) Priority Data:
61/325,443 19 April 2010 (19.04.2010) US

(71) Applicants (for all designated States except US): **ATMI BVBA** [BE/BE]; Reugelstraat 2, B-3320 Hoegaarden (BE). **ATMI PACKAGING, INC.** [US/US]; 7 Commerce Drive, Danbury, CT 06810 (US).

(72) Inventors; and

(75) Inventors/Applicants (for US only): **PETHE, Vishwas** [IN/US]; 1668 Philipp Way, Shakopee, MN 55379 (US). **KUSZ, Matthew** [US/US]; 4348 34th Avenue South, Minneapolis, MN 55406 (US). **STIERS, Sven** [BE/BE]; Mignoletstraat 11, B-3400 Wange (BE). **VANHAMEL, Steven** [BE/BE]; Velmerlaan 53, B-3806 Velm (BE).

(74) Agent: **GUSTAFSON, Vincent, K.**; Hultquist IP, PO Box 14329, Research Triangle Park, NC 27709 (US).

(81) Designated States (unless otherwise indicated, for every kind of national protection available): AE, AG, AL, AM, AO, AT, AU, AZ, BA, BB, BG, BH, BR, BW, BY, BZ, CA, CH, CL, CN, CO, CR, CU, CZ, DE, DK, DM, DO, DZ, EC, EE, EG, ES, FI, GB, GD, GE, GH, GM, GT, HN, HR, HU, ID, IL, IN, IS, JP, KE, KG, KM, KN, KP, KR, KZ, LA, LC, LK, LR, LS, LT, LU, LY, MA, MD, ME, MG, MK, MN, MW, MX, MY, MZ, NA, NG, NI, NO, NZ, OM, PE, PG, PH, PL, PT, RO, RS, RU, SC, SD, SE, SG, SK, SL, SM, ST, SV, SY, TH, TJ, TM, TN, TR, TT, TZ, UA, UG, US, UZ, VC, VN, ZA, ZM, ZW.

(84) Designated States (unless otherwise indicated, for every kind of regional protection available): ARIPO (BW, GH, GM, KE, LR, LS, MW, MZ, NA, SD, SL, SZ, TZ, UG, ZM, ZW), Eurasian (AM, AZ, BY, KG, KZ, MD, RU, TJ, TM), European (AL, AT, BE, BG, CH, CY, CZ, DE, DK, EE, ES, FI, FR, GB, GR, HR, HU, IE, IS, IT, LT, LU, LV, MC, MK, MT, NL, NO, PL, PT, RO, RS, SE, SI, SK, SM, TR), OAPI (BF, BJ, CF, CG, CI, CM, GA, GN, GQ, GW, ML, MR, NE, SN, TD, TG).

Published:

- with international search report (Art. 21(3))
- before the expiration of the time limit for amending the claims and to be republished in the event of receipt of amendments (Rule 48.2(h))

(88) Date of publication of the international search report:
23 February 2012

(54) Title: DRAIN CONNECTOR FOR FLUID PROCESSING AND STORAGE CONTAINERS

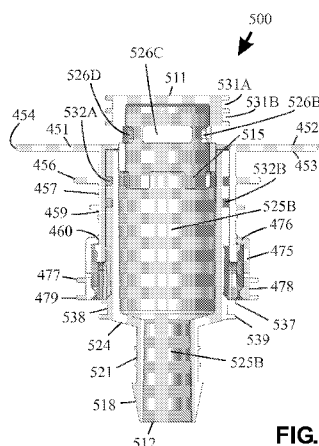


FIG. 9B

(57) Abstract: A selectively closeable drain connector includes a hollow body or plunger moveable relative to a bore-defining drain flange. A locking element may be arranged to maintain the hollow body relative to the drain flange in one or more desired positions. At least one sealed jacket may extend between exterior portions of the drain flange and the hollow body to provide a barrier arranged to inhibit passage of contaminants to sealing surfaces along which the hollow body travels relative to the drain flange. The drain connector may be joined to a container, such as a tank, bag, vessel, or other receptacle for material storage and/or processing.

WO 2011/133437 A3

INTERNATIONAL SEARCH REPORT

International application No.
PCT/US2011/032808**A. CLASSIFICATION OF SUBJECT MATTER****B67D 7/06(2010.01)i, F16K 31/00(2006.01)i, B65D 33/36(2006.01)i**

According to International Patent Classification (IPC) or to both national classification and IPC

B. FIELDS SEARCHED

Minimum documentation searched (classification system followed by classification symbols)

B67D 7/06; B65D 83/00; B67D 3/00; B67D 1/04; B60S 5/00; A01G 25/02; B67D 5/04; A01G 27/04

Documentation searched other than minimum documentation to the extent that such documents are included in the fields searched

Korean utility models and applications for utility models
Japanese utility models and applications for utility models

Electronic data base consulted during the international search (name of data base and, where practicable, search terms used)

eKOMPASS(KIPO internal) & Keywords: drain, connector, flange, sealing, locking

C. DOCUMENTS CONSIDERED TO BE RELEVANT

Category*	Citation of document, with indication, where appropriate, of the relevant passages	Relevant to claim No.
X A	JP 2007-204102 A (TOKYO OHKA KOGYO CO LTD et al.) 16 August 2007 See the pages 7-9, claims 1-2 and figs. 1-2.	1-4, 8, 9, 11, 12 , 13-18 5-7, 10, 19
A	JP 09-002593 A (YAMADA CORP) 07 January 1997 See the pages 3-4, claims 1-2 and figs. 1-2.	1-19
A	JP 06-100087 A (NOW TECHNOLOGIES INC) 12 April 1994 See the pages 5-6, claims 1-2 and figs. 1-2.	1-19
A	JP 2006-311866 A (ARITA NORIHIKO) 16 November 2006 See the pages 10-12, claims 1-2 and figs. 4-5.	1-19

 Further documents are listed in the continuation of Box C. See patent family annex.

* Special categories of cited documents:

"A" document defining the general state of the art which is not considered to be of particular relevance

"E" earlier application or patent but published on or after the international filing date

"L" document which may throw doubts on priority claim(s) or which is cited to establish the publication date of citation or other special reason (as specified)

"O" document referring to an oral disclosure, use, exhibition or other means

"P" document published prior to the international filing date but later than the priority date claimed

"T" later document published after the international filing date or priority date and not in conflict with the application but cited to understand the principle or theory underlying the invention

"X" document of particular relevance; the claimed invention cannot be considered novel or cannot be considered to involve an inventive step when the document is taken alone

"Y" document of particular relevance; the claimed invention cannot be considered to involve an inventive step when the document is combined with one or more other such documents, such combination being obvious to a person skilled in the art

"&" document member of the same patent family

Date of the actual completion of the international search

04 JANUARY 2012 (04.01.2012)

Date of mailing of the international search report

05 JANUARY 2012 (05.01.2012)

Name and mailing address of the ISA/KR

Korean Intellectual Property Office
Government Complex-Daejeon, 189 Cheongsu-ro,
Seo-gu, Daejeon 302-701, Republic of Korea

Facsimile No. 82-42-472-7140

Authorized officer

CHOI, Jeon Seok

Telephone No. 82-42-481-8550



INTERNATIONAL SEARCH REPORT

Information on patent family members

International application No.

PCT/US2011/032808

Patent document cited in search report	Publication date	Patent family member(s)	Publication date
JP 2007-204102 A	16.08.2007	CN 101360664 A	04.02.2009
		CN 101360664 B	15.09.2010
		JP 03-914560 B1	16.05.2007
		KR 10-0955979 B1	06.05.2010
		KR20080064892A	09.07.2008
		TW 1312329A	21.07.2009
		US 2009-0020176 A1	22.01.2009
		WO 2007-088661 A1	09.08.2007
JP 09-002593 A	07.01.1997	JP 3579503 B2	20.10.2004
JP 06-100087 A	12.04.1994	AT 160755 T	15.12.1997
		DE 69315511 D1	15.01.1998
		DE 69315511 T2	02.04.1998
		EP 0587412 A2	16.03.1994
		EP 0587412 A3	11.01.1995
		EP 0587412 B1	03.12.1997
		EP 0768983 A1	11.11.1998
		EP 0768983 B1	03.11.1999
		JP 03-464232 B2	22.08.2003
		JP 3464232 B2	05.11.2003
		US 05335821A A	09.08.1994
		US 05435460A A	25.07.1995
		US 05526956A A	18.06.1996
US 05957328A A	28.09.1999		
WO 96-01226 A1	18.01.1996		
JP 2006-311866 A	16.11.2006	JP 03-863540 B2	27.12.2006
		JP 03-967763 B2	29.08.2007
		JP 04-603004 B2	08.10.2010
		JP 2005-185280 A	14.07.2005
		JP 2007-159594 A	28.06.2007
		JP 4603004 B2	22.12.2010