

(12) UK Patent Application (19) GB (11) 2 168 685 A

(43) Application published 25 Jun 1986

(21) Application No 8531270

(22) Date of filing 19 Dec 1985

(30) Priority data

(31) 54213

(32) 21 Dec 1984

(33) IT

(71) Applicant

DOBELL s a s di Domenico Belmondo & C (Italy),
Via Galileo 8, 10070 Mappano-Borgara Torinese, Italy

(72) Inventor

Domenico Belmondo

(74) Agent and/or Address for Service

Carpmaels & Ransford,
43 Bloomsbury Square, London WC1A 2RA

(51) INT CL⁴

B65D 85/28

(52) Domestic classification (Edition H):

B8P E2C

U1S 2258 B8P

(56) Documents cited

GB 1133307

US 4413731

US 3638783

GB 1054910

(58) Field of search

B8P

B8C

B6P

Selected US specifications from IPC sub-class B65D

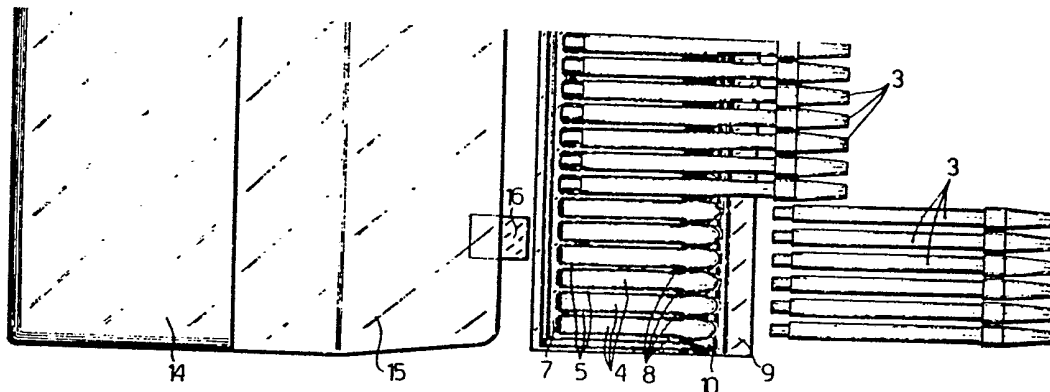
PATENTS ACT 1977

SPECIFICATION NO 2168685A

The following corrections were allowed under Section 117 on
12 August 1986

Front page Heading (71) Applicant
for 10070 Mappano-Borgara Torinese,
read 10070 Mappano-Borgaro Torinese,

THE PATENT OFFICE
1 September 1986



GB 2 168 685 A

(12) UK Patent Application (19) GB (11) 2 168 685 A

(43) Application published 25 Jun 1986

(21) Application No 8531270
(22) Date of filing 19 Dec 1985
(30) Priority data
(31) 54213 (32) 21 Dec 1984 (33) IT

(51) INT CL⁴
B65D 85/28
(52) Domestic classification (Edition H):
B8P E2C
U1S 2258 B8P
(56) Documents cited
GB 1133307 US 4413731 US 3638783
GB 1054910
(58) Field of search
B8P
B8C
B6P
Selected US specifications from IPC sub-class B65D

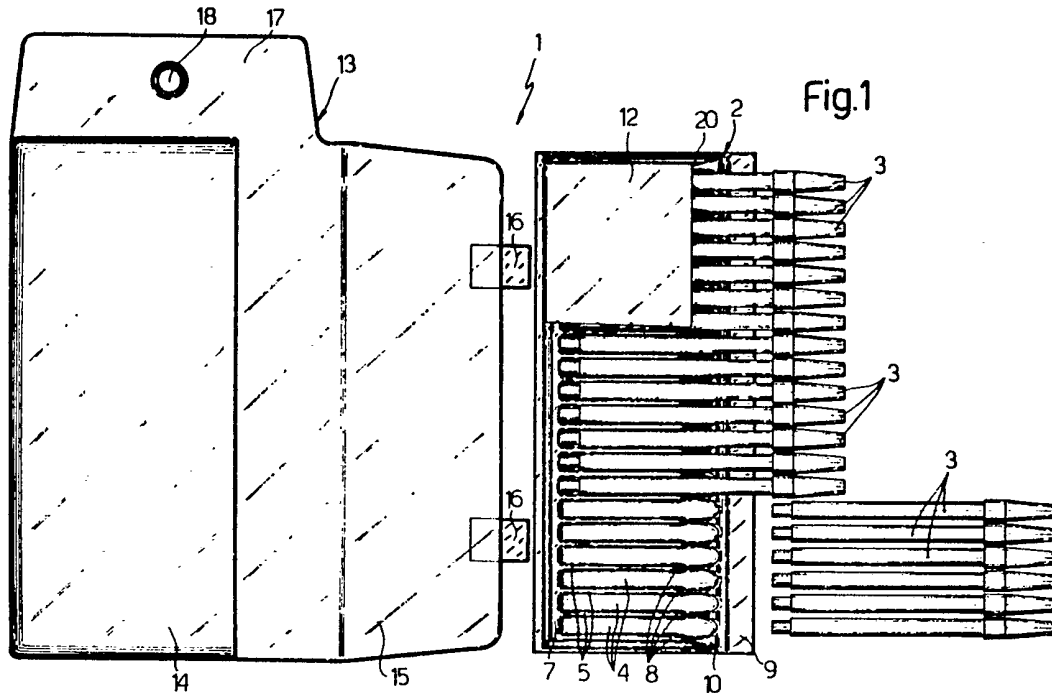
(71) Applicant
DOBELL s s di Domenico Belmondo & C (Italy),
Via Galileo 8, 10070 Mappano-Borgara Torinese, Italy

(72) Inventor
Domenico Belmondo

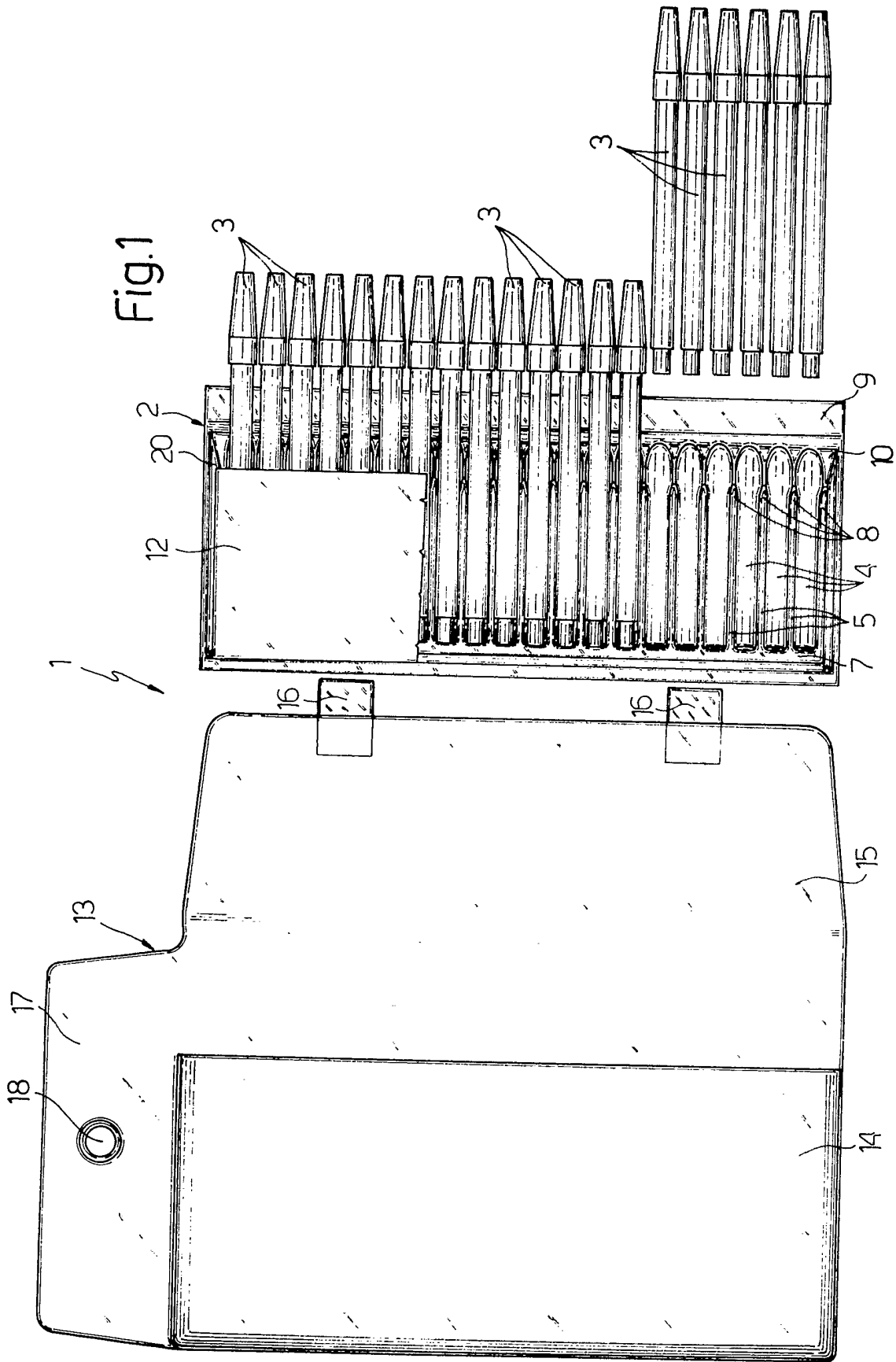
(74) Agent and/or Address for Service
Carpmaels & Ransford,
43 Bloomsbury Square, London WC1A 2RA

(54) Holder for writing implements

(57) A holder (1) for a number of writing implements (3), comprises first means (2) for housing in parallel manner at least a portion of the said implements (3), and reusable second means (13) for containing the said first means (2). The first means (2) is moulded with grooves (4) to grip the implements (3) and hold them stably regardless of the position of the said first means (2).



GB 2 168 685 A



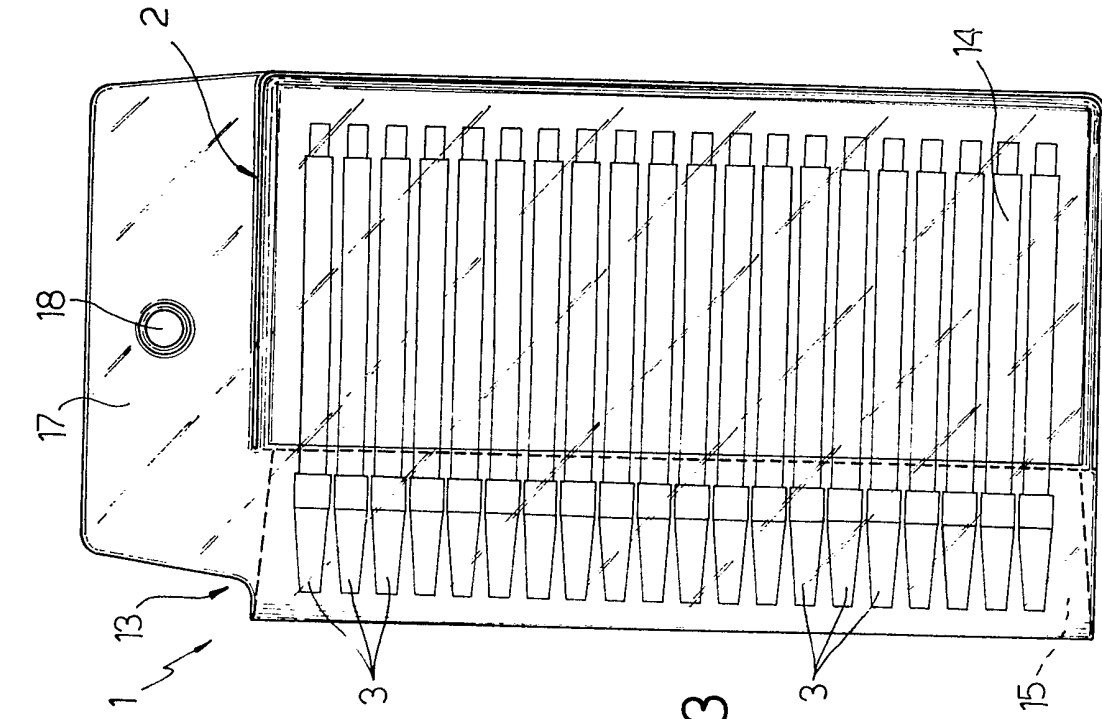


Fig. 3

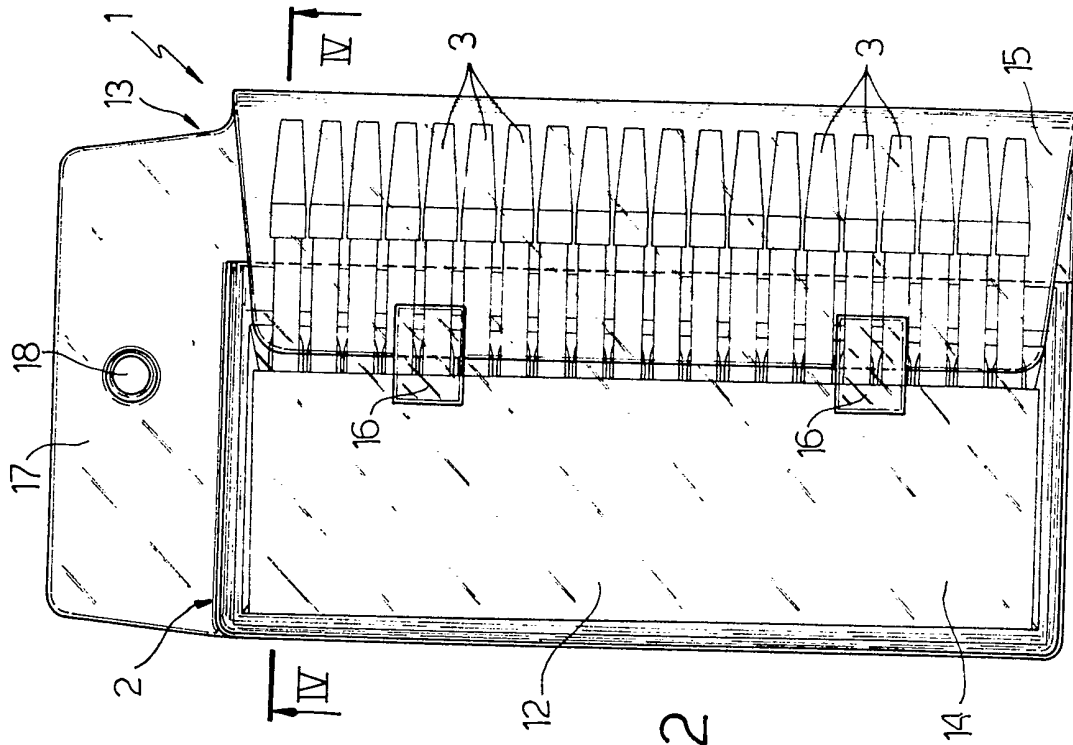


Fig. 2

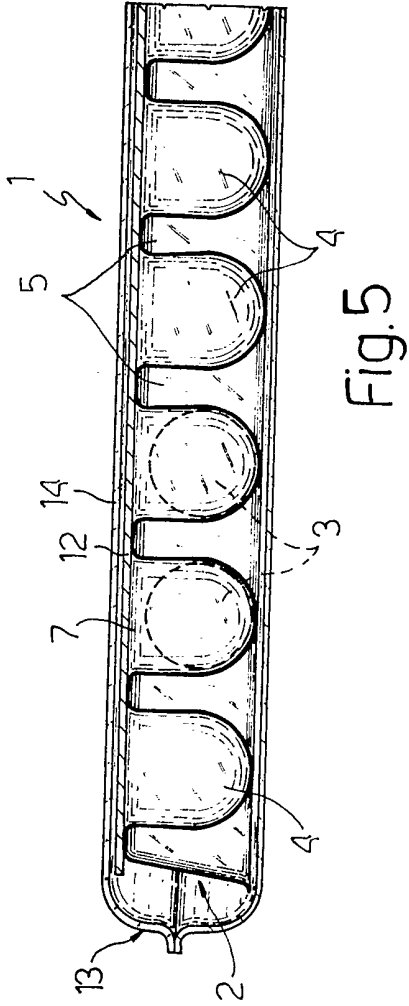


Fig. 5

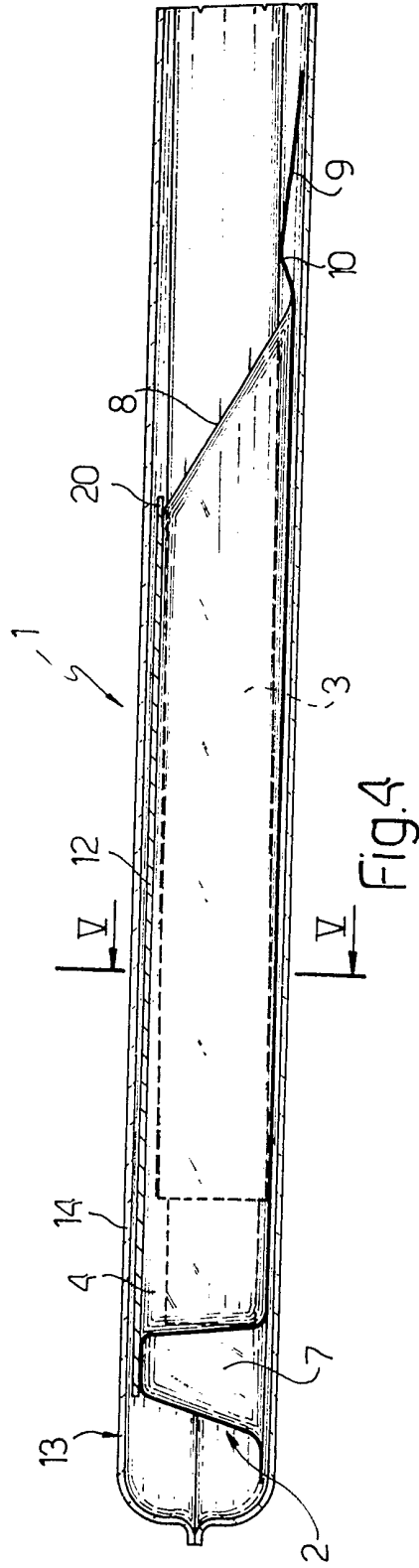


Fig. 4

SPECIFICATION

Holder for a number of writing implements

5 The present invention relates to a holder for a number of writing implements, in particular, of various colours, such as felt pens.

10 Holders of the aforementioned type are currently known to consist of a shaped body, usually made of plastic and defining a number of parallel grooves for simply supporting a portion of the said writing implements. A U-shaped cardboard is then simply placed over a front section and folded about the rear of the said shaped body, and the whole inserted inside a hang-up plastic bag, the latter being transparent only at the front, so as to reveal the short sections, usually coloured, of the said writing implements left uncovered at the front by the said cardboard.

20 Holders of the aforementioned type present a number of drawbacks. First and foremost, the said writing implements simply rest inside the grooves on the said shaped body, so that, when the latter is removed from the plastic bag, the said implements easily tumble out of the grooves into a disorderly pile. Such a drawback is further aggravated by the fact that the cardboard is not secured to the said shaped body.

30 The aim of the present invention is to provide a holder for a number of writing implements involving none of the aforementioned drawbacks, i.e. one enabling the said implements to be removed from the outermost holder while at the same time remaining firmly and orderly lodged inside their respective compartments, and which lends itself more readily to automated mass production.

40 Further aims and advantages of the holder according to the present invention will be disclosed in the forthcoming description.

45 With this aim in view, the present invention relates to a holder for a number of writing implements, comprising first means for housing in parallel manner at least a portion of the said implements, and reusable second means for containing the said first means, characterised by the fact that the said first means ensure the said implements are housed in essentially stable manner regardless of the position of the said first means.

50 A non-limiting arrangement of the present invention will now be described with reference to the attached drawings in which:

55 *Figure 1* shows a partially-sectioned breakdown of the holder according to the present invention;

60 *Figures 2 and 3* show a front and rear view respectively of the Fig. 1 holder;

Figure 4 shows a part section along line IV-IV of the Fig. 2 holder;

Figure 5 shows a part section along line V-V of the Fig. 4 holder.

65 Number 1 in Figs. 1 to 5 indicates a holder

70 according to the present invention and comprising a shaped body 2 conveniently made of transparent plastic and conveniently vacuum formed, for housing in parallel manner a substantial end portion of writing implements 3, the latter conveniently being felt pens of various colours. In more detail, the said shaped body 2 presents an essentially rectangular contour and defines, crosswise in relation to its longer axis, a number of essentially U-section (Fig. 5) parallel grooves 4 forming compartments in which to house in essentially stable manner the said writing implements 3. In more detail, the said grooves 4 provide for slightly forced accommodation of implements 3, in that the inside clearance between dividing walls 5 is slightly less than the diameter of the said implements 3. The said shaped body 2 presents a continuous bottom wall 7 closing off one end of grooves 4, while, at the other open end, dividing walls 5 present end portions of decreasing height 8 and shaped body 8 presents an endpiece 9 with an initial upcurved section 10. The top edges of dividing walls 5 are fitted with a rectangular sheet 12 narrower than shaped body 2 and conveniently consisting of a sheet of cardboard bearing appropriate printing and graphics and which is secured to body 2 by known technical means, e.g. by electronically welding the plastic and board portions. The said cardboard sheet 12 may conveniently be precoated with a hot-glueing substance. The assembly consisting of shaped body 2 fitted with rectangular sheet 12 and felt pens 3 arranged inside parallel grooves 4 is inserted inside holder 13 conveniently made of transparent plastic and comprising a pocket portion 14, a flap portion 15 designed to fold over pocket portion 14 and having rip-off adhesive fasteners 16, and a top portion 17 with a hang-up hole 18.

105 The holder 1 according to the present invention is employed as follows.

110 Felt pens 3 are slightly force fitted inside parallel grooves 4 on shaped body 2, the said grooves 4 also being fitted with rectangular sheet 12 for better defining the housing compartment, and the resulting whole then inserted inside pocket portion 14 on holder 13, over which portion 14 flap 15 is then folded. So arranged, felt pens 3 and the full colour range of the same are visible through the front of holder 13 (the section left uncovered by rectangular sheet 12, as shown in Fig. 2), as well as being fully visible through the back of holder 13 (Fig. 3) by virtue of both holder 13 and shaped body 2 being made of transparent material. The user may therefore open holder 13, as required, and remove body 2, complete with implements 3, from pocket portion 14, the said body 2 being designed in such a manner that it may be handled as required with no danger of implements 3 being dislodged. The latter, in fact, may only be re-

5 moved singly by the user exerting minimum intentional force and withdrawing them by the cap end from the free front portion. In like manner, the user may hold body 2 in one hand, like a paint palette, with no dislodgeable elements, and pick out and replace felt pens 3 of different colours as required. The holder 1 according to the present invention is also suitable for fully-automated manufacture, in that an automatic machine may be employed for producing body 2, positioning and securing rectangular sheet 12, inserting writing implements 3 and inserting the resulting whole inside holder 13 which may also be produced automatically.

10 As shown in Fig. 4, the upcurved section 10 on endpiece 9 provides for slightly raising a centre portion of writing implement 3 which may thus essentially contact an end section 20 of rectangular sheet 12 for further improving light force fitting of writing implements 3 inside grooves 4 on body 2.

20 Furthermore, the height of the said grooves 4 may be slightly less than that of implements 3, thus providing also (or exclusively) for force fitting implements 3 inside grooves 4.

25 To those skilled in the art it will be clear that changes may be made to the holder as described herein without, however, departing from the scope of the present invention. For example, the said writing implements 3 may also be ball-point pens, pencils, fine-tip felt pens, etc. ranging widely in number (e.g. 10, 20, 40, etc.) depending on the type of package required.

CLAIMS

1. Holder for a number of writing implements, comprising first means for housing in parallel manner at least a portion of the said implements, and reusable second means for containing the said first means, characterised by the fact that the said first means ensure the said implements are housed in essentially stable manner regardless of the position of the said first means.

2. Holder according to Claim 1, characterised by the fact that the said first means provide for slightly force-fit accommodation of the said implements.

3. Holder according to Claim 1 or 2, characterised by the fact that the said first means comprise a shaped body having a number of parallel grooves forming compartments in which to house at least a substantial portion of the said implements, the said shaped body leaving parallel end portions of the said implements free for the purpose of withdrawal.

4. Holder according to Claim 3, characterised by the fact that the said grooves present an essentially U-shaped section.

5. Holder according to Claim 3 or 4, characterised by the fact that the inside clearance between walls on the said grooves is slightly less than the width of the said implements

housed in the said grooves.

6. Holder according to one of the foregoing Claims from 3 to 5, characterised by the fact that the height of the said grooves is slightly less than the height of the said implements housed therein.

7. Holder according to one of the foregoing Claims from 3 to 6, characterised by the fact that the height of the said grooves is defined by a sheet secured to the said body over the said grooves.

8. Holder according to Claim 7, characterised by the fact that the said sheet consists of a sheet of cardboard.

9. Holder according to Claim 7 or 8, characterised by the fact that the said sheet is secured to the top edges of the walls on the said grooves.

10. Holder according to one of the foregoing Claims, characterised by the fact that the said body is made of plastic.

11. Holder according to Claim 9 or according to Claim 10 and depending on Claim 9, characterised by the fact that the said sheet is electronically welded to the said edges.

12. Holder according to one of the foregoing Claims from 3 to 11, characterised by the fact that the said body of the said first means and the said second means are made of transparent material.

13. Holder according to one of the foregoing Claims, characterised by the fact that the said second means comprise a close-up holder.

14. Holder according to one of the foregoing Claims, characterised by the fact that the said writing implements are of various colours.

15. Holder according to one of the foregoing Claims, characterised by the fact that the said writing implements comprise at least felt pens and/or ball-point pens and/or pencils.

16. Holder for a number of writing implements substantially as described and illustrated herein with reference to the attached drawings.