

Nov. 26, 1940.

H. MAY

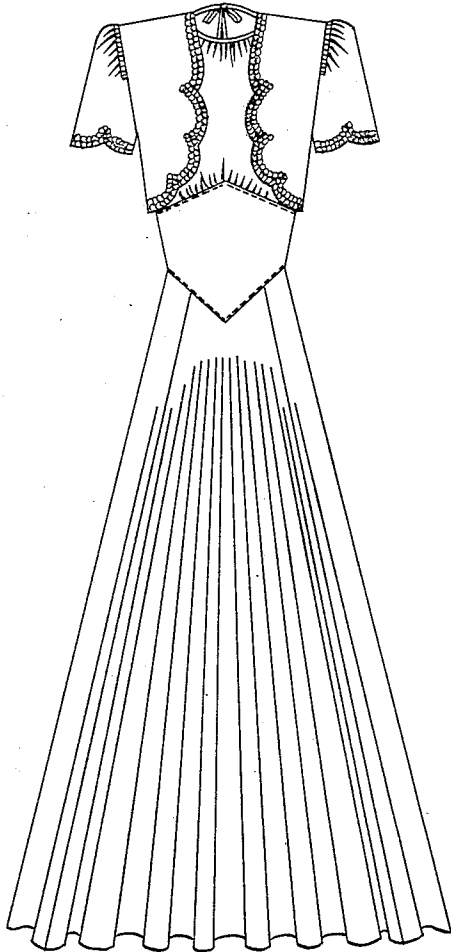
Des. 123,743

DRESS ENSEMBLE OR SIMILAR ARTICLE

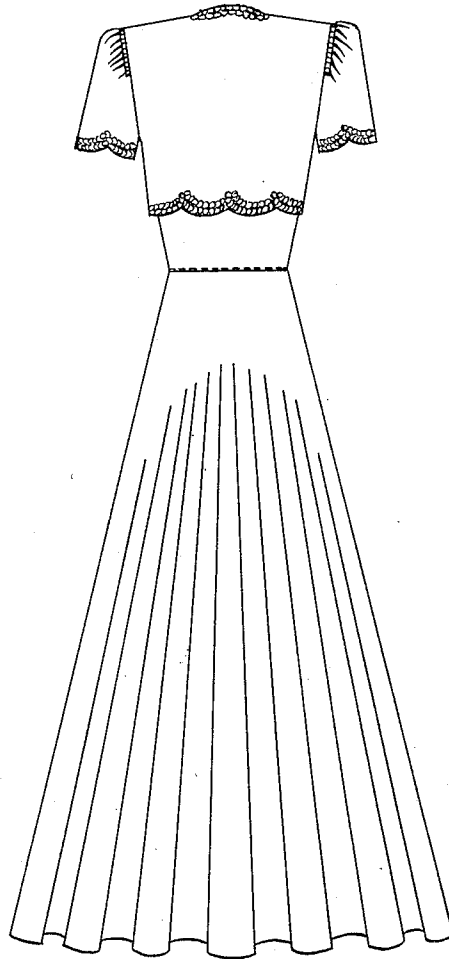
Filed Sept. 18, 1940

2 Sheets-Sheet 1

*Fig. 1.*



*Fig. 2.*



Helen May  
INVENTOR.  
BY Robert C. Alenicoz  
Atty.

Nov. 26, 1940.

H. MAY

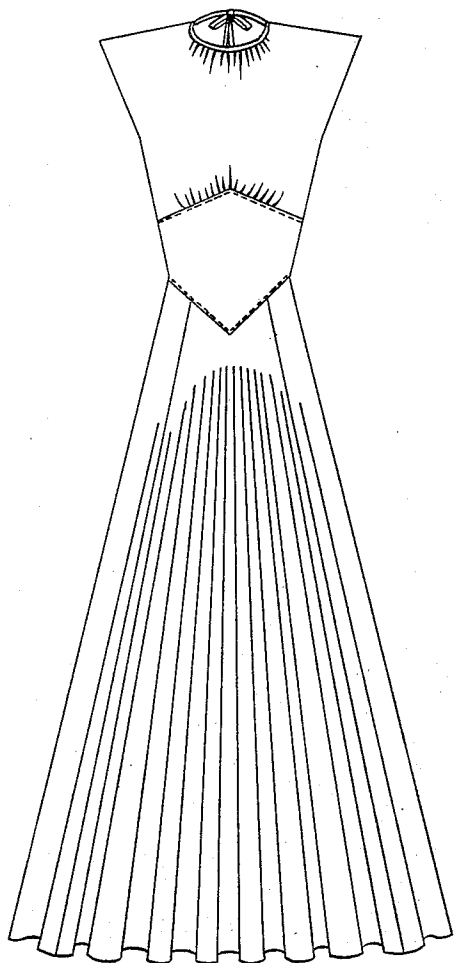
Des. 123,743

DRESS ENSEMBLE OR SIMILAR ARTICLE

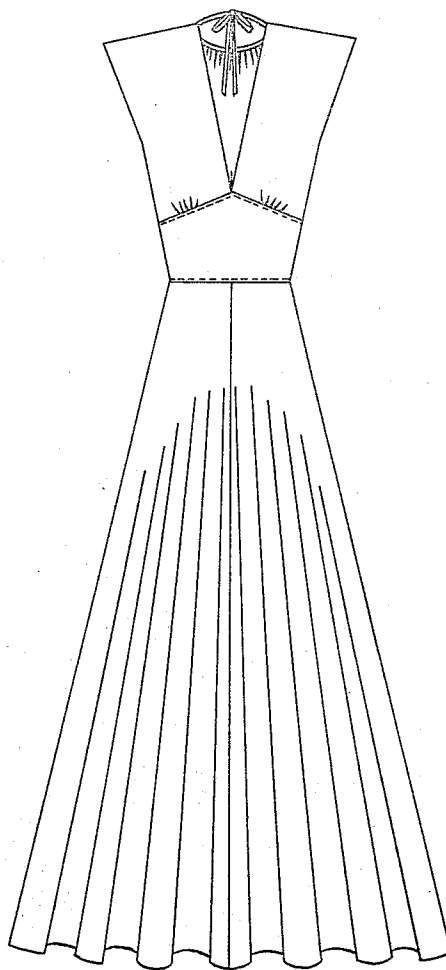
Filed Sept. 18, 1940

2 Sheets-Sheet 2

*Fig. 3.*



*Fig. 4.*



*Helen May*  
INVENTOR.

BY

*Robert L. Remington*  
Atty.

# UNITED STATES PATENT OFFICE

123,743

DESIGN FOR A DRESS ENSEMBLE OR SIMILAR ARTICLE

Helen May, Garden City, N. Y.

Application September 18, 1940, Serial No. 95,188

Term of patent  $3\frac{1}{2}$  years

*To the Commissioner of Patents:*

Be it known that I, Helen May, a citizen of the United States, residing at 56 Nassau Blvd., Garden City, Long Island, in the county of Queens and State of New York, have invented a new, original, and ornamental Design for a Dress Ensemble or Similar Article, of which the following is a specification, reference being had to the accompanying drawings, forming part thereof.

Figure 1 is a front view of a dress ensemble showing my new design;

Figure 2 is a rear view thereof;

Figure 3 is a front view of the dress member of the ensemble shown in Figure 1; and

Figure 4 is a rear view of the dress member.

The trimming appearing on the jacket is composed of sequins.

I claim:

The ornamental design for a dress ensemble or similar article, substantially as shown and described.

HELEN MAY.