



US00D716491S

(12) **United States Design Patent**
Lowery

(10) **Patent No.:** **US D716,491 S**

(45) **Date of Patent:** **** Oct. 28, 2014**

(54) **TABLE LAMP**

(71) Applicant: **Robert Lowery**, Conway, SC (US)

(72) Inventor: **Robert Lowery**, Conway, SC (US)

(**) Term: **14 Years**

(21) Appl. No.: **29/476,743**

(22) Filed: **Dec. 16, 2013**

Related U.S. Application Data

(63) Continuation-in-part of application No. 29/461,647, filed on Jul. 25, 2013, now Pat. No. Des. 700,392.

(51) **LOC (10) Cl.** **26-03**

(52) **U.S. Cl.**
USPC **D26/93**

(58) **Field of Classification Search**
USPC D26/1, 24, 67, 93-94, 104-110;
362/153, 255, 257, 317, 362, 382,
362/410-414, 418, 427, 431, 433, 441
See application file for complete search history.

(56) **References Cited**

U.S. PATENT DOCUMENTS

D509,618 S * 9/2005 Baarman et al. D26/106

D609,392 S * 2/2010 Salatto-Rose D26/93
D681,258 S * 4/2013 Chiang et al. D26/106
D686,361 S * 7/2013 Cho D26/93

* cited by examiner

Primary Examiner — Brian N Vinson

(74) *Attorney, Agent, or Firm* — QuickPatents; Kevin Prince

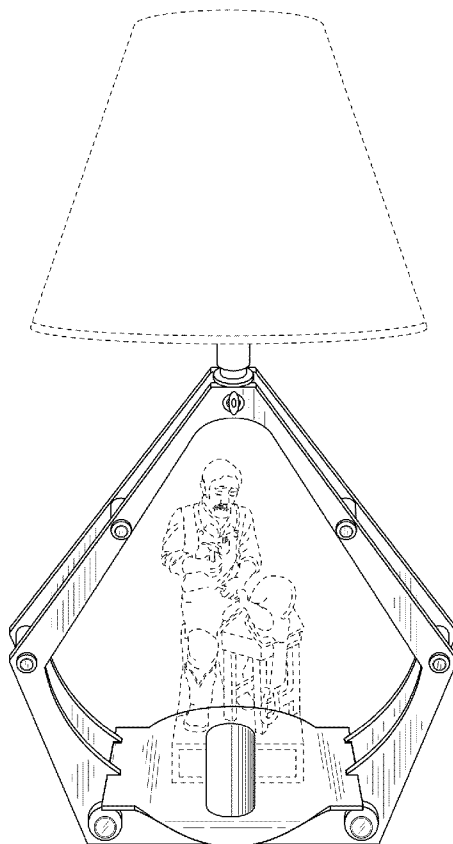
(57) **CLAIM**

I claim the ornamental design for a table lamp, as shown and described.

DESCRIPTION

FIG. 1 is a perspective view of a table lamp, showing my new design;
FIG. 2 is a front elevational view thereof;
FIG. 3 is a rear elevational view thereof;
FIG. 4 is a left-side elevational view thereof, the right-side elevational view being a mirror image thereof;
FIG. 5 is a top plan view thereof; and,
FIG. 6 is a bottom plan view thereof.
The broken lines showing a lamp shade and figurine in FIG. 1 depict environmental matter and form no part of the claimed design.

1 Claim, 3 Drawing Sheets



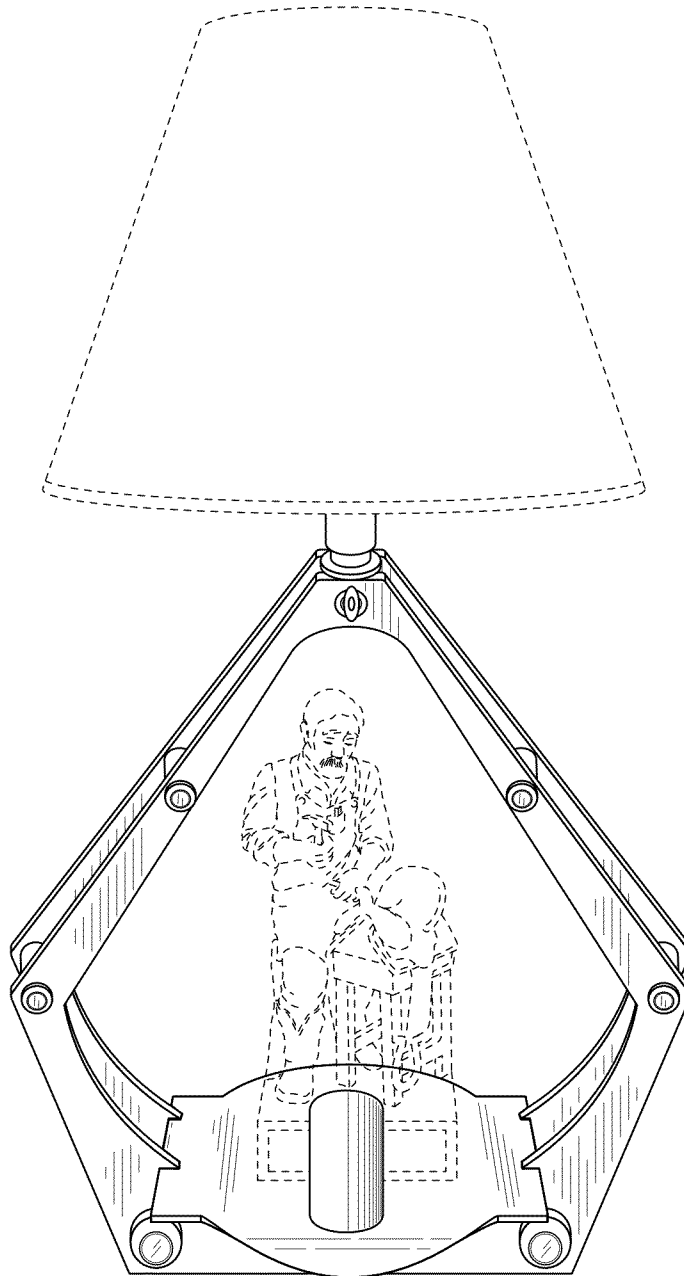


FIG. 1

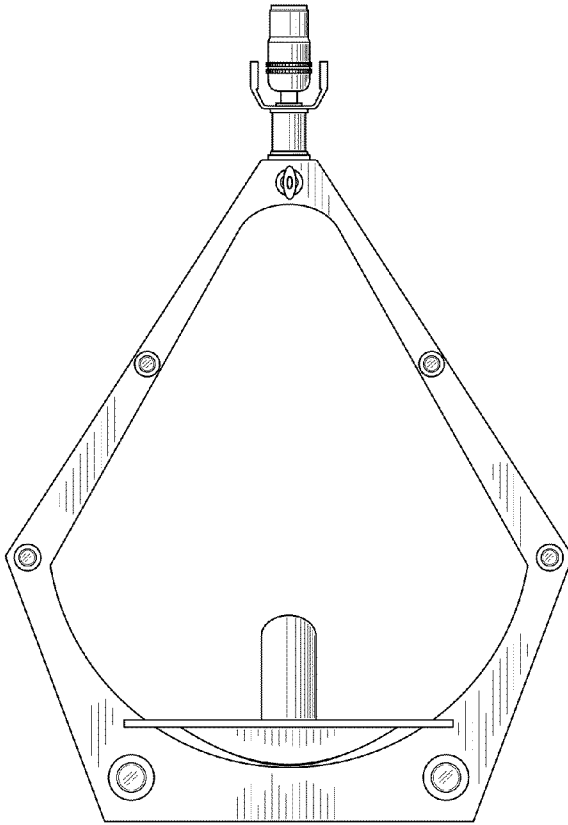


FIG. 2

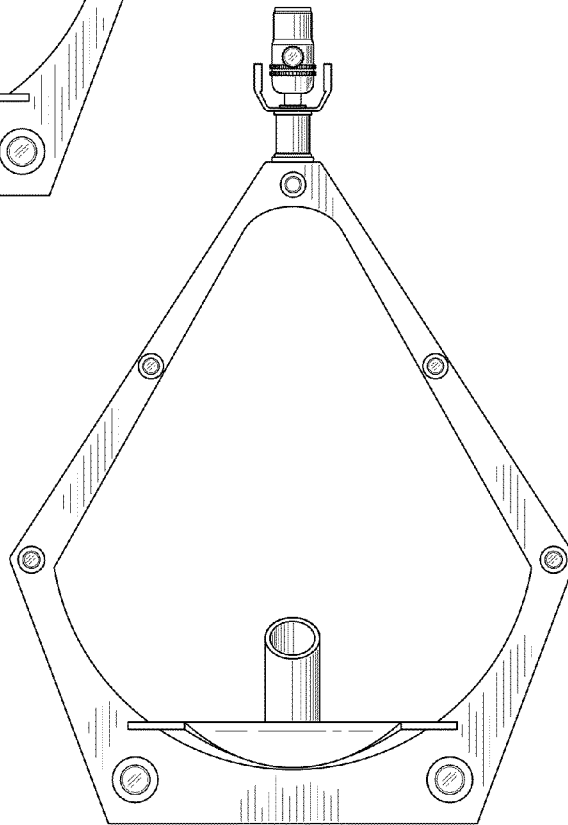


FIG. 3

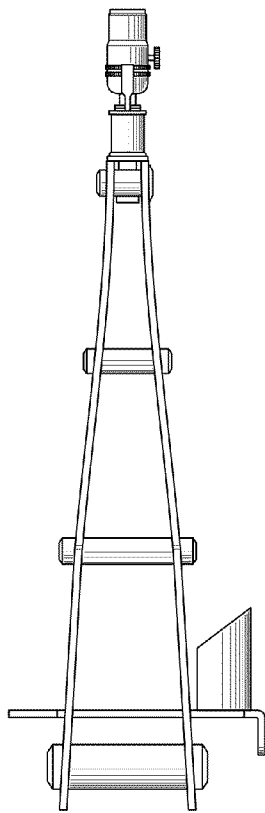


FIG. 4

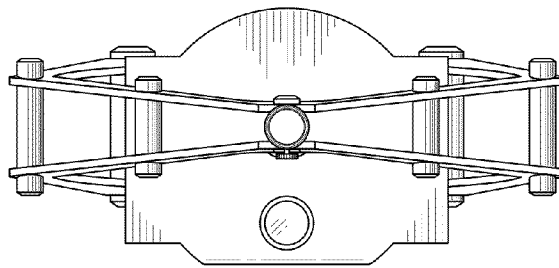


FIG. 5

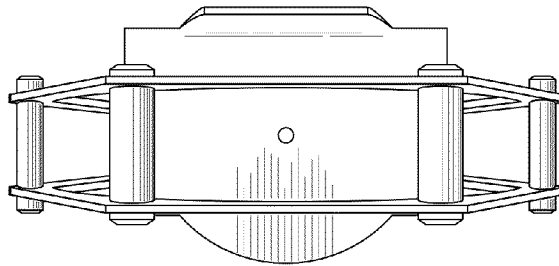


FIG. 6