



(22) Date de dépôt/Filing Date: 2009/05/21  
 (41) Mise à la disp. pub./Open to Public Insp.: 2009/11/26  
 (45) Date de délivrance/Issue Date: 2018/11/27  
 (62) Demande originale/Original Application: 2 723 111  
 (30) Priorité/Priority: 2008/05/21 (US61/128,463)

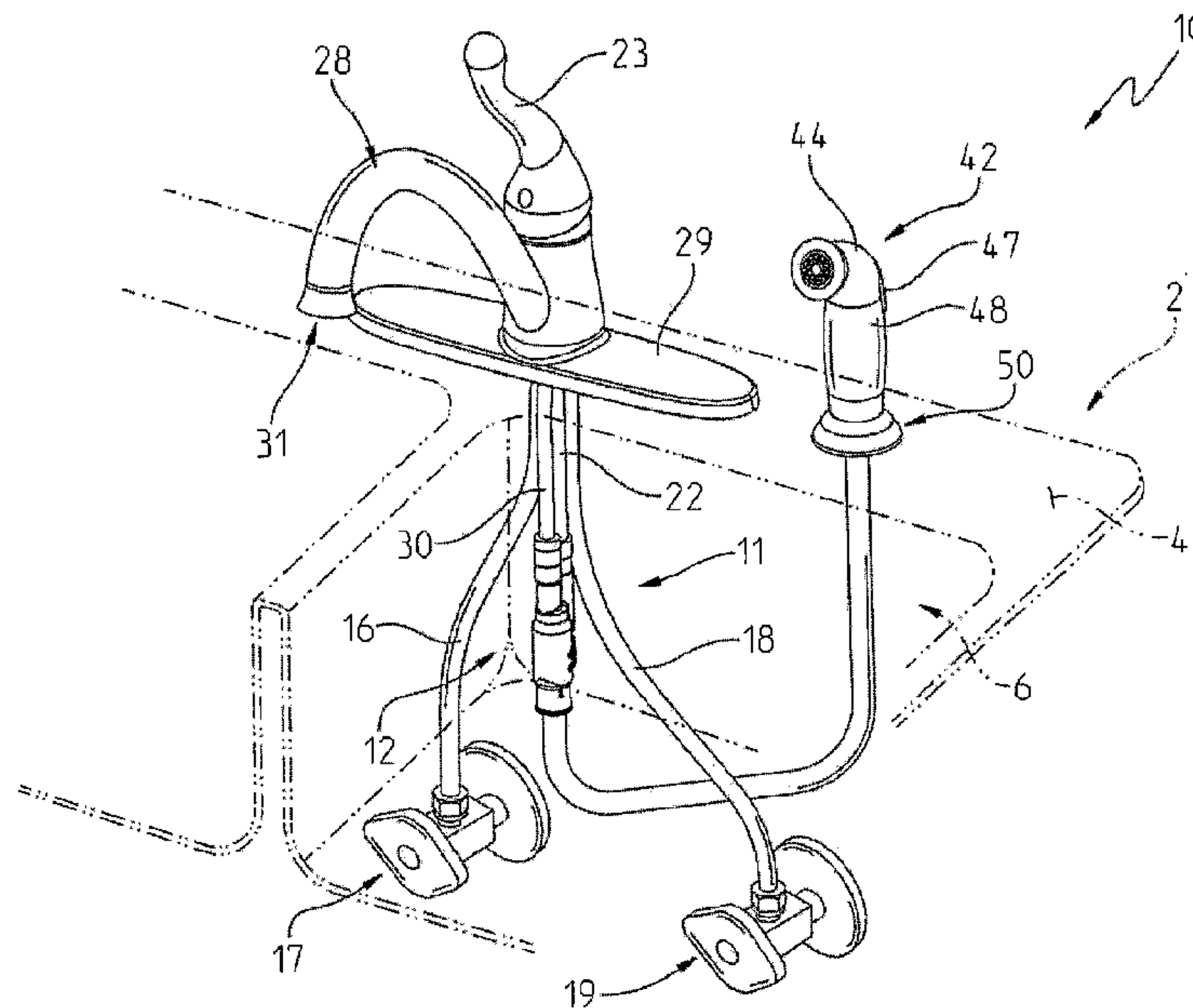
(51) Cl.Int./Int.Cl. *F16L 55/07* (2006.01),  
*B05B 1/22* (2006.01), *E03C 1/04* (2006.01),  
*F16K 11/04* (2006.01), *F16K 21/04* (2006.01),  
*F16L 37/12* (2006.01), *F16L 37/28* (2006.01),  
*F16L 47/26* (2006.01)

(72) Inventeurs/Inventors:  
 THOMAS, KURT J., US;  
 BROWN, DEREK A., US

(73) Propriétaires/Owners:  
 DELTA FAUCET COMPANY, US;  
 MERCURY PLASTICS LLC, US

(74) Agent: PIASETZKI NENNIGER KVAS LLP

(54) Titre : ASPERSEUR ET INVERSEUR INTEGRES A COTE D'UN ROBINET DE CUISINE  
 (54) Title: INTEGRATED KITCHEN FAUCET SIDE SPRAY AND DIVERTER



(57) **Abrégé/Abstract:**

A diverter assembly (12) for use with a faucet assembly (10) including a diverter valve (78) secured to an inlet end (80) of a sprayer tube (46) and removably received within a connector (62).

-17-

Abstract of the Disclosure

A diverter assembly (12) for use with a faucet assembly (10) including a diverter valve (78) secured to an inlet end (80) of a sprayer tube (46) and removably received within a connector (62).

5

INTEGRATED KITCHEN FAUCET SIDE SPRAY AND DIVERTERBackground and Summary of the Invention

The present invention relates to diverters for use with faucets, and more particularly, to a diverter configured to be positioned below the mounting deck of a sink.

5 A diverter valve is often used in conjunction with a kitchen faucet including a delivery spout and a side sprayer. The sprayer is typically connected a flexible hose that can moved in various orientations relative to a sink basin. The sprayer may be activated by pressing a button or trigger that opens a poppet valve located inside the sprayer. When the sprayer is activated, water flow to the sprayer causes a pressure drop across a  
10 diverter seal which, in turn, stops water flow to the spout. Generally, this diverter valve is located in the valve body or faucet spout supported above the sink deck.

The present disclosure provides a diverter assembly configured to be connected to a faucet assembly that may be installed on a sink deck. The diverter assembly includes a diverter and an auxiliary dispenser, such as a side sprayer or a filtered water dispenser.  
15 The diverter assembly is illustratively coupled to a tube which, in turn, is coupled to the delivery spout outlet of the faucet. The diverter assembly may redirect flow from the delivery spout outlet of the faucet to the auxiliary fluid dispenser upon activation of the auxiliary fluid dispenser.

In an illustrative embodiment of the present disclosure, a sprayer tube is attached  
20 directly to a diverter housing. The diverter housing is illustratively asymmetric to facilitate passage through a deck mounting shank. The outlet tube for the spout illustratively has a connector housing molded onto the end thereof and is configured to receive the diverter housing. The connector housing is also configured to receive the inlet tube from the faucet valve. A sealing plug may replace the diverter housing of the  
25 sprayer tube within the connector housing when a non-sprayer type faucet (i.e. no diverter valve) is desired. Both the plug and the diverter housing use the same coupler to secure them to the connector housing.

In a further illustrative embodiment of the present disclosure, a diverter assembly for a faucet includes a connector housing having an inlet passage configured to be fluidly  
30

coupled to water supply, a first outlet passage configured to be fluidly coupled to a first water delivery device, and a second outlet passage configured to be fluidly coupled to a second water delivery device. A diverter valve is removably coupled to the connector housing. The diverter valve includes a diverter housing slidably received within the second outlet passage of the connector housing, and a valve member supported by the diverter housing. The diverter housing includes an inlet port in fluid communication with the inlet passage of the connector housing, a first outlet port in fluid communication with the first outlet passage of the connector housing, and a second outlet port in fluid communication with the second outlet passage of the connector housing. The valve member includes a first mode of operation for blocking water flow through the second outlet port and permitting water flow through the first outlet port, and a second mode of operation for permitting water flow through the second outlet port and blocking water flow through the first outlet port. A coupler is supported by the connector housing and is configured to secure the diverter housing to the connector housing.

According to another illustrative embodiment of the present disclosure, a diverter assembly for a faucet includes a connector housing having an inlet passage, a first outlet passage, and a second outlet passage. A spout outlet tube includes an end coupled to the first outlet passage of the connector housing. A diverter valve is configured to be removably coupled to the second outlet passage of the connector housing in a multiple water outlet configuration, wherein water is configured to alternatively flow through the first outlet passage and the second outlet passage of the connector housing. The diverter valve includes a diverter housing and a valve member supported by the diverter housing. The diverter housing includes an inlet port in fluid communication with the inlet passage, a first outlet port in selective fluid communication with the inlet port, and a second outlet port in selective fluid communication with the inlet port. The valve member is configured to control water flow from the inlet port to the first and second outlet ports. A plug is configured to be removably coupled to the second outlet passage of the connector housing in a single water outlet configuration, wherein water is prevented from flowing through the second outlet passage.

In a further illustrative embodiment of the present disclosure, a faucet includes a control valve fluidly coupled to a water supply, an inlet tube including opposing first and second ends, the first end fluidly coupled to the control valve, and a connector housing. The connector housing includes an inlet passage, a first outlet passage, and a second outlet passage, the second end of the inlet tube being coupled to the inlet passage. A spout outlet tube includes opposing first and second ends, the first end coupled to the first outlet passage of the connector housing, and the second end defining a water outlet above a sink. A sprayer assembly includes a sprayer outlet tube having opposing first and second ends, a diverter valve coupled to the first end, and a handheld sprayer coupled to the second end. The diverter valve includes a diverter housing fixed to the first end of the dispenser outlet tube, and a valve member supported by the diverter housing. A plug is interchangeable with the diverter valve, wherein the diverter valve is coupled to the second outlet passage of the connector housing in a multiple outlet configuration and the plug is coupled to the second outlet passage of the connector housing in a single water outlet configuration.

According to yet another illustrative embodiment of the present disclosure, a method of coupling a dispenser assembly to a faucet includes the steps of providing a connector including an inlet passage, a first outlet passage, and a second outlet passage, and providing an inlet tube including an end coupled to the inlet passage of the connector. The method further includes the steps of providing a spout outlet tube including an end coupled to the first outlet passage of the connector, uncoupling a sealing plug from the second outlet passage of the connector, and providing an auxiliary dispenser including a diverter valve, the diverter valve having a diverter housing and a valve member supported by the diverter housing. The method also includes the steps of coupling the diverter housing to the second outlet passage of the connector, and securing the diverter housing to the connector.

Additional features and advantages of the present invention will become apparent to those skilled in the art upon consideration of the following detailed description of the illustrative embodiment exemplifying the best mode of carrying out the invention as presently perceived.

Brief Description of the Drawings

The detailed description of the drawings particularly refers to the accompanying figures in which:

5 Fig. 1 is a perspective view of a faucet supported by a sink and including the illustrative diverter assembly of the present disclosure;

Fig. 2 is an exploded perspective view of the faucet of Fig. 1;

Fig. 3 is an exploded perspective view of the illustrative diverter assembly, including the diverter valve and connector of Fig. 1;

10 Fig. 4 is an exploded perspective view of the diverter valve and connector of Fig. 3;

Fig. 5 is a perspective view, in partial cross-section, of the diverter valve secured within the coupler;

Fig. 6 is a perspective view, in partial cross-section, similar to Fig. 5 but with the diverter valve replaced with a sealing plug;

15 Fig. 7 is a cross-sectional view of the diverter valve secured within the connector;

Fig. 8A is a detailed cross-sectional view of the diverter valve of Fig. 7, with the valve member in a rest position;

Fig. 8B is a detailed cross-sectional view similar to Fig. 8A, with the valve member in a spout delivery position;

20 Fig. 8C is a detailed cross-sectional view similar to Fig. 8A, with the valve member in a sprayer delivery position;

Fig. 9 is a perspective view of the connector of Fig. 1, showing the inlet tube removed from the inlet passage, the spout tube received within the first outlet passage, and the sealing plug received within the second outlet passage;

25 Fig. 10 is a perspective view similar to Fig. 9, showing the inlet tube received within the inlet passage of the connector and secured through a retaining clip;

Fig. 11 is a cross-sectional view taken along line 11-11 of Fig. 10;

Fig. 12 is a perspective view similar to Fig. 9, showing the sealing plug removed from the second outlet passage;

30 Fig. 13 is a perspective view similar to Fig. 12, showing the diverter valve positioned for receipt within the second outlet passage of the connector;

-5-

Fig. 14 is a perspective view similar to Fig. 13, showing the diverter valve received within the second outlet passage of the connector;

5 Fig. 15A is a cross-sectional view taken along line 15-15 of Fig. 14, with the diverter secured within the connector and the valve member in the rest position of Fig. 8A;

Fig. 15B is a cross-sectional view similar to Fig. 15A, with the valve member in the spout delivery position of Fig. 8B for permitting water flow from the inlet tube to the spout outlet tube; and

10 Fig. 15C is a cross-sectional view similar to Fig. 15A, with the valve member in the sprayer delivery position of Fig. 8C for permitting water flow from the inlet tube to the sprayer outlet tube.

#### Detailed Description of the Drawings

15 The embodiments of the invention described herein are not intended to be exhaustive or to limit the invention to precise forms disclosed. Rather, the embodiments selected for description have been chosen to enable one skilled in the art to practice the invention.

20 Referring initially to Fig. 1, a sink assembly 2 is shown as including a sink or mounting deck 4 supporting an illustrative faucet assembly 10 above a sink basin 6. The faucet assembly 10 is shown as including the diverter assembly 12 of the present disclosure. As shown in Fig. 2, the faucet assembly 10 includes a waterway assembly 11 having a hot water supply line or tube 16 and a cold water supply line or tube 18 configured to supply water to a control or mixing valve 20 through a valve interface member 21. More particularly, the hot water supply tube 16 is fluidly connected to a hot water supply valve or stop 17, while the cold water supply tube 18 is fluidly connected to a cold water supply valve or stop 19. Operation of the mixing valve 20 regulates the flow of water from the hot water supply tube 16 and the cold water supply tube 18 to a mixed water line or inlet tube 22. A user input, illustratively a handle 23, is operably coupled to the mixing valve 20 to control the flow rate and the temperature of water delivered to the mixed water inlet tube 22.

30 The mixed water inlet tube 22 includes an inlet end 24 and an outlet end 26. The faucet assembly 10 includes a delivery spout 28 supported by a base 29 and configured to

receive a spout outlet tube 30 having an outlet 31 positioned above the sink basin 6 and configured to discharge water from the mixed water inlet tube 22. The outlet 31 may be defined by an aerator 33 coupled to an overmolded end fitting 35 of the spout outlet tube 30. Illustratively, the base 29 may be secured to the mounting deck 4 through nuts 32  
5 threadably engaging mounting shanks or posts 34. In the illustrative embodiment, the hot water supply tube 16, the cold water supply tube 18, the mixed water inlet tube 22, the spout outlet tube 30, and the valve interface member 21 are all formed of a polymer, such as a cross-linked polyethylene (PEX).

An auxiliary fluid dispenser, illustratively a sprayer assembly 42 includes a  
10 handheld sprayer 44 fluidly coupled to a dispenser or sprayer outlet tube 46. The sprayer 44 may be of conventional design and includes a trigger 47 configured to activate water flow therethrough. The sprayer 44 includes a body 48 configured to be removably supported by a mounting base 50. The mounting base 50 includes a mounting shank or post 52 defining a passageway 54 to slidably receive the sprayer outlet tube 46. A nut 56  
15 threadably engages the mounting post 52 and secures the mounting base 50 to the mounting deck 4. While the illustrative auxiliary fluid dispenser is shown as comprising sprayer assembly 42, it should be noted that other fluid delivery devices may be substituted therefore, including a filtered water dispenser.

With reference to Figs. 2-4, the diverter assembly 12 illustratively includes a  
20 coupler or connector 62 having a connector housing 64 secured to an inlet end 66 of the spout outlet tube 30. More particularly, the connector housing 64 illustratively includes an inlet passage 68 coupled to the mixed water inlet tube 22, a first outlet passage 70 coupled to a first water delivery device (illustratively the outlet 31 of the delivery spout 28 as shown in Fig. 5) through the spout outlet tube 30, and a second outlet passage 72  
25 configured to be coupled to a second water delivery device (illustratively the sprayer 44) through the sprayer outlet tube 46. Illustratively, the longitudinal axis of the inlet end 66 of the spout outlet tube 30 is coaxial with the longitudinal axis 71 of the first outlet passage 70, which, in turn, is substantially parallel to the longitudinal axis 69 of the inlet passage 68 and the longitudinal axis 73 of the second outlet passage 72 (Fig. 7).

30 In one illustrative embodiment, the connector housing 64 is formed by a polyethylene overmolded around the inlet end 66 of the spout outlet tube 30 and

subsequently cross-linked to cross-linked polyethylene (PEX). In other words, the polyethylene of tube 30 and connector housing 64 (which have not been cross-linked or have been only partially cross-linked) are cross-linked following the overmolding process. While it is envisioned that any form of suitable cross-linking may be utilized to form the PEX of tube 30 and connector housing 64, in one illustrative embodiment the polyethylene is cross-linked by bombarding it with electromagnetic (gamma) or high energy electron (beta) radiation.

While the precise composition of the tube 30 and overmolded connector housing 64 are not required to be of any specified polymer, in general, there are several guidelines which are applicable in the practice of the illustrative embodiment. It is of course, recognized that the precise operating conditions utilized in the overmolding process are well-known in the art and are specific to each molded polymer. It is well within the skill of the art to determine the applicable conditions which will result in the appropriate overmolded connector housing 64 and tube 30. The tube 30 and connector housing 64 may be a thermoplastic or a thermoset. Illustratively, the polymer overmolded connector housing 64 should be capable of forming a leak-proof bond, either chemical or physical, with the polymer of the tube 30.

The combination of polymers of the tube 30 and the connector housing 64 illustratively satisfy at least two simultaneous conditions. First, the tube 30 illustratively does not soften and begin melt flow to the point where they lose structural integrity and second, the overmolded connector housing 64 is illustratively capable of forming an essentially leak-proof interface with the plastic conduit, preferably through either a chemical and/or physical bond between the underlying plastic and the overmolded plastic. According to the illustrative embodiment, the tube 30 is capable of maintaining structural integrity during the overmolding conditions during which the overmolded polymer is in melt flow.

While using polymer compositions which have differing softening points is one way to achieve the above objectives, there are alternatives, one of which would include the use of two compositions which have the same softening point, but which are of different thickness. Through manipulation of the time, temperature and pressure conditions experienced during the molding operation, the tube 30 would not experience

melt flow, even though it had a similar softening point or range. It is also possible that through the incorporation of various additives in the polymeric compositions, e.g., glass fibers, heat stabilizers, anti-oxidants, plasticizers, etc., the softening temperatures of the polymers may be controlled.

5           In an illustrative embodiment of the invention, the composition of the overmolded connector housing 64 will be such that it will be capable of at least some melt fusion with the composition of the tube 30, thereby maximizing the leak-proof characteristics of the interface between the tube 30 and overmolded connector housing 64. There are several means by which this may be effected. One of the simplest  
10           procedures is to insure that at least a component of the tube 30 and that of the overmold connector housing 64 is the same. Alternatively, it would be possible to insure that at least a portion of the polymer composition of the tube 30 and that of the overmold connector housing 64 is sufficiently similar or compatible so as to permit the melt fusion or blending or alloying to occur at least in the interfacial region between the exterior of  
15           the tube 30 and the interior region of the overmold connector housing 64. Another manner in which to state this would be to indicate that at least a portion of the polymer compositions of the tube 30 and the overmold connector housing 64 are miscible.

          With reference to Figs. 3-5, a diverter valve 78 is secured to the inlet end 80 of the sprayer tube 46. More particularly, a diverter housing 82 is illustratively coaxially  
20           positioned relative to the sprayer tube 46. A pair of spring biased tabs 84 secure the diverter housing 82 to an end fitting 86 which, in turn, is secured to the sprayer tube 46 by a metal ferrule 88 crimped or swaged in place. A valve member 90 is received within the diverter housing 82 and is configured to move relative thereto to control the flow of water from an inlet port 92 to first and second outlet ports 94 and 96. An o-ring 97 forms  
25           a seal between the end fitting 86 and the diverter housing 82.

          The valve member 90 of the diverter valve 78 includes a poppet or stem 98 movably supported within a chamber 100 fluidly connecting the inlet port 92 to the outlet ports 94 and 96. The stem 98 supports a first seal 102 configured to seal against a first seat 104 defined by the diverter housing 82 and prevent fluid flow from the inlet port 92  
30           to the first outlet port 94. The stem 98 also supports a second seal 106, illustratively including a lip or skirt 108, configured to seal against a second seat 110 defined by the

diverter housing 82 and prevent fluid flow to the second outlet 96. As further detailed herein, the valve member 90 may operate in a known manner in response to differential water pressure changes wherein Fig. 8A shows the valve member 90 in a rest position, Fig. 8B shows the valve member 90 in a spout delivery position, and Fig. 8C shows the valve member 90 in a sprayer delivery position.

In the illustrative embodiment, the diverter valve 78 is configured to be slidably received within the second outlet passage 72 of the connector housing 64 for use with a faucet assembly 10 including sprayer assembly 42, thereby defining a multiple water outlet configuration. The diverter housing 82 is dimensioned so as to slidably pass through the conventional mounting shank 52 configured to support the sprayer 44. Illustratively, the diverter housing 82 is asymmetric to facilitate passage through the mounting shank 52 and receipt within the second outlet passage 72 of the connector housing 64. In the illustrative embodiment of Fig. 2, the outer diameter ("od") of the diverter housing 82 is less than about 0.80 inches for slidably passing through the inner diameter ("id") defining the passageway 54 of the deck mounting shank 52. O-rings 111 provide a seal between the diverter housing 82 and the connector housing 64.

When a sprayer assembly 42 is not desired, thereby defining a faucet assembly 10 having a single water outlet configuration, the diverter valve 78 is replaced with a cap or sealing plug 112 including a handle portion 114 and supporting an o-ring 116 to provide a seal between the plug 112 and the connector housing 64. As such, water is prevented from flowing through the second outlet passage 72. In both the spray (multiple water outlet) and non-sprayer (single water outlet) configurations of the faucet assembly 10, a coupler, illustratively a retaining clip 118 alternatively secures the diverter valve 78 and plug 112 within the connector housing 64. The clip 118 includes two pairs of biased arms 120 and 122 configured to pass through slots 124 and 126 in the connector housing 64 and to be alternately received within grooves 128 and 130 formed within the diverter housing 82 and the plug 112, respectively. The clip 118 also includes a handle 132 for manipulation by a user.

The outlet end 26 of the mixed water inlet tube 22 includes a fitting 134, illustratively formed of a polyethylene overmolded on the outlet end 26 and subsequently cross-linked to form PEX. The fitting 134 is configured to be received within the inlet

passage 68 of the connector housing 64. A retaining clip, illustratively swing clip 136, couples the fitting 134 to the connector housing 64. The swing clip 136 includes a first clip portion 138 retained within a groove 140 of the connector housing 64, and a second clip portion 142 configured to cooperate with an edge 144 of the fitting 134. The first clip portion 138 is restrained from axial movement, but is free to rotate, such that the second clip portion 142 may be rotated into and out of engagement with the mixed water inlet tube 22.

Figs. 9-11 illustrate the diverter assembly 12 configured to operate as a non-sprayer faucet 10 and as it would leave the factory ready for installation. The path of water from the valve 20 to spout outlet tube 30 can be clearly seen by arrows 146 in Fig. 11. Fig. 12 shows the retaining clip 118 for the plug 112 in the disengaged position and the plug 112 being removed. This step may be performed at installation, or during a subsequent retrofit, to add the sprayer assembly 42 including diverter valve 78. Fig. 13 shows the diverter valve 78 of the tube 46 being inserted into the connector housing 64 on the spout outlet tube 30. As noted above, the retaining clip 118 used to secure the plug 112 is also used to secure in the diverter valve 78. Fig. 14 shows the completed diverter assembly 12 as it would appear after installation of the sprayer assembly 42. Fig. 15A shows a cross section of Fig. 14 when the valve member 90 is in the rest position of Fig. 8A (i.e. no water supplied from valve 20 to diverter valve 78). The water 146 flows in from the valve 20 into the center portion of the diverter stem 98 and either exits out the spout outlet tube 30 (Fig. 15B) or out the sprayer tube 46 (Fig. 15C), depending on whether the sprayer trigger 47 has been actuated.

In the operating modes of Figs. 15B and 15C, water 146 supplied from the mixed water inlet tube 22 enters the diverter valve 78 through inlet port 92 and is received within the chamber 100 intermediate the first and second seals 102 and 106. With reference to Figs. 8B and 15B, when the sprayer trigger 47 is deactivated, there is no substantial pressure differential across the second seal 106. However, the spout outlet tube 30 is open to atmosphere thereby creating a pressure differential across the first seal 102. The diverter valve 78 is therefore in a first or delivery spout mode of operation, where stem 98 is moved upwardly in Figs. 8B and 15B, away from the inlet port 92. The

-11-

first seal 102, in turn, disengages the seat 104 and water flows through the spout outlet tube 30.

5 With reference to Figs. 8C and 15C, when the trigger 47 is actuated, pressure drops to atmosphere within the sprayer tube 46, creating a pressure differential across the second seal 106. Given the larger surface area of the second seal 106 relative to the first seal 102, the stem 98 is moved downwardly in Figs. 8C and 15C, and the diverter valve 78 is in a second or sprayer mode of operation. As such, the first seal 102 engages the seat 104 blocking water flow to the spout outlet tube 30 while causing the skirt or lip 108 of the second seal 106 to move away from the seat 110, thereby allowing water flow to  
10 the sprayer tube 46.

The present disclosure provides a diverter valve and associated waterway that are configured to pass through a conventional opening in the sink deck. In addition, by having a connection to the delivery spout always extend below the sink, this diverter valve could facilitate the use of tubular liners for a kitchen faucet where the spout is  
15 coaxial to the valve, thus allowing for the elimination of spout o-rings and potential for contact with the spout material, which may contain materials such as lead. This configuration would also apply to other faucet configurations, including faucets where the valve and spout are located in separate mounting openings in the sink deck.

20 Although the invention has been described in detail with reference to certain preferred embodiments, variations and modifications exist within the spirit and scope of the invention as described and defined in the following claims.

-12-

## CLAIMS:

1. A diverter assembly for a faucet comprising:
  - a connector housing including an inlet passage, a first outlet passage, and a second outlet passage;
  - 5 a spout outlet tube having an end coupled to the first outlet passage of the connector housing;
  - a diverter valve configured to be removably coupled to the second outlet passage of the connector housing in a multiple water outlet configuration, wherein water is configured to alternatively flow through the first outlet passage and the second outlet
  - 10 passage of the connector housing;
  - the diverter valve including a diverter housing and a valve member supported by the diverter housing, the diverter housing including an inlet port in fluid communication with the inlet passage, a first outlet port in selective fluid communication with the inlet port, and a second outlet port in selective fluid communication with the inlet
  - 15 port, the valve member configured to control water flow from the inlet port to the first and second outlet ports;
  - an auxiliary dispenser including a dispenser outlet tube having opposing first and second ends, the diverter valve coupled to the first end, and a water dispensing device coupled to the second end;
  - 20 wherein the diverter housing is fixed to the first end of the dispenser outlet tube;
  - and
  - a plug interchangeable with the diverter valve, and configured to be removably coupled to the second outlet passage of the connector housing in a single water
  - 25 outlet configuration, wherein water is prevented from flowing through the second outlet passage.
2. The diverter assembly of claim 1, wherein the auxiliary dispenser comprises a handheld sprayer including a trigger, and the valve member of the diverter valve changes modes in response to activation of the trigger.

-13-

3. The diverter assembly of claim 1, further comprising a coupler supported by the connector housing and configured to secure the diverter housing to the connector housing.

4. The diverter assembly of claim 3, wherein the coupler comprises a retaining clip including a pair of resilient arms.

5. The diverter assembly of claim 1, wherein the connector housing defines a longitudinal axis, and the inlet passage, the first outlet passage, and the second outlet passage extend substantially parallel to the longitudinal axis.

6. The diverter assembly of claim 1, wherein:  
the diverter housing of the diverter valve includes a first seat and a second seat; and

the valve member of the diverter valve includes a poppet supporting a first seal configured to engage the first seat to block water flow through the first outlet port, and a second seal configured to engage the second seat to block water flow through the second outlet port.

7. The diverter assembly of claim 1, wherein the connector housing is overmolded around the end of the spout outlet tube.

8. The diverter assembly of claim 1, further comprising an inlet tube in fluid communication with the inlet passage of the connector housing and having an end fixed to the connector housing.

9. The diverter assembly of claim 8, further comprising:  
a retaining clip having a first portion coupled to the connector housing and a second portion coupled to the inlet tube; and

wherein the first portion of the retaining clip is rotatable relative to the connector housing, and the inlet tube includes an annular ring engageable with the second portion of the retaining clip to restrain axial movement of the inlet tube relative to the connector housing.

10. A faucet comprising:  
a control valve fluidly coupled to a water supply;  
an inlet tube including opposing first and second ends, the first end fluidly coupled to the control valve;

-14-

a connector housing including an inlet passage, a first outlet passage, and a second outlet passage, the second end of the inlet tube coupled to the inlet passage;

a spout outlet tube including opposing first and second ends, the first end coupled to the first outlet passage of the connector housing, and the second end defining a water outlet above a sink;

a sprayer assembly including a sprayer outlet tube having opposing first and second ends, a diverter valve coupled to the first end, and a handheld sprayer coupled to the second end;

the diverter valve including a diverter housing fixed to the first end of the sprayer outlet tube, and a valve member supported by the diverter housing; and

a plug interchangeable with the diverter valve, wherein the diverter valve is coupled to the second outlet passage of the connector housing in a multiple water outlet configuration and the plug is coupled to the second outlet passage of the connector housing in a single water outlet configuration.

11. The faucet of claim 10, further comprising a mounting shank configured to be mounted to a sink deck and support the handheld sprayer, wherein the diverter housing is configured to clearingly pass through the mounting shank from above the sink deck to below the sink deck.

12. The faucet of claim 10, further comprising a coupler supported by the connector housing and configured to secure the diverter housing to the connector housing.

13. The faucet of claim 12, wherein the coupler comprises a retaining clip including a pair of resilient arms.

14. The faucet of claim 10, wherein the connector housing defines a longitudinal axis, and the inlet passage, the first outlet passage, and the second outlet passage extend substantially parallel to the longitudinal axis.

15. The faucet of claim 10 wherein:  
the diverter housing of the diverter valve includes a first seat and a second seat; and  
the valve member of the diverter valve includes a poppet supporting a first seal configured to engage the first seat to block water flow through the spout outlet tube,

-15-

and a second seal configured to engage the second seat to block water flow through the sprayer outlet tube.

16. The faucet of claim 10, wherein the connector housing is overmolded around the end of the spout outlet tube.

5 17. The faucet of claim 10, further comprising: a retaining clip having a first portion coupled to the connector housing and a second portion coupled to the inlet tube; and

10 wherein the first portion of the retaining clip is rotatable relative to the connector housing, and the inlet tube includes an annular ring engageable with the second portion of the retaining clip to restrain axial movement of the inlet tube relative to the connector housing.

18. The faucet of claim 10, wherein the diverter housing is axisymmetric.

19. A method of coupling a dispenser assembly to a faucet, the method including the steps of:

15 providing a connector including an inlet passage, a first outlet passage, and a second outlet passage;

providing an inlet tube including an end coupled to the inlet passage of the connector;

20 providing a spout outlet tube including an end coupled to the first outlet passage of the connector;

uncoupling a sealing plug from the second outlet passage of the connector;

providing an auxiliary dispenser including a diverter valve, the diverter valve having a diverter housing and a valve member supported by the diverter housing;

coupling the diverter housing to the second outlet passage of the connector;

25 and

securing the diverter housing to the connector.

20. The method of claim 19, further comprising the steps of:

supporting a mounting shank on a sink deck to support the auxiliary dispenser; and

30 passing the diverter valve through the mounting shank.

-16-

21. The method of claim 20, wherein the auxiliary dispenser comprises a handheld sprayer including a trigger, and the valve member of the diverter valve changes modes in response to activation of the trigger.

22. The method of claim 19, wherein the connector includes a connector  
5 housing integral with the spout outlet tube.

23. The method of claim 19, wherein the step of securing the diverter housing to the connector comprises resiliently biasing a pair of arms around at least a portion of the diverter housing.

24. The method of claim 19, wherein the step of coupling the diverter housing  
10 comprises sliding the diverter housing into the second outlet passage of the connector.

1/18

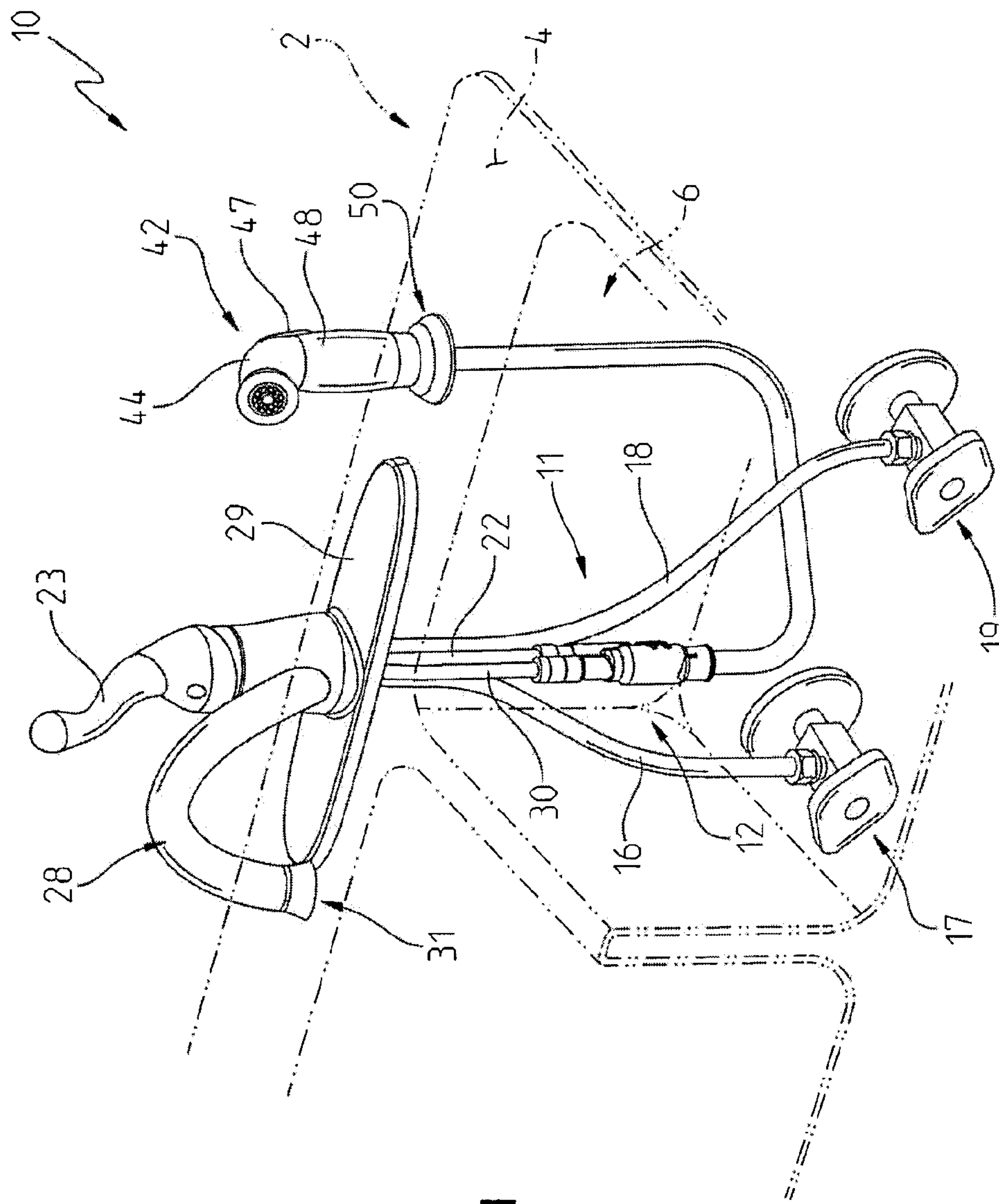


FIG. 1

2/18

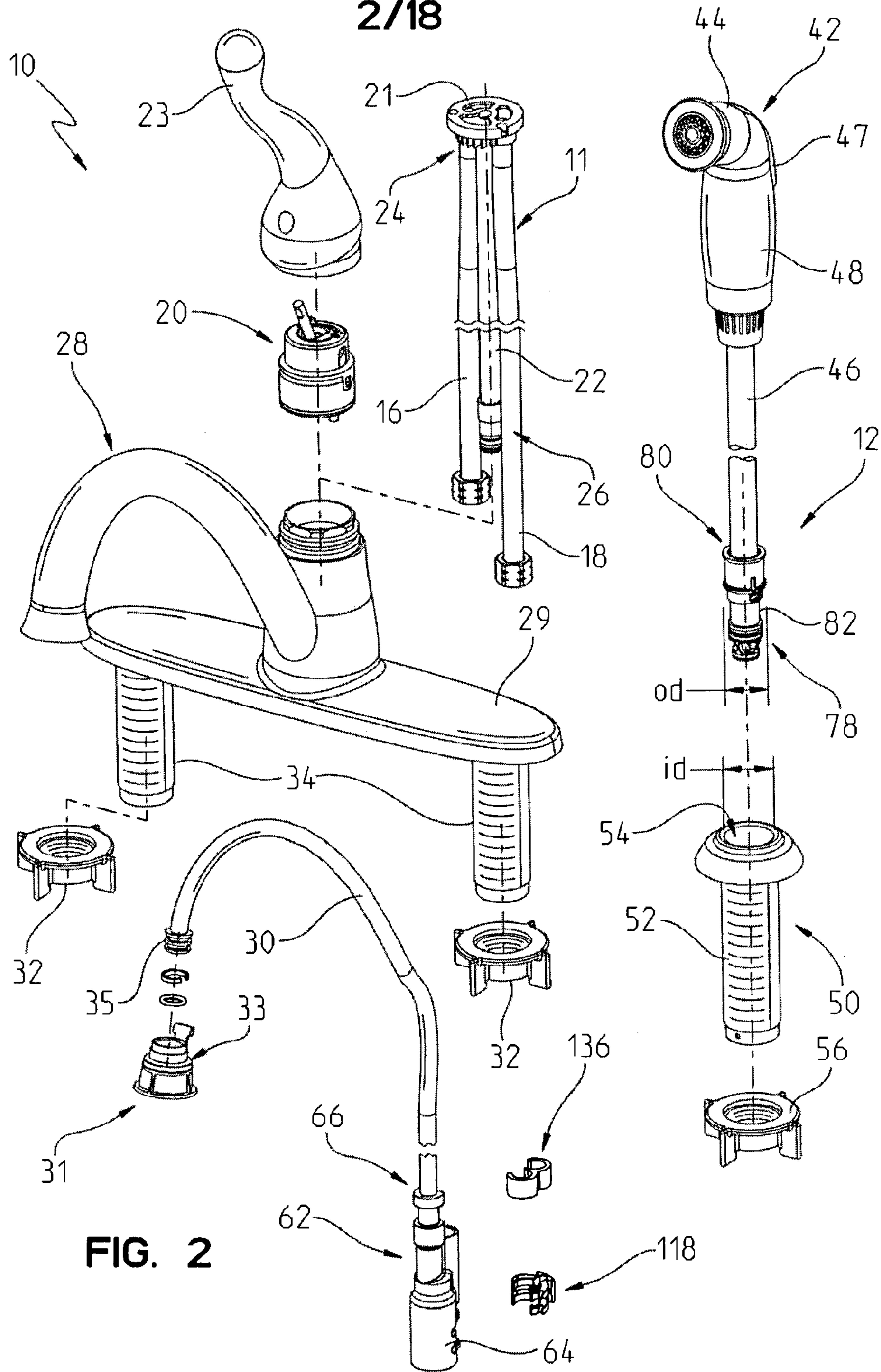


FIG. 2



4/18

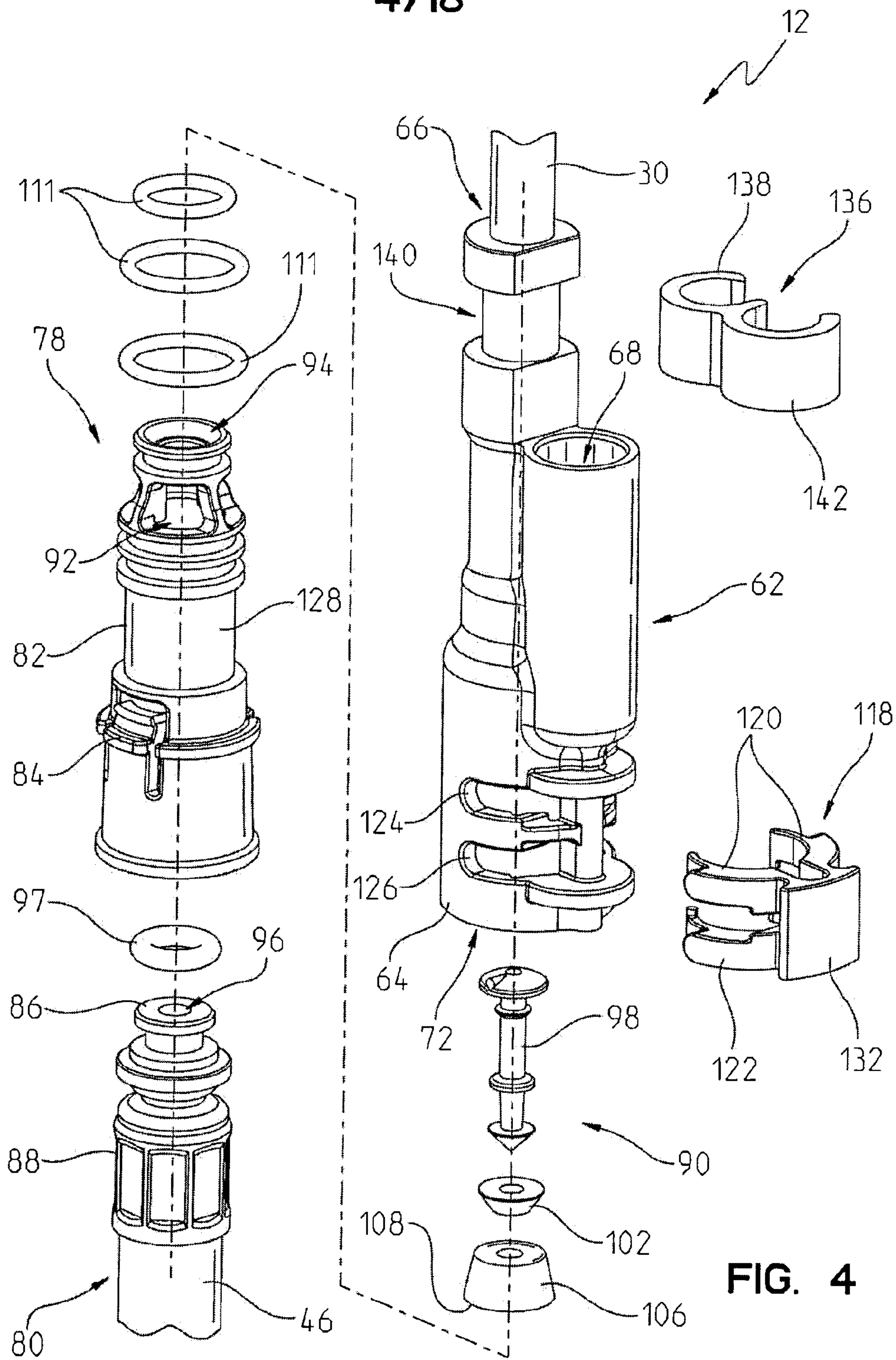


FIG. 4

5/18

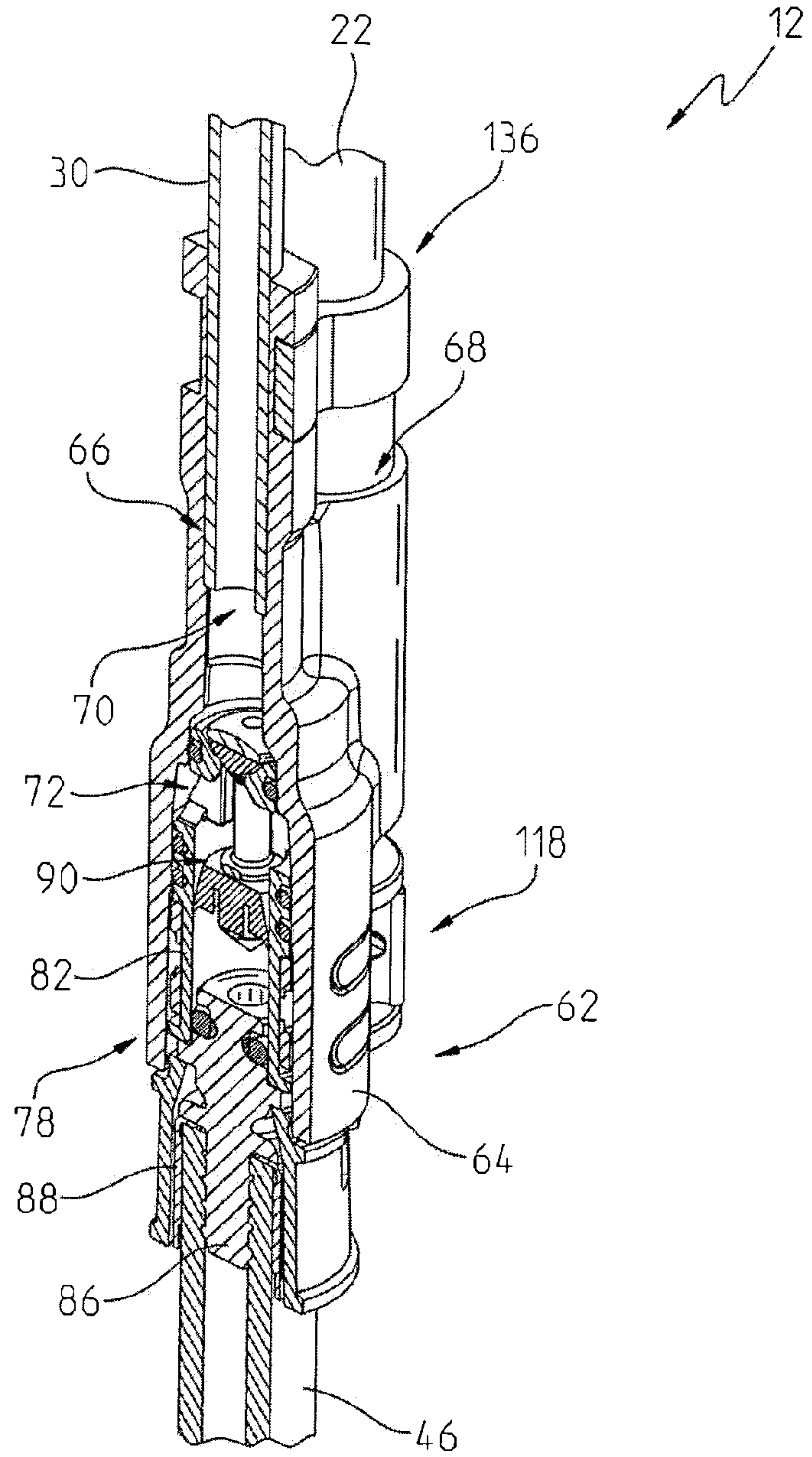


FIG. 5

6/18

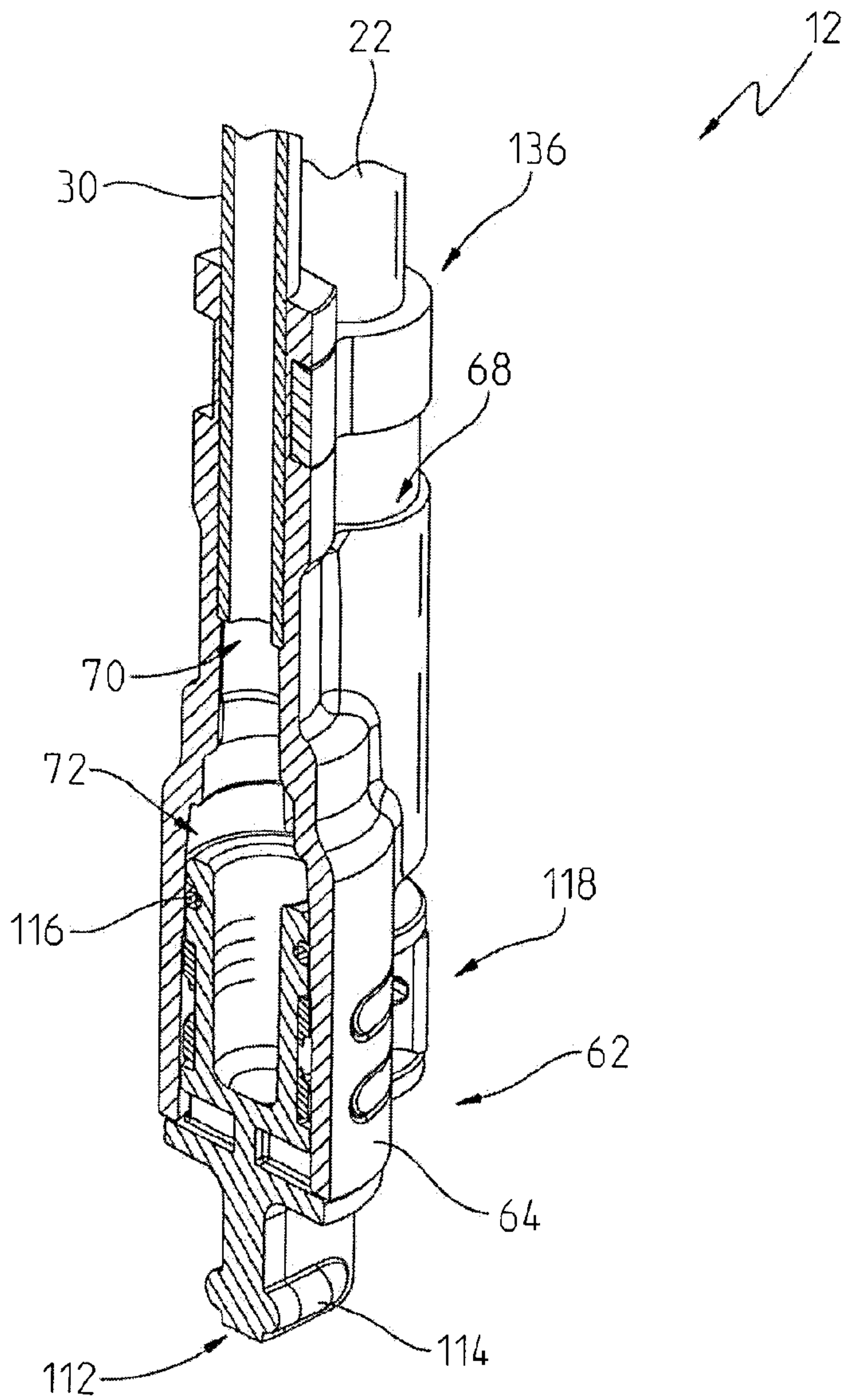


FIG. 6

7/18

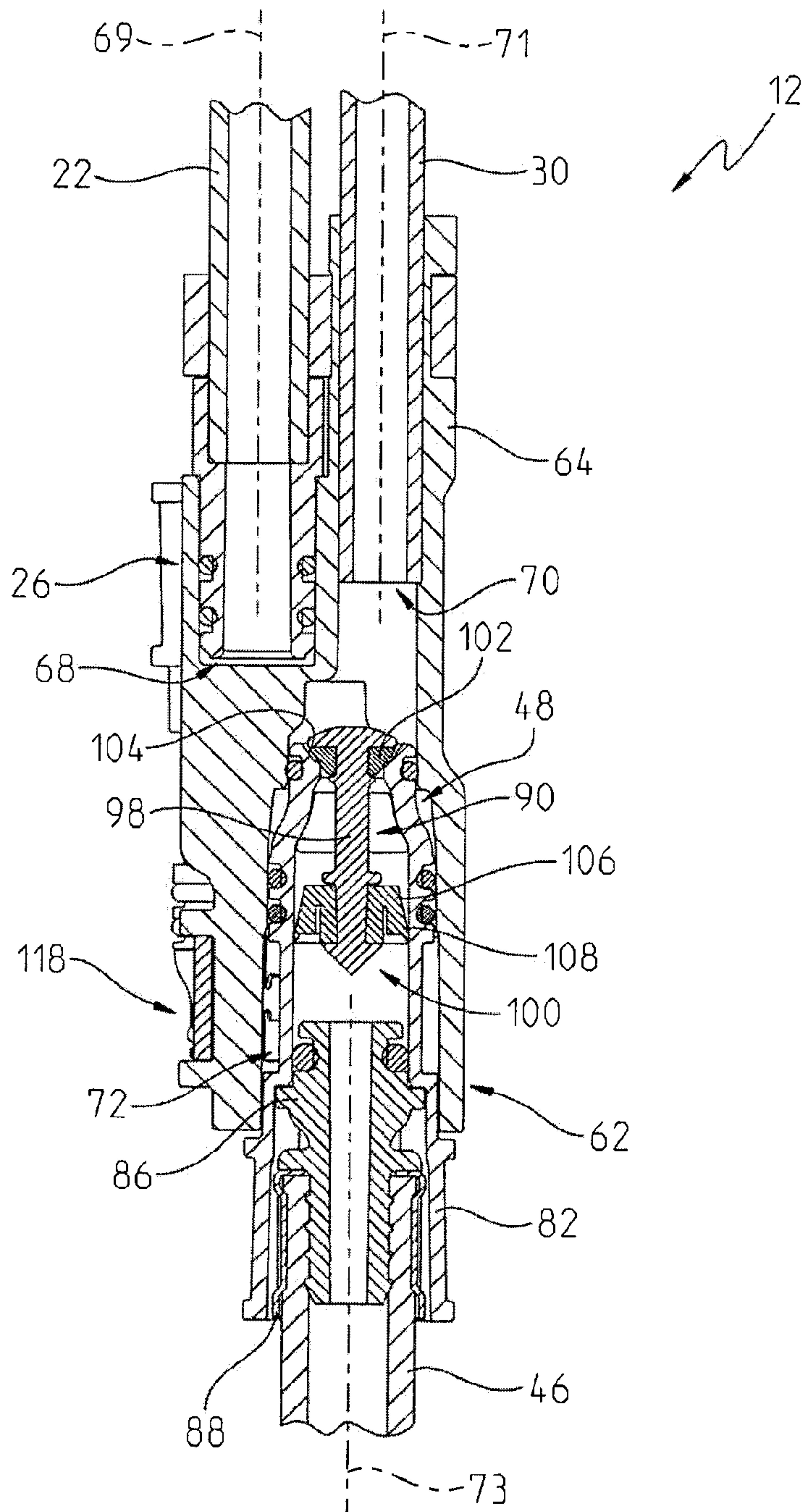


FIG. 7



9/18

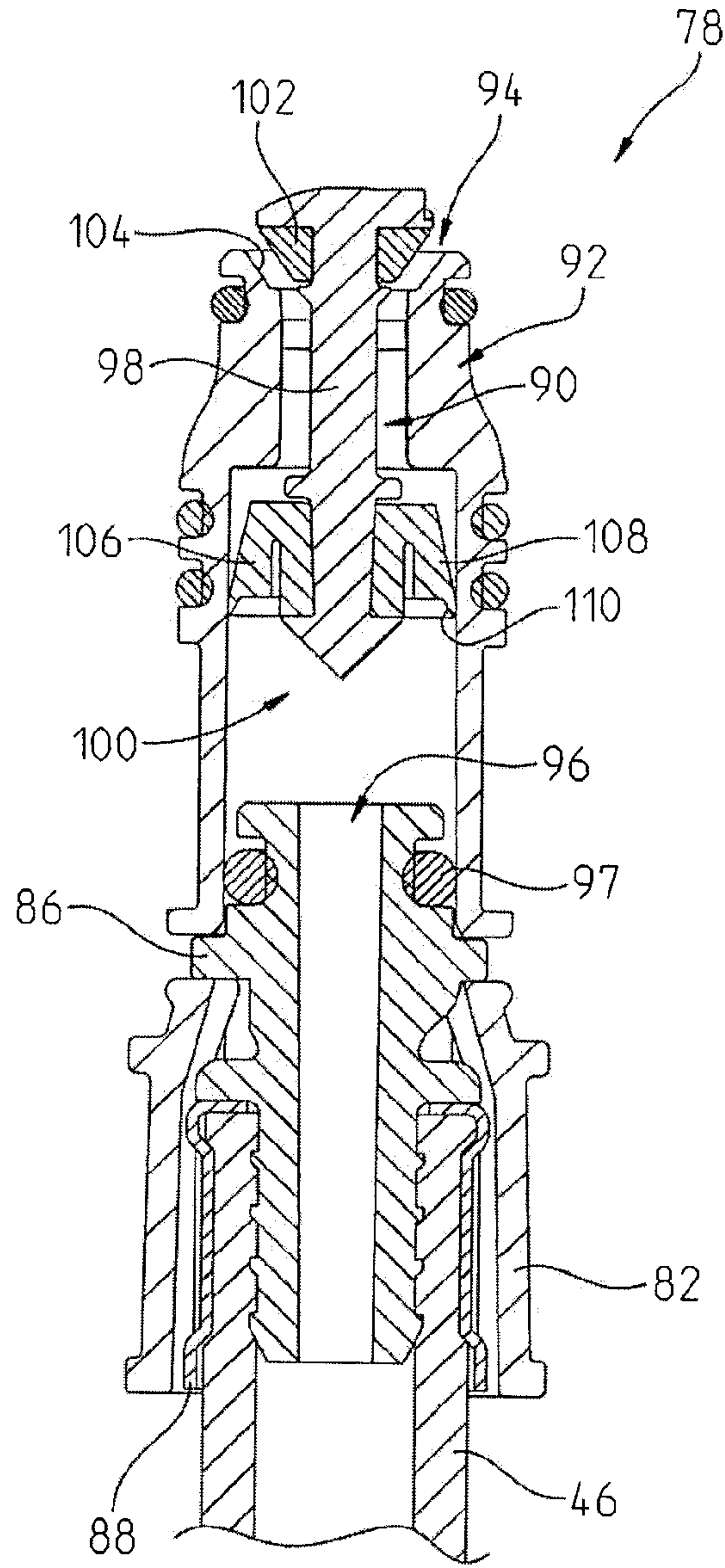


FIG. 8B

10/18

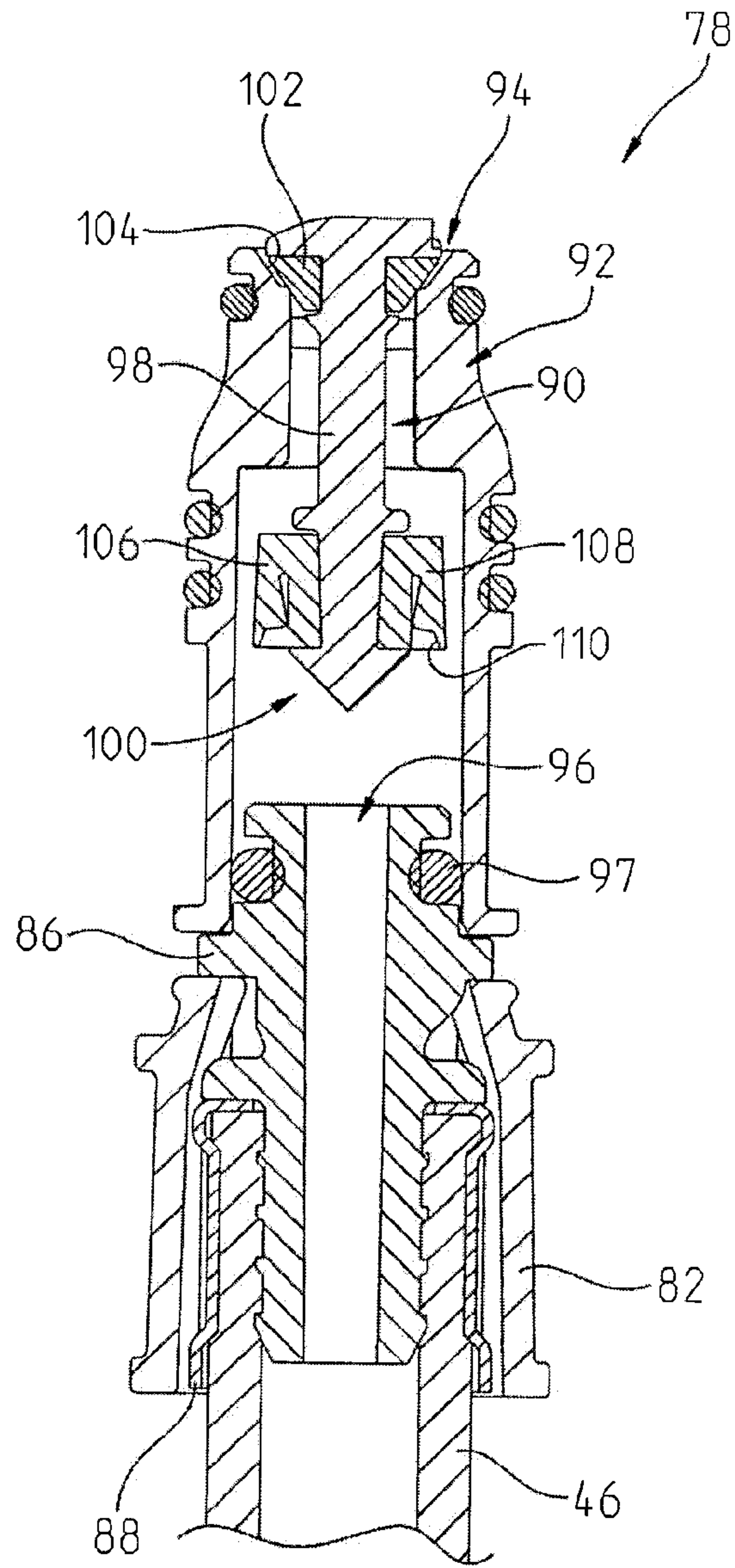
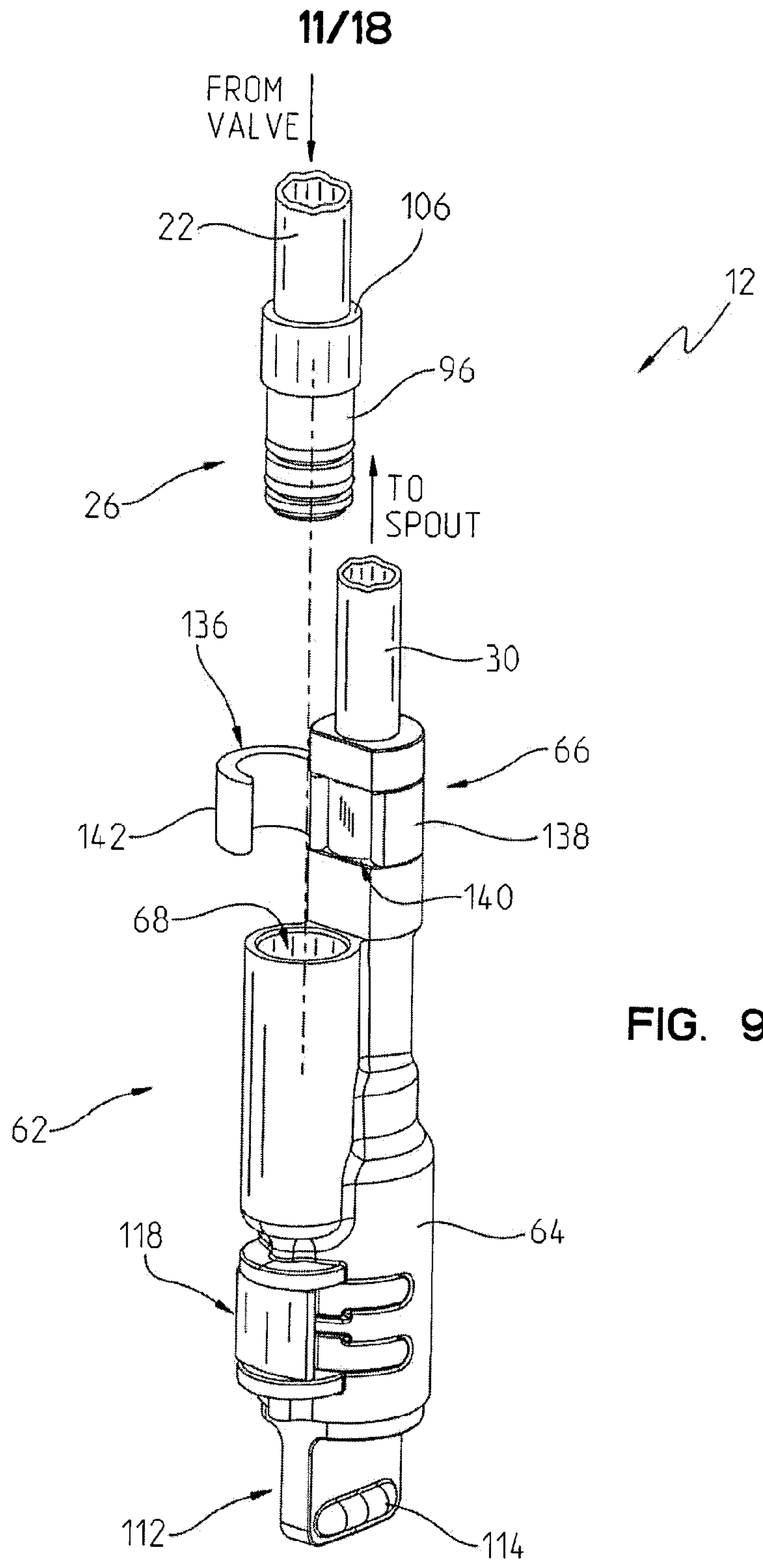


FIG. 8C



**FIG. 9**

12/18

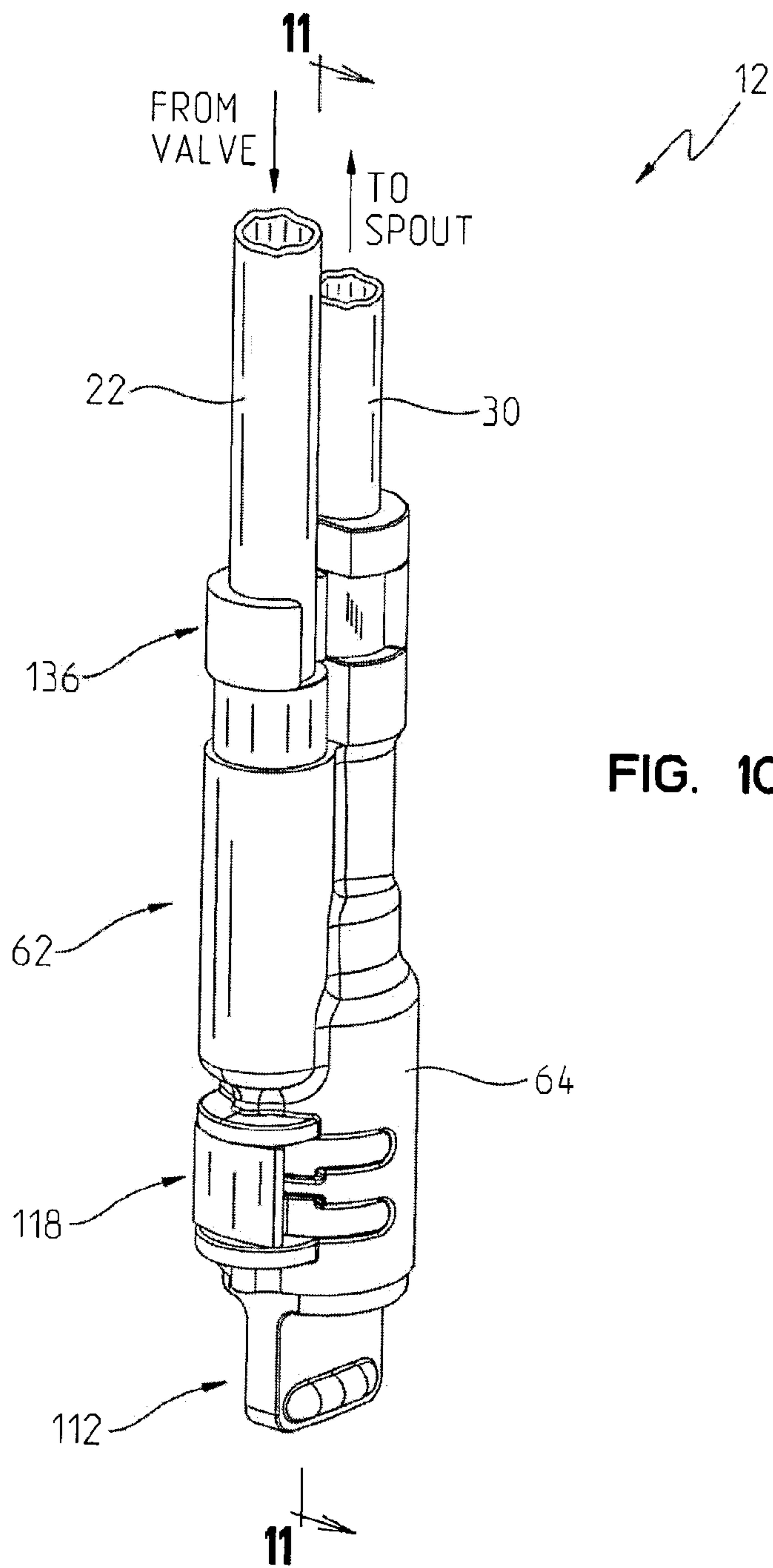


FIG. 10

13/18

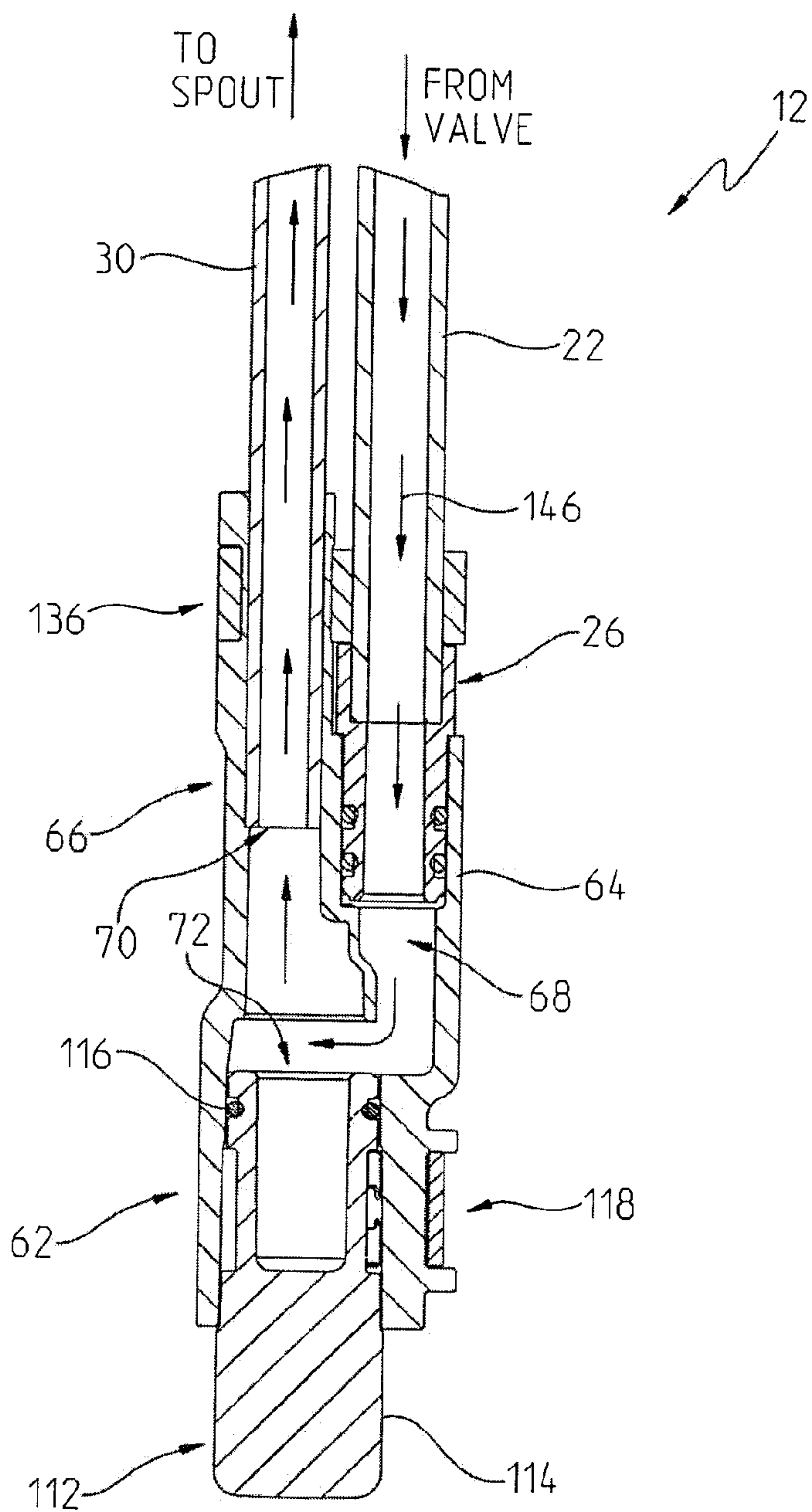


FIG. 11

14/18

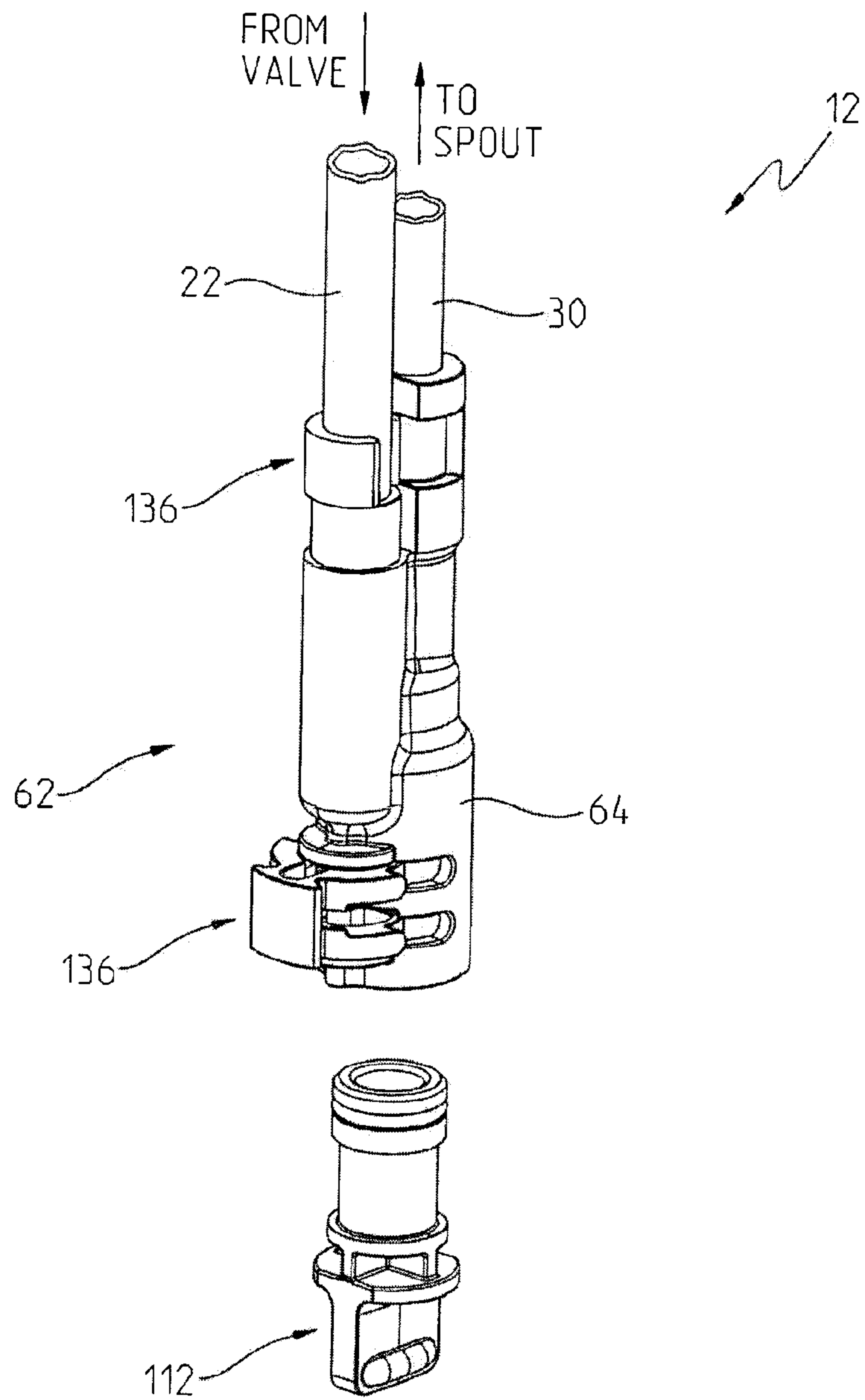


FIG. 12

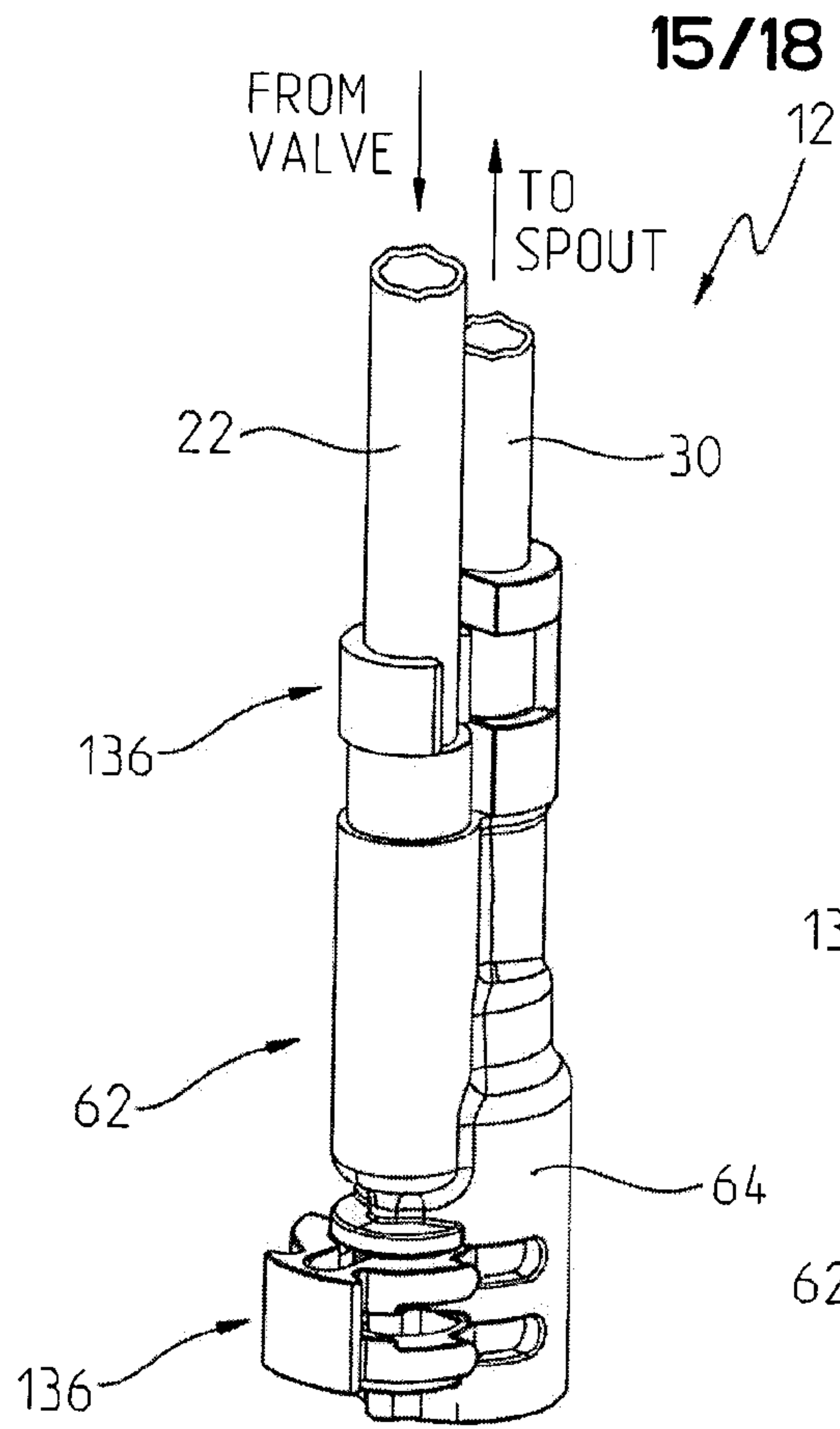


FIG. 13

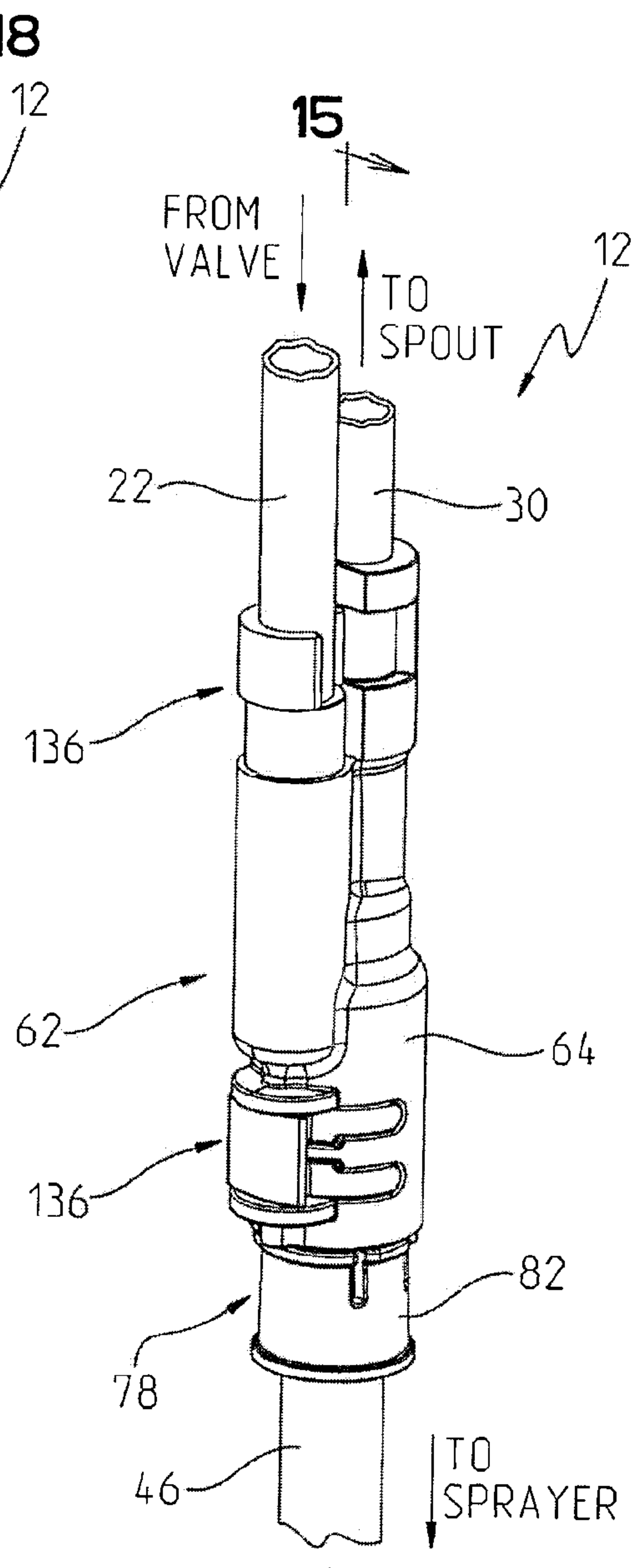
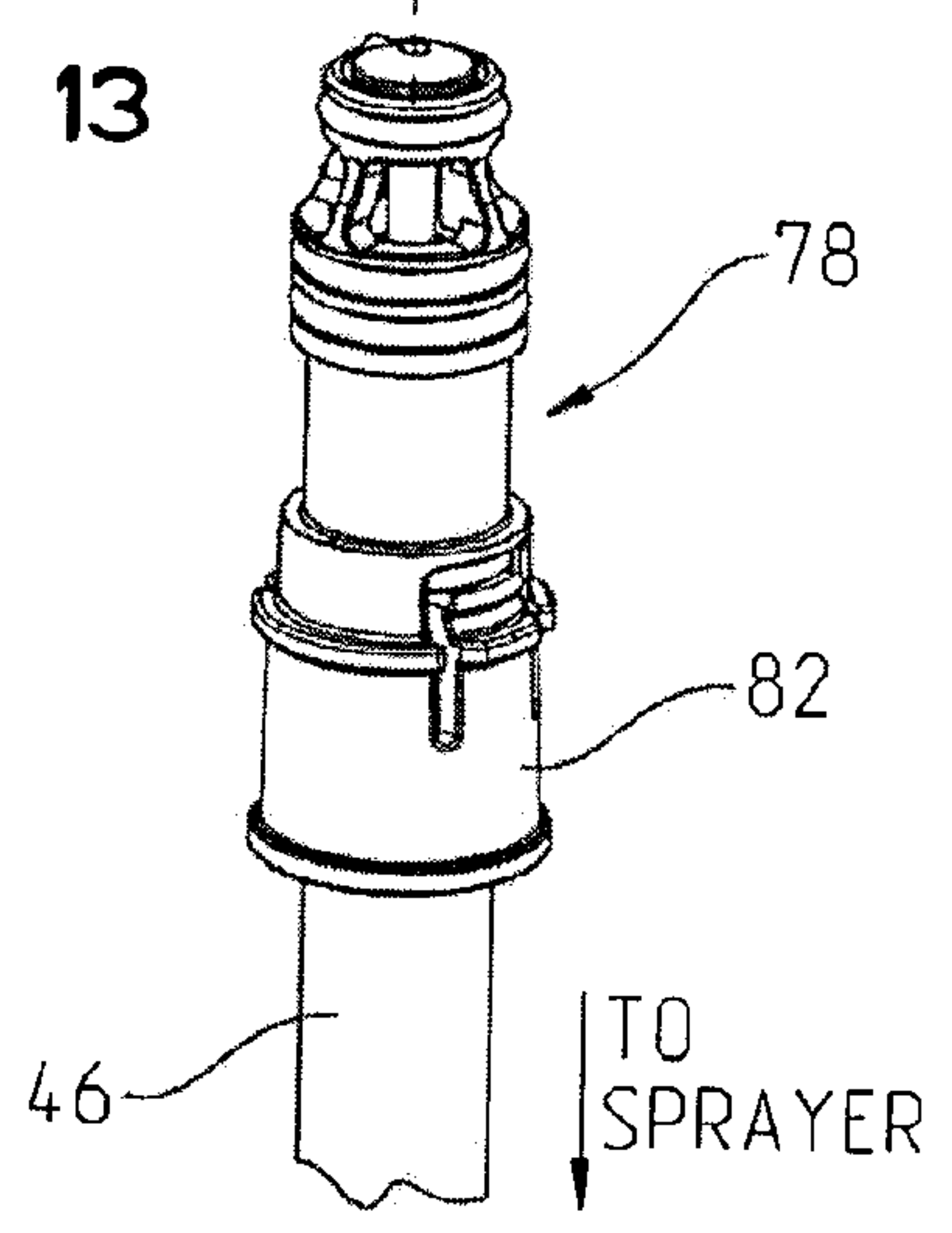
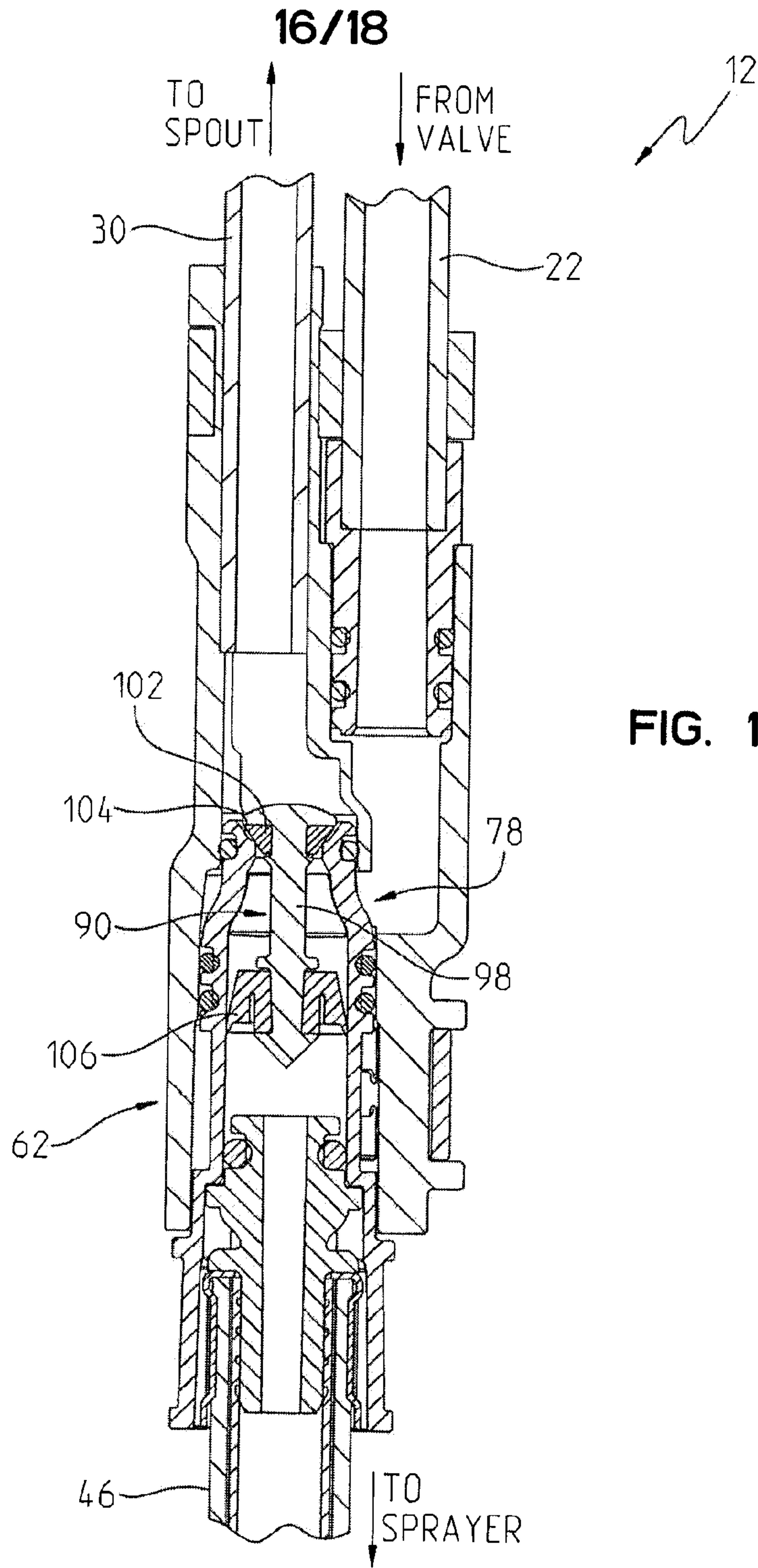
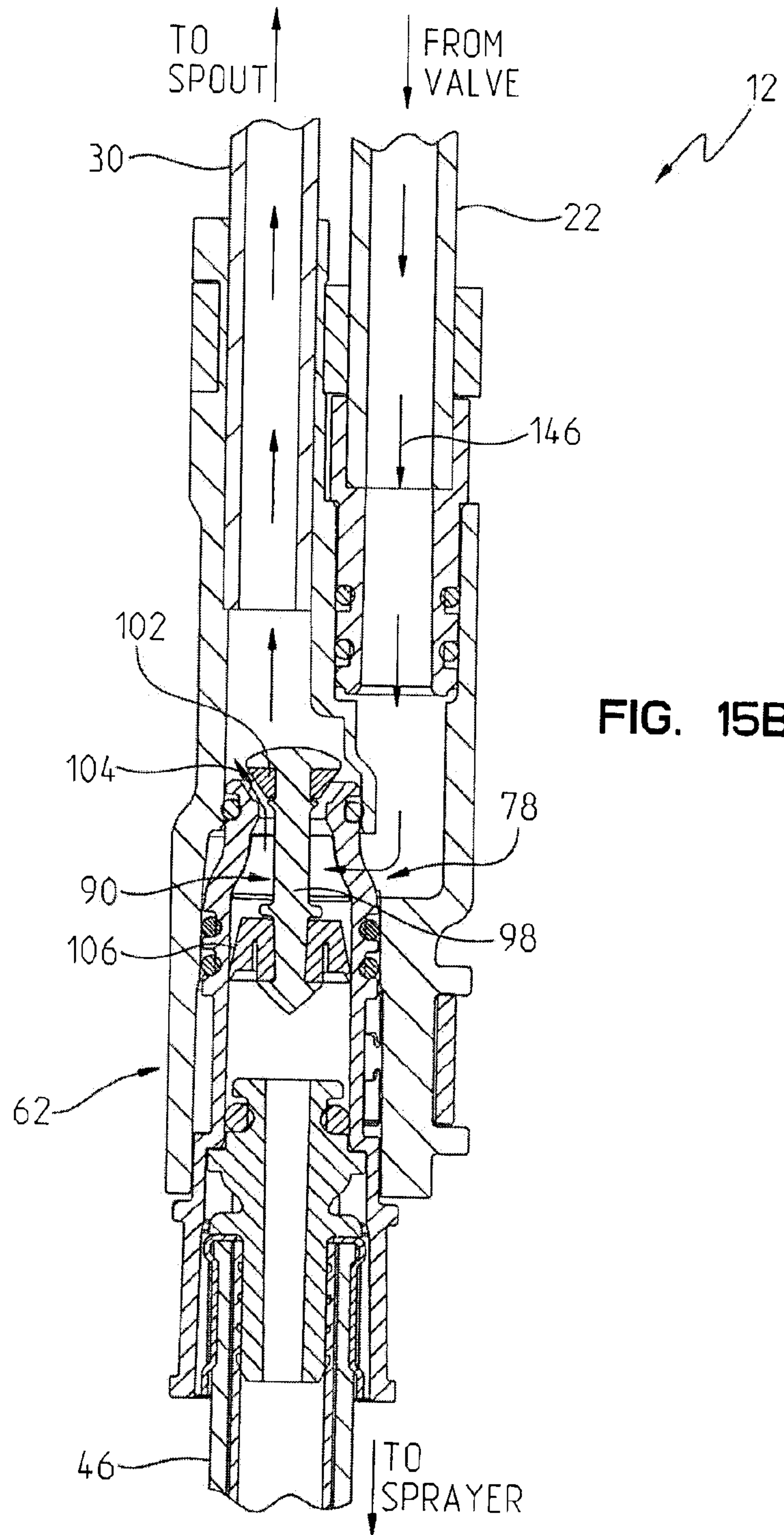


FIG. 14



**FIG. 15A**

17/18



18/18

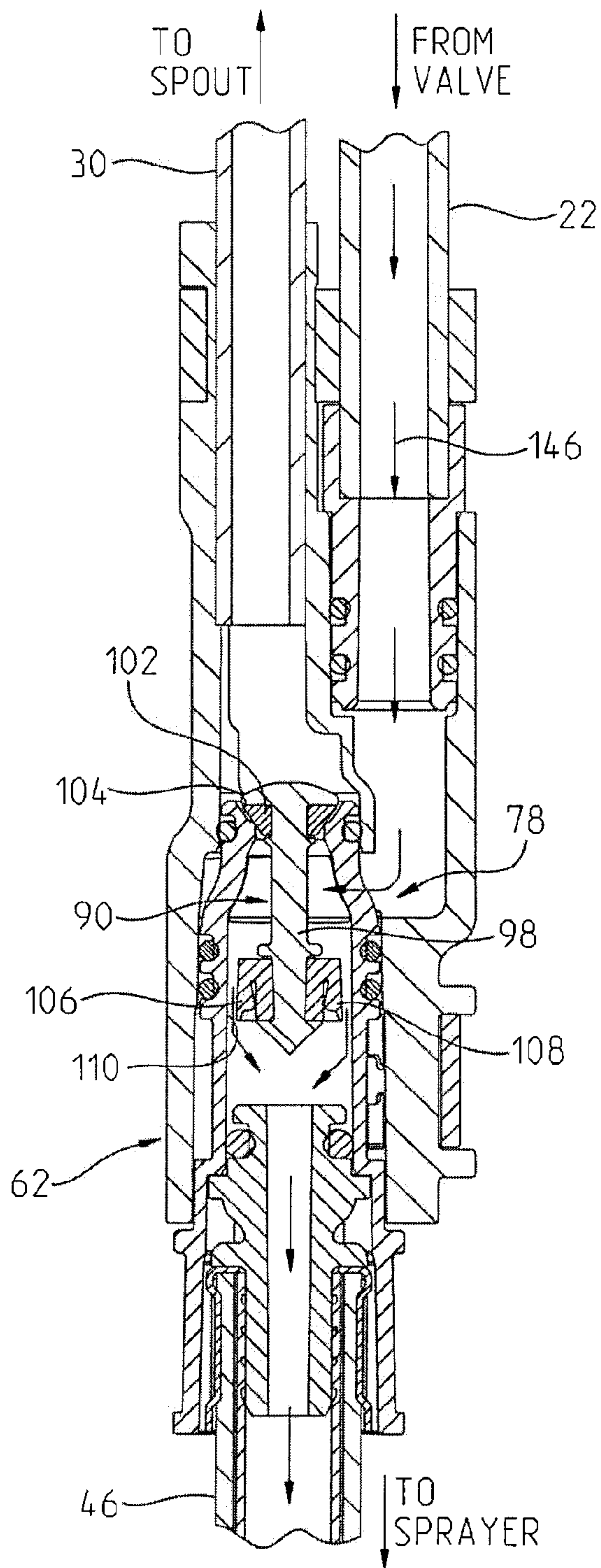


FIG. 15C

