



US00D351815S

United States Patent [19]
Bennett

[11] **Patent Number: Des. 351,815**

[45] **Date of Patent: ** Oct. 25, 1994**

- [54] **CUFF LINK**
- [75] Inventor: **Robert B. Bennett**, Englewood, N.J.
- [73] Assignee: **Chromalloy American Corporation**,
St. Louis, Mo.
- [**] Term: **14 Years**
- [21] Appl. No.: **5,805**
- [22] Filed: **Mar. 11, 1993**
- [52] U.S. Cl. **D11/222**
- [58] Field of Search 24/41-47;
D11/200, 213, 214, 215, 216, 226, 227, 228, 222,
56

3,144,692 8/1964 Espino D11/226

Primary Examiner—Ralf T. Seifert
Attorney, Agent, or Firm—Mitchell D. Bittman

[57] **CLAIM**

The ornamental design for a cuff link, as shown and described.

DESCRIPTION

FIG. 1 is a perspective view of a cuff link showing my new design;
 FIG. 2 is an enlarged partial perspective view, the portion not showing has been removed for ease of illustration;
 FIG. 3 is a front elevational view showing the shank in an alternate position;
 FIG. 4 is a side elevational view of FIG. 3;
 FIG. 5 is a top plan view of FIG. 3;
 FIG. 6 is a bottom plan view of FIG. 3; and,
 FIG. 7 is a rear elevational view of FIG. 1.

- [56] **References Cited**
- U.S. PATENT DOCUMENTS**
- D. 111,057 8/1938 Anderson D11/213
- D. 263,765 4/1982 Engelhardt D11/226
- D. 290,446 6/1987 Bulgari D11/56

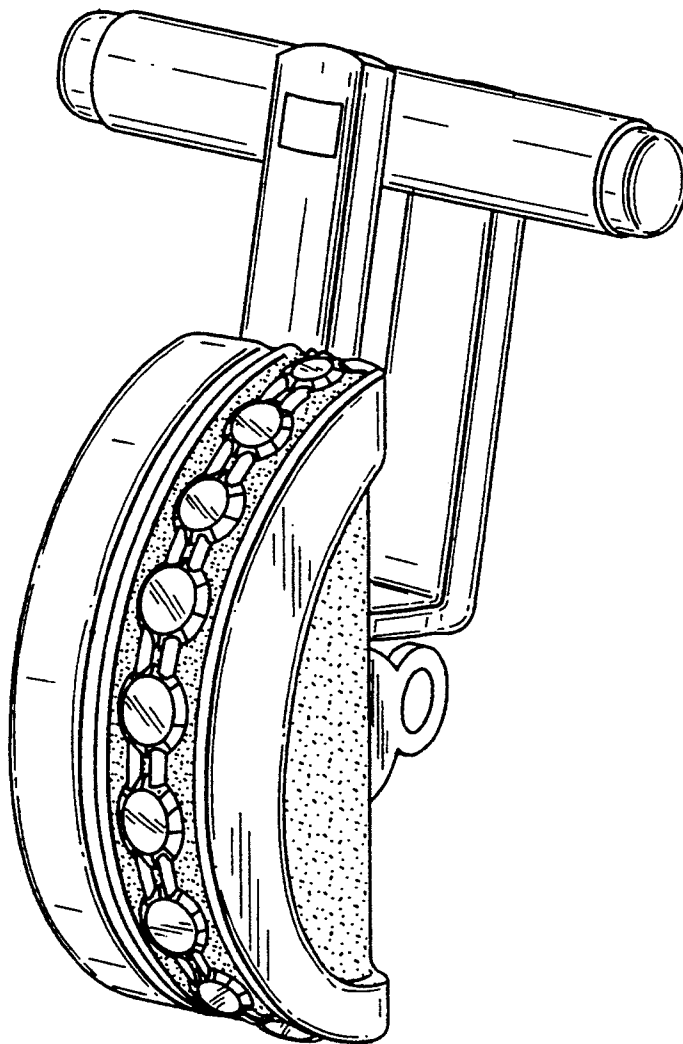


FIG-1

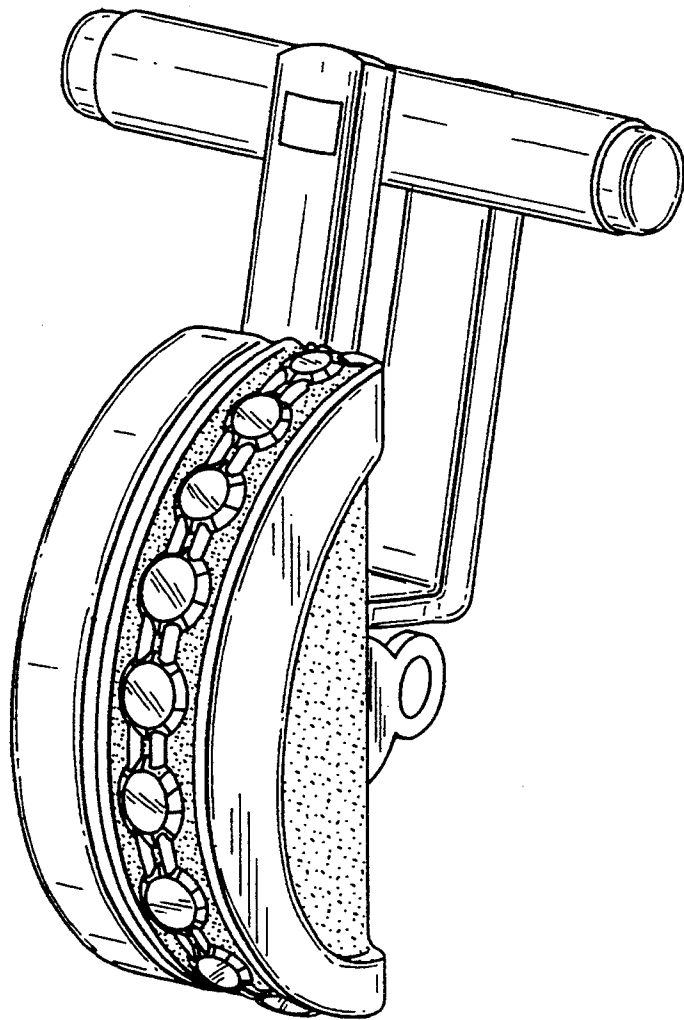


FIG-2

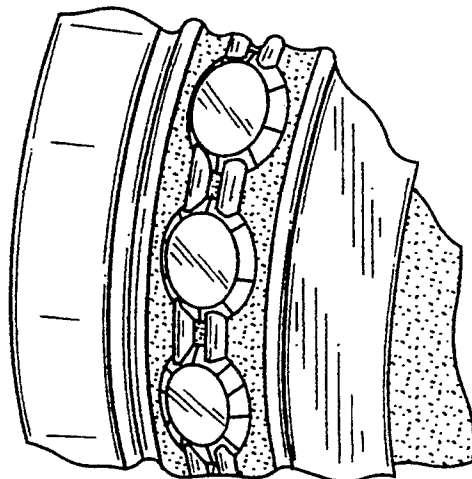


FIG-3

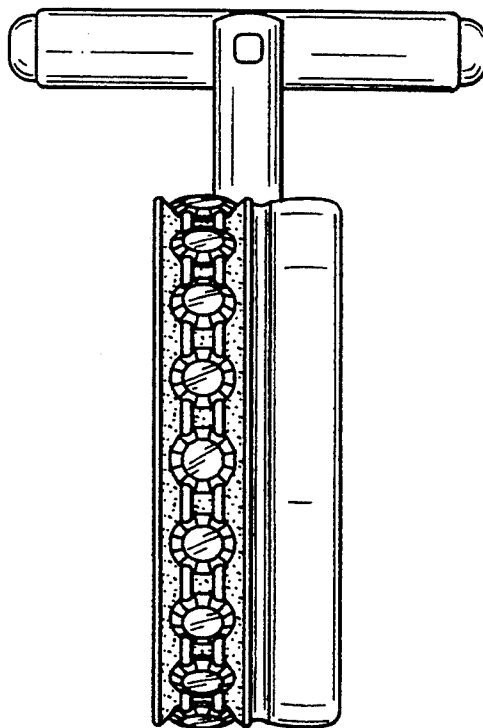


FIG-4

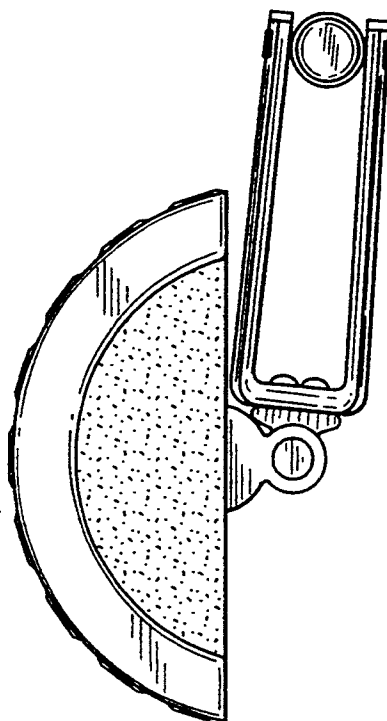


FIG-5

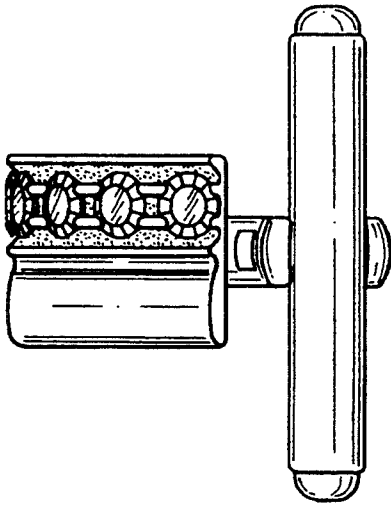


FIG-6

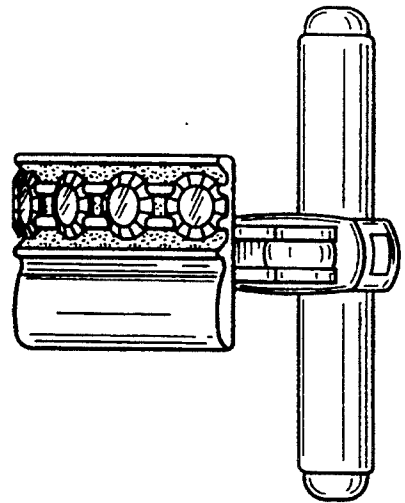


FIG-7

