

(19) World Intellectual Property Organization  
International Bureau



(43) International Publication Date  
23 August 2001 (23.08.2001)

PCT

(10) International Publication Number  
WO 01/60461 A3

- (51) International Patent Classification<sup>7</sup>: A63B 21/06
- (21) International Application Number: PCT/US01/40106
- (22) International Filing Date: 14 February 2001 (14.02.2001)
- (25) Filing Language: English
- (26) Publication Language: English
- (30) Priority Data:  
09/505,208 16 February 2000 (16.02.2000) US
- (71) Applicant: BRUNSWICK CORP. [US/US]; 10601 West Belmont Avenue, Franklin Park, IL 60131 (US).
- (72) Inventor: JONES, Gary, Allen; 2540 Cross Country Drive, Daytona Beach, FL 32124 (US).
- (74) Agent: STEGER, Steven, G.; Mayer, Brown & Platt, P.O. Box 2828, Chicago, IL 60690-2828 (US).

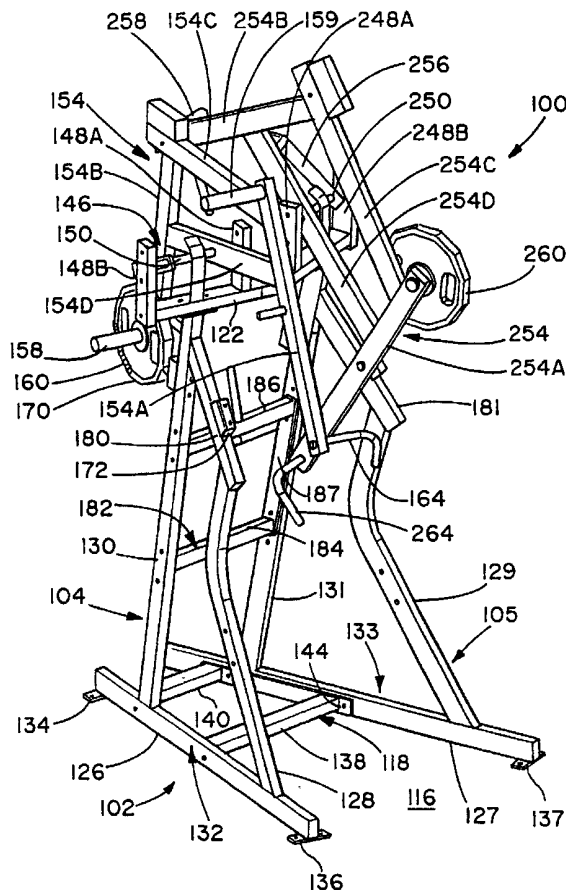
- (81) Designated States (*national*): AE, AG, AL, AM, AT, AU, AZ, BA, BB, BG, BR, BY, BZ, CA, CH, CN, CR, CU, CZ, DE, DK, DM, DZ, EE, ES, FI, GB, GD, GE, GH, GM, HR, HU, ID, IL, IN, IS, JP, KE, KG, KP, KR, KZ, LC, LK, LR, LS, LT, LU, LV, MA, MD, MG, MK, MN, MW, MX, MZ, NO, NZ, PL, PT, RO, RU, SD, SE, SG, SI, SK, SL, TJ, TM, TR, TT, TZ, UA, UG, UZ, VN, YU, ZA, ZW.
- (84) Designated States (*regional*): ARIPO patent (GH, GM, KE, LS, MW, MZ, SD, SL, SZ, TZ, UG, ZW), Eurasian patent (AM, AZ, BY, KG, KZ, MD, RU, TJ, TM), European patent (AT, BE, CH, CY, DE, DK, ES, FI, FR, GB, GR, IE, IT, LU, MC, NL, PT, SE, TR), OAPI patent (BF, BJ, CF, CG, CI, CM, GA, GN, GW, ML, MR, NE, SN, TD, TG).

Published:  
— with international search report

(88) Date of publication of the international search report:  
18 April 2002

[Continued on next page]

(54) Title: COMBINATION DECLINE EXERCISE MACHINE



(57) Abstract: A combination decline exercise machine (100) includes a base structure (102) that defines an exercise position (116). A lever (154, 254) is provided on the base structure (102) for pivotal movement about an axis (150, 250). The axis (150, 250) is located between opposite end portions of the lever (154, 254). A handle (164, 264) is associated with the lever (154, 254) so as to be engaged by an exerciser to move the handle (164, 264) about the axis (150, 250) in an upward direction to a raised position and in a downward direction toward to a lowered position. A first connector (159, 259) is provided on one end portion of the lever (154, 254) to apply selectively a first resistance against movement of the handle (154, 264) in the upward direction. A second connector (158, 258) is provided on the opposite end portion of the lever (154, 254) to apply selectively a second resistance against movement of the handle (164, 264) in the downward direction.



WO 01/60461 A3



---

*For two-letter codes and other abbreviations, refer to the "Guidance Notes on Codes and Abbreviations" appearing at the beginning of each regular issue of the PCT Gazette.*

# INTERNATIONAL SEARCH REPORT

International application No.

PCT/US01/40106

**A. CLASSIFICATION OF SUBJECT MATTER**

IPC(6) : A63B 21/06

US CL : 482/97

According to International Patent Classification (IPC) or to both national classification and IPC

**B. FIELDS SEARCHED**

Minimum documentation searched (classification system followed by classification symbols)

U.S. : 482/97, 100, 133-138

Documentation searched other than minimum documentation to the extent that such documents are included in the fields searched

Electronic data base consulted during the international search (name of data base and, where practicable, search terms used)

**C. DOCUMENTS CONSIDERED TO BE RELEVANT**

Category *	Citation of document, with indication, where appropriate, of the relevant passages	Relevant to claim No.
X	US 4,357,010 A (TELLE) 02 November 1982 (02.11.2001), Fig. 6, col. 4, line 59 to col. 5, line 18.	1-4,7,8,12,14-17,20
---		-----
Y		1-20
Y	US 5,554,089 A (JONES) 10 September 1996 (10.09.1996), col. 5, lines 30-64.	1-20
E, Y	US 6,203,474 B1 (JONES) 20 March 2001 (20.03.2001), entire document.	1-20

Further documents are listed in the continuation of Box C.

See patent family annex.

* Special categories of cited documents:			
"A"	document defining the general state of the art which is not considered to be of particular relevance	"T"	later document published after the international filing date or priority date and not in conflict with the application but cited to understand the principle or theory underlying the invention
"E"	earlier application or patent published on or after the international filing date	"X"	document of particular relevance; the claimed invention cannot be considered novel or cannot be considered to involve an inventive step when the document is taken alone
"L"	document which may throw doubts on priority claim(s) or which is cited to establish the publication date of another citation or other special reason (as specified)	"Y"	document of particular relevance; the claimed invention cannot be considered to involve an inventive step when the document is combined with one or more other such documents, such combination being obvious to a person skilled in the art
"O"	document referring to an oral disclosure, use, exhibition or other means	"&"	document member of the same patent family
"P"	document published prior to the international filing date but later than the priority date claimed		

Date of the actual completion of the international search

20 June 2001 (20.06.2001)

Date of mailing of the international search report

15 AUG 2001

Name and mailing address of the ISA/US

Commissioner of Patents and Trademarks  
Box PCT  
Washington, D.C. 20231

Facsimile No. (703)305-3230

Authorized officer

Victor K. Hwang

Telephone No. (703) 308-0858