



US0D1007983S

(12) **United States Design Patent**
Kang et al.

(10) **Patent No.:** **US D1,007,983 S**

(45) **Date of Patent:** **** Dec. 19, 2023**

(54) **SCREEN PROTECTOR INSTALLATION DEVICE**

(71) Applicant: **SPIGEN KOREA CO., LTD.**, Seoul (KR)

(72) Inventors: **Jihye Kang**, Seoul (KR); **Dong Kyung Choi**, Seoul (KR)

(73) Assignee: **SPIGEN KOREA CO., LTD.**, Seoul (KR)

(**) Term: **15 Years**

(21) Appl. No.: **29/792,306**

(22) Filed: **Mar. 20, 2022**

(51) **LOC (14) Cl.** **08-05**

(52) **U.S. Cl.**
USPC **D8/14**

(58) **Field of Classification Search**
USPC D8/14, 354, 71; D14/250, 251, 252, 253, D14/432, 440

CPC B26C 65/00; B32B 37/18; B32B 37/0046; B32B 37/003; B32B 38/1841; B29C 63/0004; B29C 2063/0008

See application file for complete search history.

(56) **References Cited**

U.S. PATENT DOCUMENTS

D637,648 S *	5/2011	Ringl	D19/86
D821,384 S *	6/2018	Jordin	D14/250
D904,840 S *	12/2020	Liu	D8/14
D908,472 S *	1/2021	Zhang	D8/354
D917,449 S *	4/2021	Nyholm	D14/250
D920,080 S *	5/2021	Hofstrand	D8/354
11,090,857 B1 *	8/2021	Zhong	B29C 63/0004
D937,834 S *	12/2021	Hyun	G06F 1/1637 D14/432

D945,251 S *	3/2022	Zhang	D8/354
D953,135 S *	5/2022	Yu	D8/14
D954,064 S *	6/2022	Li	D14/440
D963,444 S *	9/2022	Zhou	B29C 63/0004 D8/14
D964,828 S *	9/2022	Zhou	D8/14
D973,472 S *	12/2022	Zhong	D8/354
D974,864 S *	1/2023	Li	D8/14
D975,099 S *	1/2023	Li	D14/440
D975,523 S *	1/2023	Huang	D8/354
D981,195 S *	3/2023	Zhao	D8/14
D981,213 S *	3/2023	Zhou	D8/349
2021/0213672 A1 *	7/2021	Chou	B29C 63/0047
2022/0274352 A1 *	9/2022	Huang	G06F 1/1637

* cited by examiner

Primary Examiner — Philip S Hyder

(74) *Attorney, Agent, or Firm* — Bridgeway IP Law Group, PLLC; Jihun Kim; Hyun Woo Shin

(57) **CLAIM**

The ornamental design for a screen protector installation device, as shown and described.

DESCRIPTION

FIG. 1 is a top front perspective view of a screen protector installation device, showing my new design; FIG. 2 is a bottom front perspective view thereof; FIG. 3 is a front elevational view thereof; FIG. 4 is a rear elevational view thereof; FIG. 5 is a left side elevational view thereof; FIG. 6 is a right side elevational view thereof; FIG. 7 is a top plan view thereof; and, FIG. 8 is a bottom plan view thereof.

The broken lines throughout the drawing figures depict portions of the screen protector installation device that form no part of the claimed design. The broken lines and regions bounded by broken lines form no part of the claimed design.

1 Claim, 8 Drawing Sheets

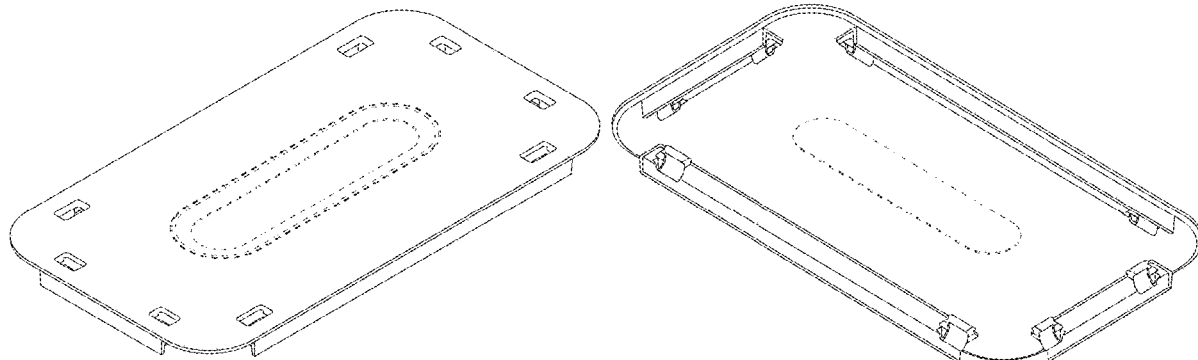


FIG. 1

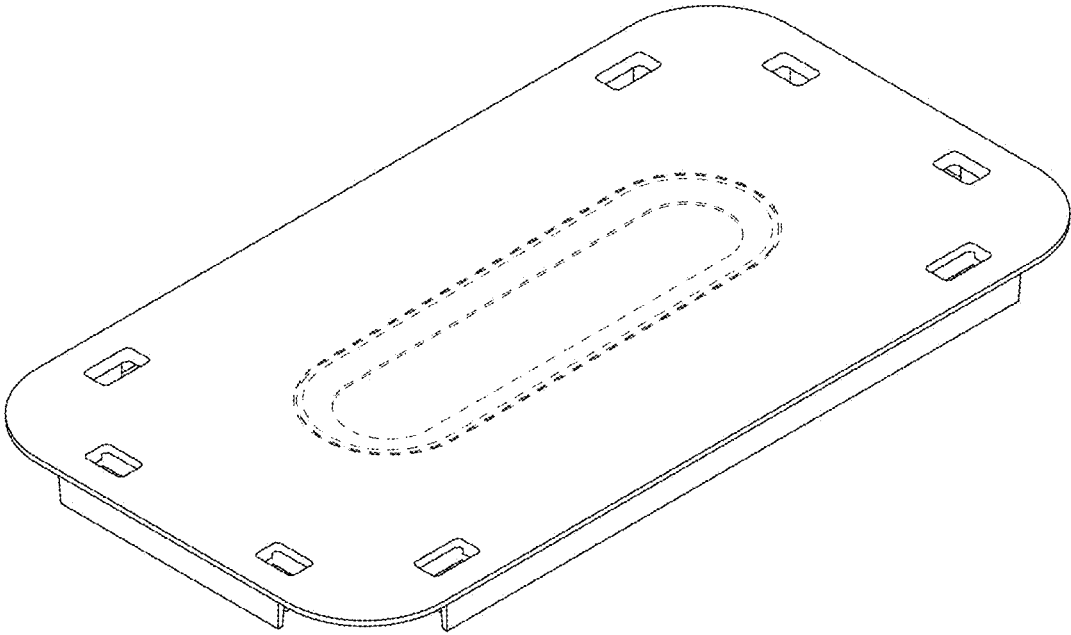


FIG. 2

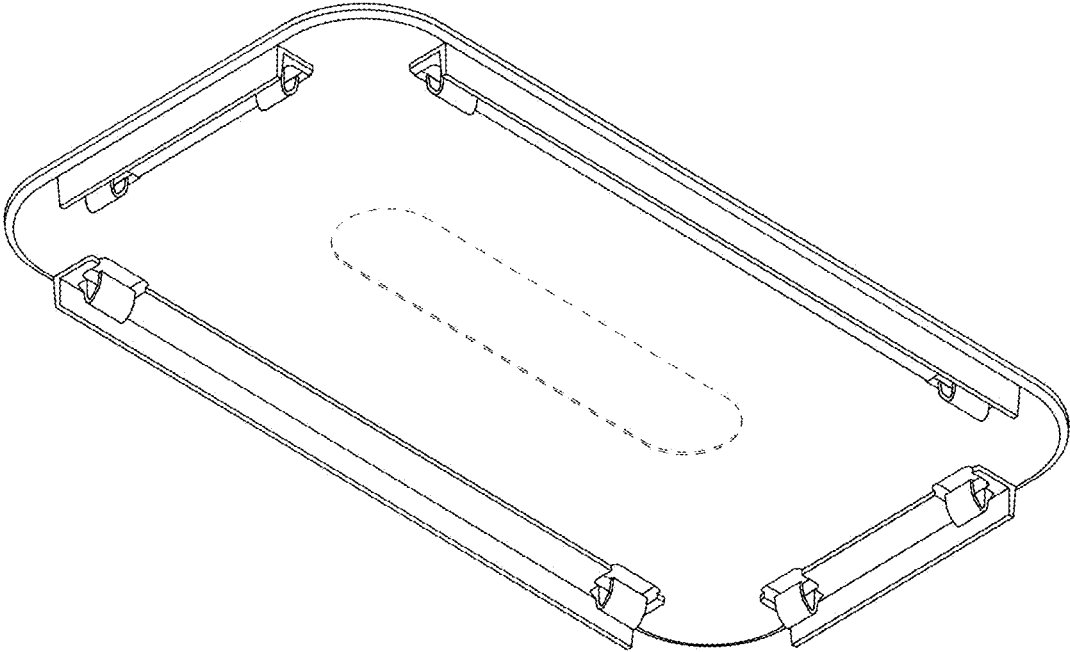


FIG. 3

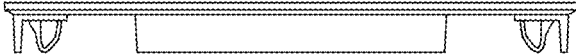


FIG. 4

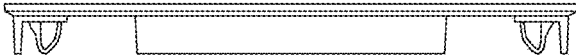


FIG. 5

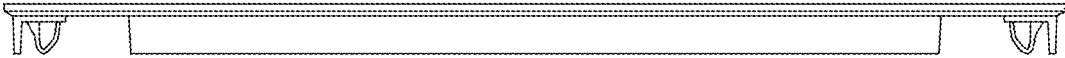


FIG. 6

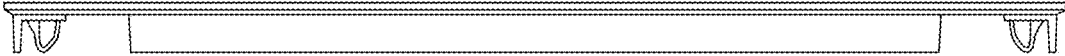


FIG. 7

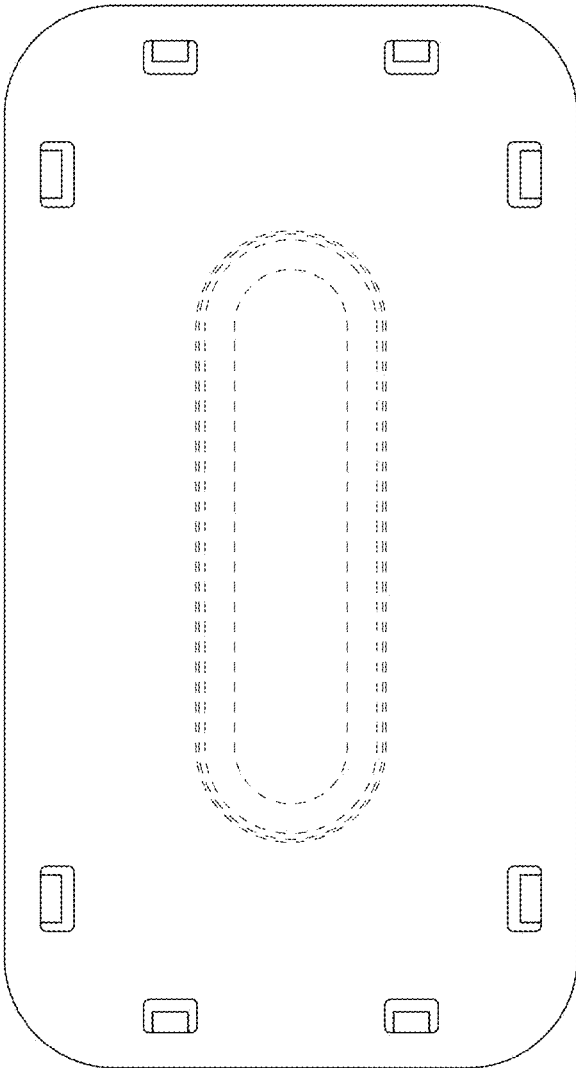


FIG. 8

