

(19) World Intellectual Property Organization  
International Bureau



(43) International Publication Date  
11 May 2006 (11.05.2006)

PCT

(10) International Publication Number  
**WO 2006/049772 A3**

(51) International Patent Classification:  
*F16L 3/08* (2006.01)      *F16G 11/00* (2006.01)  
*H01B 17/00* (2006.01)

AT, AU, AZ, BA, BB, BG, BR, BW, BY, BZ, CA, CH, CN, CO, CR, CU, CZ, DE, DK, DM, DZ, EC, EE, EG, ES, FI, GB, GD, GE, GH, GM, HR, HU, ID, IL, IN, IS, JP, KE, KG, KM, KP, KR, KZ, LC, LK, LR, LS, LT, LU, LV, LY, MA, MD, MG, MK, MN, MW, MX, MZ, NA, NG, NI, NO, NZ, OM, PG, PH, PL, PT, RO, RU, SC, SD, SE, SG, SK, SL, SM, SY, TJ, TM, TN, TR, TT, TZ, UA, UG, US, UZ, VC, VN, YU, ZA, ZM, ZW.

(21) International Application Number:  
PCT/US2005/035195

(22) International Filing Date: 3 October 2005 (03.10.2005)

(25) Filing Language: English

(26) Publication Language: English

(30) Priority Data:  
10/976,832      1 November 2004 (01.11.2004)      US

(84) Designated States (unless otherwise indicated, for every kind of regional protection available): ARIPO (BW, GH, GM, KE, LS, MW, MZ, NA, SD, SL, SZ, TZ, UG, ZM, ZW), Eurasian (AM, AZ, BY, KG, KZ, MD, RU, TJ, TM), European (AT, BE, BG, CH, CY, CZ, DE, DK, EE, ES, FI, FR, GB, GR, HU, IE, IS, IT, LT, LU, LV, MC, NL, PL, PT, RO, SE, SI, SK, TR), OAPI (BF, BJ, CF, CG, CI, CM, GA, GN, GQ, GW, ML, MR, NE, SN, TD, TG).

(71) Applicant (for all designated States except US): MIL-TOPE CORPORATION [US/US]; 500 Richardson Road South, Hope Hull, AL 36043 (US).

Published:  
— with international search report  
— before the expiration of the time limit for amending the claims and to be republished in the event of receipt of amendments

(72) Inventor; and  
(75) Inventor/Applicant (for US only): ZUEGER, Richard [US/US]; 8424 Vintage Way, Montgomery, AL 36116 (US).

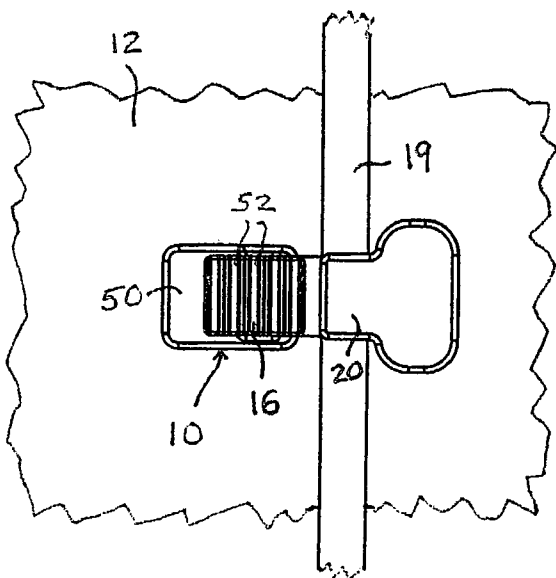
(88) Date of publication of the international search report:  
1 February 2007

(74) Agent: SHANNON, John, P.; Merek, Blackmon & Voorhees, LLC, 673 S. Washington St., Alexandria, VA 22314 (US).

For two-letter codes and other abbreviations, refer to the "Guidance Notes on Codes and Abbreviations" appearing at the beginning of each regular issue of the PCT Gazette.

(81) Designated States (unless otherwise indicated, for every kind of national protection available): AE, AG, AL, AM,

(54) Title: RESTRAINT DEVICE FOR ELECTRICAL WIRES AND CABLES



(57) Abstract: A restraint device including a catch defining a space for receiving a wire and a movable member mounted for movement between a first position, in which the member is spaced from the catch, such that a wire is able to be inserted sideways into the space, and a second position, in which the movable member prevents the wire from being inserted sideways into the space. A biasing device resiliently urges the movable member toward the second position, such that the movable member clamps the wire against the catch. The restraint device is mounted on the casing of a computer or the like, or on a mounting member securable in or across an opening in the casing. One or more of the restraint devices can be mounted on a mounting member.

WO 2006/049772 A3

**INTERNATIONAL SEARCH REPORT**

International application No.

PCT/US05/35195

**A. CLASSIFICATION OF SUBJECT MATTER**

IPC: **F16L 3/08**( 2006.01);**H01B 17/00**( 2006.01);**F16G 11/00**( 2006.01)

USPC: 248/65,51,52,70,316.1,316.6. 227.4;24/136R;174/168

According to International Patent Classification (IPC) or to both national classification and IPC

**B. FIELDS SEARCHED**

Minimum documentation searched (classification system followed by classification symbols)

U.S. : 248/65, 51, 52, 70, 316.1, 316.6. 227.4; 24/136R; 174/168

Documentation searched other than minimum documentation to the extent that such documents are included in the fields searched  
NONE

Electronic data base consulted during the international search (name of data base and, where practicable, search terms used)  
NONE

**C. DOCUMENTS CONSIDERED TO BE RELEVANT**

Category *	Citation of document, with indication, where appropriate, of the relevant passages	Relevant to claim No.
X	US 2,650,948 A (FINDLAY) 01 September 1953 (01.09.1953), see entire document.	1-10, 12-15, 17-19, 27, & 28
A	US 3,175,263 A (BERNSTEIN) 30 March 1965 (30.03.1965), see entire document.	1-28
A	US 3,664,620 A (BRANUM) 23 Mary 1972 (23.05.1972), see entire document.	1-28
A	US 4,846,725 A (WILLIAMS et al) 11 July 1989 (11.07.1989), see entire document.	1-28
A	US 5,622,341 A (STANA) 22 April 1997 (22.04.1997), see entire document.	1-28
A	US 5,979,840 A (HOLLISTER et al) 09 November 1999 (09.11.1999), see entire document.	1-28
A	US 7,025,621 B2 (MOSSNER et al) 11 April 2006 (11.04.2006), see entire document.	1-28

Further documents are listed in the continuation of Box C.

See patent family annex.

* Special categories of cited documents:		
"A" document defining the general state of the art which is not considered to be of particular relevance	"T"	later document published after the international filing date or priority date and not in conflict with the application but cited to understand the principle or theory underlying the invention
"E" earlier application or patent published on or after the international filing date	"X"	document of particular relevance; the claimed invention cannot be considered novel or cannot be considered to involve an inventive step when the document is taken alone
"L" document which may throw doubts on priority claim(s) or which is cited to establish the publication date of another citation or other special reason (as specified)	"Y"	document of particular relevance; the claimed invention cannot be considered to involve an inventive step when the document is combined with one or more other such documents, such combination being obvious to a person skilled in the art
"O" document referring to an oral disclosure, use, exhibition or other means		
"P" document published prior to the international filing date but later than the priority date claimed	"&"	document member of the same patent family

Date of the actual completion of the international search

27 September 2006 (27.09.2006)

Date of mailing of the international search report

30 NOV 2006

Name and mailing address of the ISA/US

Mail Stop PCT, Attn: ISA/US  
Commissioner for Patents  
P.O. Box 1450  
Alexandria, Virginia 22313-1450

Facsimile No. (571) 273-3201

Authorized officer

Anita M. King

Telephone No. (571) 272-5350

