

(19) World Intellectual Property Organization
International Bureau



(43) International Publication Date
27 December 2002 (27.12.2002)

PCT

(10) International Publication Number
WO 02/102754 A3

(51) International Patent Classification⁷: C07C 47/19,
45/58, 31/20, 29/141

(21) International Application Number: PCT/US02/16187

(22) International Filing Date: 22 May 2002 (22.05.2002)

(25) Filing Language: English

(26) Publication Language: English

(30) Priority Data:
09/882,346 15 June 2001 (15.06.2001) US

(71) Applicant: ARCO CHEMICAL TECHNOLOGY, L.P.
[US/US]; Two Greenville Crossing, 4001 Kennett Pike,
Suite 238, Greenville, DE 19807 (US).

(72) Inventor: HAN, Yuan-Zhang; 235 Oxford Road, West
Chester, PA 19380 (US).

(74) Agents: CARROLL, Kevin, M. et al.; Lyondell Chemical
Company, 3801 West Chester Pike, Newtown Square, PA
19073 (US).

(81) Designated States (*national*): AE, AG, AL, AM, AT, AU,
AZ, BA, BB, BG, BR, BY, BZ, CA, CH, CN, CO, CR, CU,
CZ, DE, DK, DM, DZ, EC, EE, ES, FI, GB, GD, GE, GH,
GM, HR, HU, ID, IL, IN, IS, JP, KE, KG, KP, KR, KZ, LC,
LK, LR, LS, LT, LU, LV, MA, MD, MG, MK, MN, MW,
MX, MZ, NO, NZ, OM, PH, PL, PT, RO, RU, SD, SE, SG,
SI, SK, SL, TJ, TM, TN, TR, TT, TZ, UA, UG, UZ, VN,
YU, ZA, ZM, ZW.

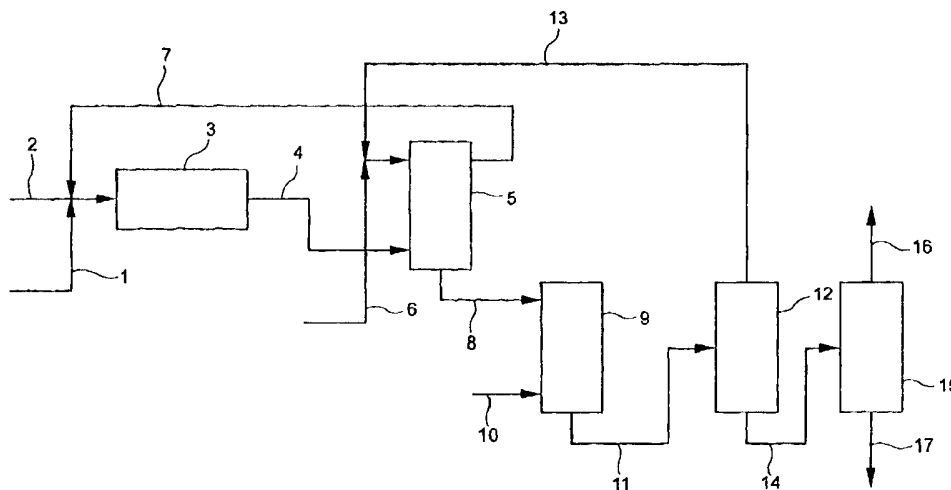
(84) Designated States (*regional*): ARIPO patent (GH, GM,
KE, LS, MW, MZ, SD, SL, SZ, TZ, UG, ZM, ZW),
Eurasian patent (AM, AZ, BY, KG, KZ, MD, RU, TJ, TM),
European patent (AT, BE, CH, CY, DE, DK, ES, FI, FR,
GB, GR, IE, IT, LU, MC, NL, PT, SE, TR), OAPI patent
(BF, BJ, CF, CG, CI, CM, GA, GN, GQ, GW, ML, MR,
NE, SN, TD, TG).

Published:
— with international search report

(88) Date of publication of the international search report:
8 May 2003

For two-letter codes and other abbreviations, refer to the "Guidance Notes on Codes and Abbreviations" appearing at the beginning of each regular issue of the PCT Gazette.

(54) Title: PROCESS FOR THE PREPARATION OF 3-HYDROXYPROPANAL



(57) Abstract: Ethylene oxide is hydroformylated to 3-hydroxypropanal using a non-phosphine-ligated cobalt catalyst and diamine promoter.



WO 02/102754 A3

INTERNATIONAL SEARCH REPORT

International Application No

PCT/US 02/16187

A. CLASSIFICATION OF SUBJECT MATTER

IPC 7 C07C47/19 C07C45/58 C07C31/20 C07C29/141

According to International Patent Classification (IPC) or to both national classification and IPC

B. FIELDS SEARCHED

Minimum documentation searched (classification system followed by classification symbols)

IPC 7 C07C

Documentation searched other than minimum documentation to the extent that such documents are included in the fields searched

Electronic data base consulted during the international search (name of data base and, where practical, search terms used)

EPO-Internal, WPI Data, BEILSTEIN Data, CHEM ABS Data

C. DOCUMENTS CONSIDERED TO BE RELEVANT

Category °	Citation of document, with indication, where appropriate, of the relevant passages	Relevant to claim No.
A	US 5 585 528 A (POWELL J B ET AL) 17 December 1996 (1996-12-17) cited in the application the whole document, particularly column 4, lines 22-58 ---	1-5
A	US 4 096 188 A (WILKES J B) 20 June 1978 (1978-06-20) cited in the application the whole document ---	1
P,X	US 6 376 720 B1 (HAN Y-Z) 23 April 2002 (2002-04-23) the whole document -----	1-5

Further documents are listed in the continuation of box C.

Patent family members are listed in annex.

° Special categories of cited documents:

- *A* document defining the general state of the art which is not considered to be of particular relevance
- *E* earlier document but published on or after the international filing date
- *L* document which may throw doubts on priority claim(s) or which is cited to establish the publication date of another citation or other special reason (as specified)
- *O* document referring to an oral disclosure, use, exhibition or other means
- *P* document published prior to the international filing date but later than the priority date claimed

- *T* later document published after the international filing date or priority date and not in conflict with the application but cited to understand the principle or theory underlying the invention
- *X* document of particular relevance; the claimed invention cannot be considered novel or cannot be considered to involve an inventive step when the document is taken alone
- *Y* document of particular relevance; the claimed invention cannot be considered to involve an inventive step when the document is combined with one or more other such documents, such combination being obvious to a person skilled in the art.
- * & * document member of the same patent family

Date of the actual completion of the international search

10 December 2002

Date of mailing of the international search report

23/12/2002

Name and mailing address of the ISA

European Patent Office, P.B. 5818 Patentlaan 2
NL - 2280 HV Rijswijk
Tel. (+31-70) 340-2040, Tx. 31 651 epo nl,
Fax: (+31-70) 340-3016

Authorized officer

Allard, M

INTERNATIONAL SEARCH REPORT

Information on patent family members

International Application No

PCT/US 02/16187

Patent document cited in search report		Publication date	Patent family member(s)	Publication date
US 5585528	A	17-12-1996	AT 174320 T	15-12-1998
			AU 694573 B2	23-07-1998
			AU 3744595 A	26-04-1996
			BR 9509110 A	14-07-1998
			CN 1158603 A , B	03-09-1997
			CZ 9700944 A3	18-02-1998
			DE 69506574 D1	21-01-1999
			DE 69506574 T2	17-06-1999
			DK 783476 T3	16-08-1999
			WO 9610552 A1	11-04-1996
			EP 0783476 A1	16-07-1997
			ES 2126937 T3	01-04-1999
			FI 971268 A	26-03-1997
			HU 77464 A2	28-05-1998
			JP 10507747 T	28-07-1998
			NO 971421 A	25-03-1997
			NZ 294599 A	23-12-1998
			PL 319439 A1	04-08-1997
			RU 2142934 C1	20-12-1999
			SK 38897 A3	05-11-1997
			TR 960269 A2	21-06-1996
			TW 415935 B	21-12-2000
			US 5777182 A	07-07-1998
			ZA 9508161 A	20-06-1996
<hr/>				
US 4096188	A	20-06-1978	NONE	
<hr/>				
US 6376720	B1	23-04-2002	NONE	
<hr/>				