

(19) World Intellectual Property  
Organization  
International Bureau

(43) International Publication Date  
22 June 2017 (22.06.2017)



(10) International Publication Number  
**WO 2017/103646 A9**

- (51) International Patent Classification:  
*B61C 17/04* (2006.01)      *B61D 17/04* (2006.01)
- (21) International Application Number:  
PCT/IB2015/002625
- (22) International Filing Date:  
18 December 2015 (18.12.2015)
- (25) Filing Language: English
- (26) Publication Language: English
- (71) Applicant: **ALSTOM TRANSPORT TECHNOLOGIES** [FR/FR]; 48 rue Albert Dhahenne, 93400 Saint-ouen (FR).
- (72) Inventors: **SICOT, Patrick**; 7, faubourg de Niederbronn, 67110 Reichshoffen (FR). **RENVERSE, Jean-Luc**; 1, Allée des Aubépines, 59770 Marly (FR). **FOGLI, Mario**; 23, rue Ghesquière, 59172 Roelux (FR). **ROBYN, Arnaud**; 39, Avenue Guillaume Apollinaire, 59880 Saint Saulve (FR).
- (74) Agent: **BLOT, Philippe** et al.; Cabinet Lavoix, 2, place d'Estienne d'Orves, 75009 Paris (FR).
- (81) Designated States (unless otherwise indicated, for every kind of national protection available): AE, AG, AL, AM, AO, AT, AU, AZ, BA, BB, BG, BH, BN, BR, BW, BY, BZ, CA, CH, CL, CN, CO, CR, CU, CZ, DE, DK, DM, DO, DZ, EC, EE, EG, ES, FI, GB, GD, GE, GH, GM, GT, HN, HR, HU, ID, IL, IN, IR, IS, JP, KE, KG, KN, KP, KR, KZ, LA,

(54) Title: ELECTRICAL EQUIPMENT COMPARTMENT FOR INTEGRATION IN A DEFORMABLE DRIVER CABIN FOR AN URBAN RAILWAY VEHICLE

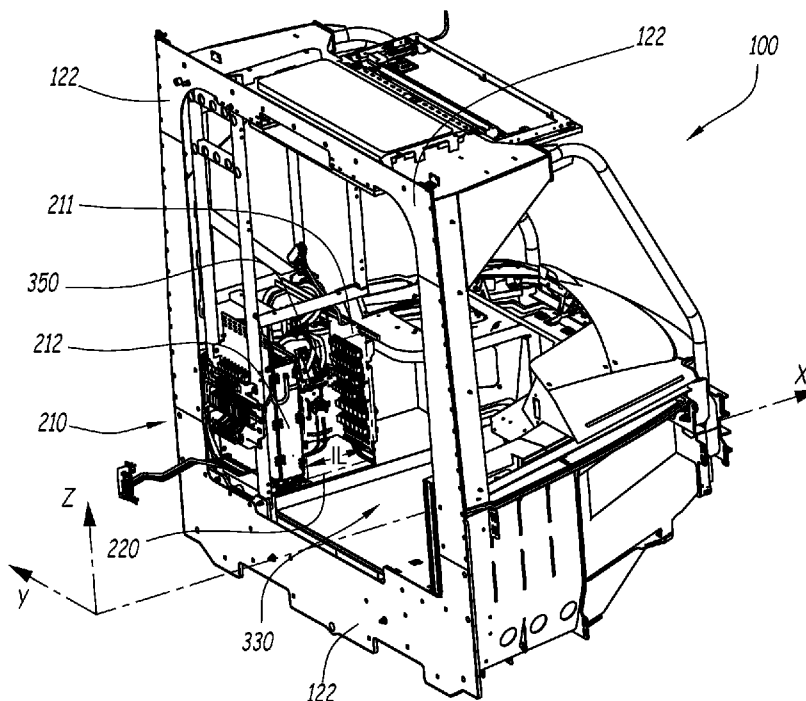


Fig.3

(57) Abstract: A driver cabin (100) for an urban railway vehicle, said driver cabin (100) extending in a longitudinal driving direction (X) and comprising: - a cabin chassis including at least one main shock-absorbing area having a longitudinal extend defined between a front plane oriented transversally to the longitudinal driving direction (X) and a rear plane oriented transversally to the longitudinal driving direction (X), the main shock-absorbing area being able to deform in case of a shock between an initial state and a shock-absorbed state, so that in the shock-absorbed state the longitudinal extend of the main shock-absorbing area is reduced about a predefined compression distance; - an electrical equipment compartment storing at least one stiff electrical element (210) carrying electronic components. The electrical equipment compartment is located inside the main shock-absorbing area.



WO 2017/103646 A9

LC, LK, LR, LS, LU, LY, MA, MD, ME, MG, MK, MN, MW, MX, MY, MZ, NA, NG, NI, NO, NZ, OM, PA, PE, PG, PH, PL, PT, QA, RO, RS, RU, RW, SA, SC, SD, SE, SG, SK, SL, SM, ST, SV, SY, TH, TJ, TM, TN, TR, TT, TZ, UA, UG, US, UZ, VC, VN, ZA, ZM, ZW.

- (84) Designated States** (*unless otherwise indicated, for every kind of regional protection available*): ARIPO (BW, GH, GM, KE, LR, LS, MW, MZ, NA, RW, SD, SL, ST, SZ, TZ, UG, ZM, ZW), Eurasian (AM, AZ, BY, KG, KZ, RU, TJ, TM), European (AL, AT, BE, BG, CH, CY, CZ, DE, DK, EE, ES, FI, FR, GB, GR, HR, HU, IE, IS, IT, LT, LU, LV, MC, MK, MT, NL, NO, PL, PT, RO, RS, SE, SI, SK, SM, TR), OAPI (BF, BJ, CF, CG, CI, CM, GA, GN, GQ, GW, KM, ML, MR, NE, SN, TD, TG).

**Published:**

- *with international search report (Art. 21(3))*
- *before the expiration of the time limit for amending the claims and to be republished in the event of receipt of amendments (Rule 48.2(h))*

- (88) Date of publication of the revised international search report:**

21 June 2018 (21.06.2018)

- (15) Information about Correction:**

see Notice of 21 June 2018 (21.06.2018)

**INTERNATIONAL SEARCH REPORT**

International application No  
PCT/IB2015/002625

A. CLASSIFICATION OF SUBJECT MATTER  
INV. B61C17/04 B61D17/04  
ADD.  
According to International Patent Classification (IPC) or to both national classification and IPC

B. FIELDS SEARCHED  
Minimum documentation searched (classification system followed by classification symbols)  
B61C B61D  
Documentation searched other than minimum documentation to the extent that such documents are included in the fields searched

Electronic data base consulted during the international search (name of data base and, where practicable, search terms used)  
EPO-Internal, WPI Data

C. DOCUMENTS CONSIDERED TO BE RELEVANT

Category*	Citation of document, with indication, where appropriate, of the relevant passages	Relevant to claim No.
A	EP 2 407 367 A2 (BOMBARDIER TRANSP GMBH [DE]) 18 January 2012 (2012-01-18) abstract -----	1
A	US 2004/129169 A1 (BOLINTH HANS [DE] ET AL) 8 July 2004 (2004-07-08) paragraph [0012]; figures -----	1
A	AU 2003 203 693 A1 (DOWNER EDI LTD) 4 November 2004 (2004-11-04) figures 1-6 -----	1

Further documents are listed in the continuation of Box C.

See patent family annex.

\* Special categories of cited documents :

<p>"A" document defining the general state of the art which is not considered to be of particular relevance</p> <p>"E" earlier application or patent but published on or after the international filing date</p> <p>"L" document which may throw doubts on priority claim(s) or which is cited to establish the publication date of another citation or other special reason (as specified)</p> <p>"O" document referring to an oral disclosure, use, exhibition or other means</p> <p>"P" document published prior to the international filing date but later than the priority date claimed</p>	<p>"T" later document published after the international filing date or priority date and not in conflict with the application but cited to understand the principle or theory underlying the invention</p> <p>"X" document of particular relevance; the claimed invention cannot be considered novel or cannot be considered to involve an inventive step when the document is taken alone</p> <p>"Y" document of particular relevance; the claimed invention cannot be considered to involve an inventive step when the document is combined with one or more other such documents, such combination being obvious to a person skilled in the art</p> <p>"&amp;" document member of the same patent family</p>
---	---

Date of the actual completion of the international search <b>12 April 2018</b>	Date of mailing of the international search report <b>20/04/2018</b>
---	---

Name and mailing address of the ISA/ European Patent Office, P.B. 5818 Patentlaan 2 NL - 2280 HV Rijswijk Tel. (+31-70) 340-2040, Fax: (+31-70) 340-3016	Authorized officer <b>Schultze, Yves</b>
--	---

# INTERNATIONAL SEARCH REPORT

Information on patent family members

International application No PCT/IB2015/002625
---

Patent document cited in search report	Publication date	Patent family member(s)	Publication date
EP 2407367	A2	18-01-2012	EP 1768883 A1 04-04-2007
			EP 2407367 A2 18-01-2012
			ES 2394213 T3 23-01-2013
			ES 2559017 T3 10-02-2016
			GB 2411633 A 07-09-2005
			NO 334391 B1 24-02-2014
			WO 2005085032 A1 15-09-2005
-----			
US 2004129169	A1	08-07-2004	AT 388067 T 15-03-2008
			CA 2449904 A1 21-05-2004
			DE 10254440 A1 09-06-2004
			EP 1422118 A1 26-05-2004
			ES 2299659 T3 01-06-2008
			PT 1422118 E 05-05-2008
			US 2004129169 A1 08-07-2004
-----			
AU 2003203693	A1	04-11-2004	NONE
-----			