



US00D434230S

United States Patent [19]
Klein

[11] **Patent Number: Des. 434,230**

[45] **Date of Patent: ** Nov. 28, 2000**

[54] **TOOTHBRUSH**

[75] Inventor: **Horace C. Klein**, Skillman, N.J.

[73] Assignee: **McNeil-PPC, Inc.**, Skillman, N.J.

[**] Term: **14 Years**

[21] Appl. No.: **29/106,899**

[22] Filed: **Jun. 23, 1999**

[51] **LOC (7) Cl.** **04-02**

[52] **U.S. Cl.** **D4/104**

[58] **Field of Search** D4/104-112, 132,
D4/134, 138; 15/143.1, 159.1, 167.1, 167.2,
186-188, 207.2, DIG. 5, DIG. 6; 132/308;
601/139, 141

[56] **References Cited**

U.S. PATENT DOCUMENTS

D. 368,804 4/1996 Yost et al. D4/104
D. 371,241 7/1996 Dair et al. D4/104

D. 373,681 9/1996 Yost et al. D4/104
D. 374,350 10/1996 Yost et al. D4/104
4,672,706 6/1987 Hill 15/167.1
5,201,092 4/1993 Colson 15/167.1
5,419,001 5/1995 Wan 15/167.1

Primary Examiner—Alan P. Douglas

Assistant Examiner—Lavone Tabor

[57] **CLAIM**

The ornamental design for a toothbrush, as shown and described.

DESCRIPTION

FIG. 1 is a perspective view showing the toothbrush of my new design;

FIG. 2 is a top plan view thereof;

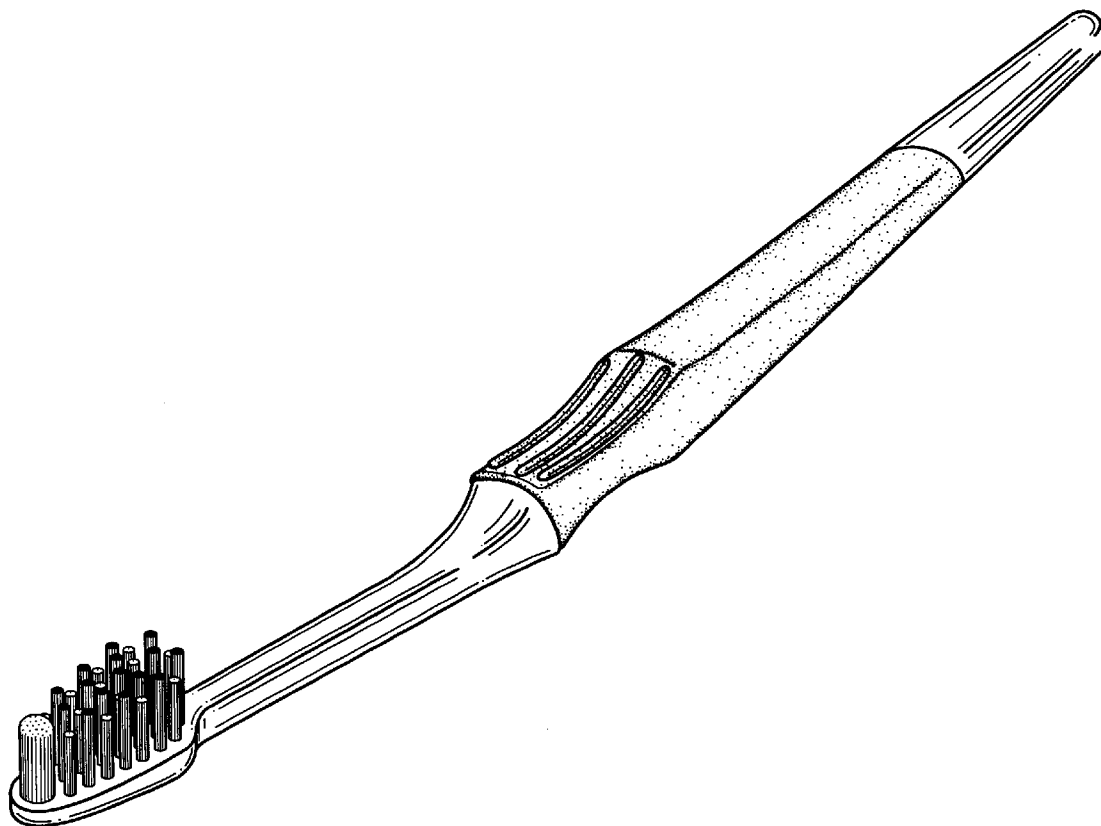
FIG. 3 is a side elevational view thereof, the opposite side being a mirror image;

FIG. 4 is a bottom plan view thereof;

FIG. 5 is a front elevational view thereof; and,

FIG. 6 is a rear elevational view thereof.

1 Claim, 3 Drawing Sheets



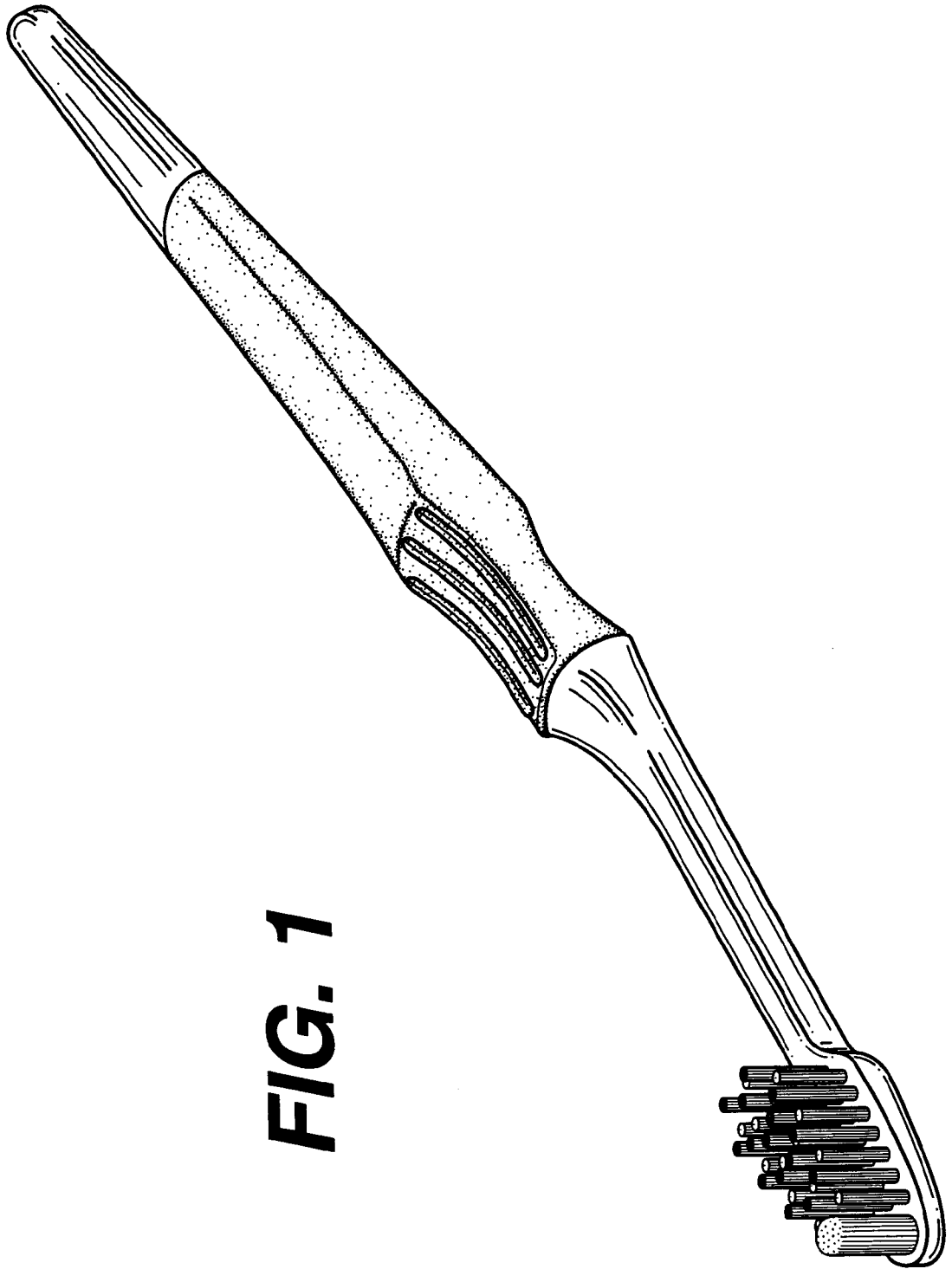


FIG. 1

FIG. 2



FIG. 3

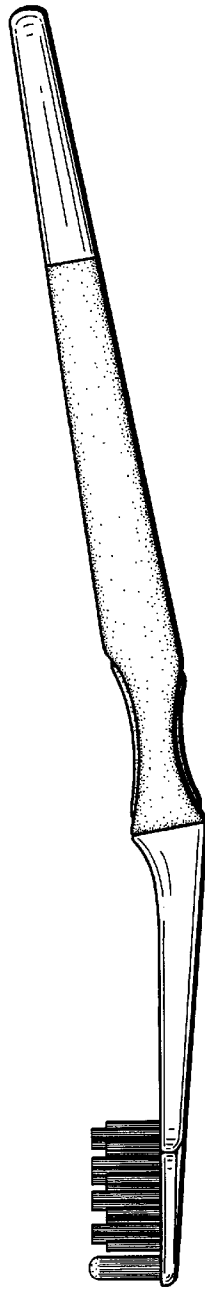


FIG. 4

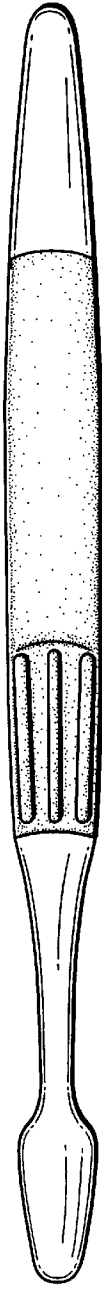


FIG. 5

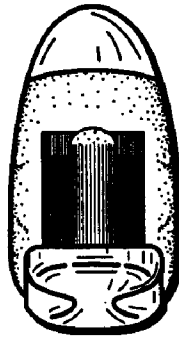


FIG. 6

