



US00D997019S

(12) **United States Design Patent**
Li

(10) **Patent No.:** **US D997,019 S**

(45) **Date of Patent:** **** Aug. 29, 2023**

- (54) **CHAIN**
- (71) Applicant: **Jingying Li, Yiwu (CN)**
- (72) Inventor: **Jingying Li, Yiwu (CN)**
- (**) Term: **15 Years**
- (21) Appl. No.: **29/874,192**
- (22) Filed: **Apr. 15, 2023**
- (51) **LOC (14) Cl.** **11-01**
- (52) **U.S. Cl.**
USPC **D11/13**
- (58) **Field of Classification Search**
USPC D11/12, 13, 15, 16, 17
CPC A44C 5/02; A44C 17/001; A44C 5/08
See application file for complete search history.

(56) **References Cited**

U.S. PATENT DOCUMENTS

D124,397 S *	12/1940	Silson	D11/16
D130,084 S *	10/1941	Philippe	D11/16
D131,847 S *	3/1942	Hobe	D11/15
D147,907 S *	11/1947	Katz	D11/12
D156,650 S *	12/1949	Pearce et al.	D11/12
2,852,923 A *	9/1958	Gamelsky	A44C 11/007 63/4
D257,017 S *	9/1980	Barr	D11/16
D348,855 S *	7/1994	Kelman	D11/12
D351,568 S *	10/1994	Pandel	D11/16
D431,203 S	9/2000	Forin	
6,629,434 B2 *	10/2003	Chia	A44C 11/007 63/3
D520,896 S *	5/2006	Levy	D11/12
D588,488 S *	3/2009	Ellia	D11/13
D729,105 S *	5/2015	Stegmann	D11/12
D811,930 S	3/2018	Amfitheatrof	
D814,964 S *	4/2018	LeVian	D11/91
D838,622 S *	1/2019	Vivat	D11/16

(Continued)

OTHER PUBLICATIONS

Radiant Cushion Cut Halo Diamond Tennis Bracelet, Anjolee Online Product Page. Earliest Publication Date: May 10, 2023. Date

Accessed: May 10, 2023. Retrieved from Internet URL: <https://www.anjolee.com/bracelets/red-carpet-bracelets/Radiant-Cushion-Cut-Halo-Diamond-Tennis-Bracelet.aspx> (Year: 2023).*

(Continued)

Primary Examiner — S. Bryan Reinholdt, Jr.
Assistant Examiner — Kaitlan Walker
(74) *Attorney, Agent, or Firm* — Vladimir Postnikov

(57) **CLAIM**

The ornamental design for a chain, as shown and described.

DESCRIPTION

FIG. 1 is a perspective view of a chain showing the new design;

FIG. 2 is another perspective view thereof;

FIG. 3 is a front elevation view thereof;

FIG. 4 is a back elevation view thereof;

FIG. 5 is a left-side view thereof;

FIG. 6 is a right-side view thereof;

FIG. 7 is a top plan view thereof;

FIG. 8 is a bottom plan view thereof;

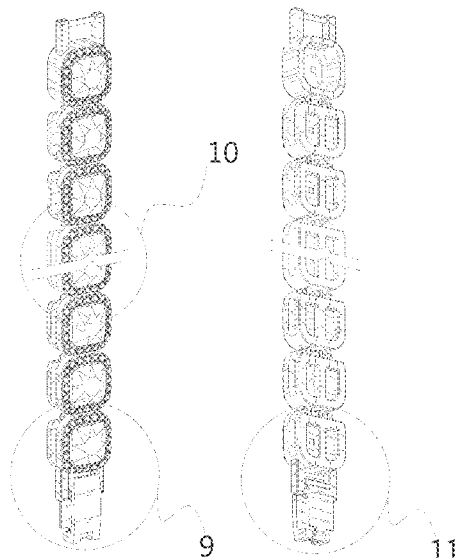
FIG. 9 is an enlarged perspective of the encircled portion in FIG. 1 thereof;

FIG. 10 is an enlarged perspective of the encircled portion in FIG. 1 thereof; and,

FIG. 11 is an enlarged perspective view of the encircled portion in FIG. 2.

The dash-dot broken lines represent a break line, which depicts a symbolic break in the length of the chain. The dash-dash broken lines illustrate portions of the chain. The dot-dot-dash broken lines represent the boundaries of the enlargements. All of the broken lines, and the appearance of any portion of the article between the break lines, form no part of the claimed design.

1 Claim, 11 Drawing Sheets



(56)

References Cited

U.S. PATENT DOCUMENTS

D877,641	S	*	3/2020	Vivat	D11/16
D889,307	S	*	7/2020	Vivat	D11/16
D945,904	S	*	3/2022	Riviere	D11/16
D958,688	S	*	7/2022	Kwon	D11/16
D980,104	S	*	3/2023	Yi	D11/12

OTHER PUBLICATIONS

Dewberry 10.30, Amazon Online Product Page. Earliest Publication Date: May 10, 2023. Date Accessed: May 10, 2023. Retrieved from Internet URL: <https://www.amazon.com/Dewberry-Bracelet-Statement-Bracelets-VS-SI-FG/dp/B0BWK1B4CR/ref=> (Year: 2023).*

* cited by examiner

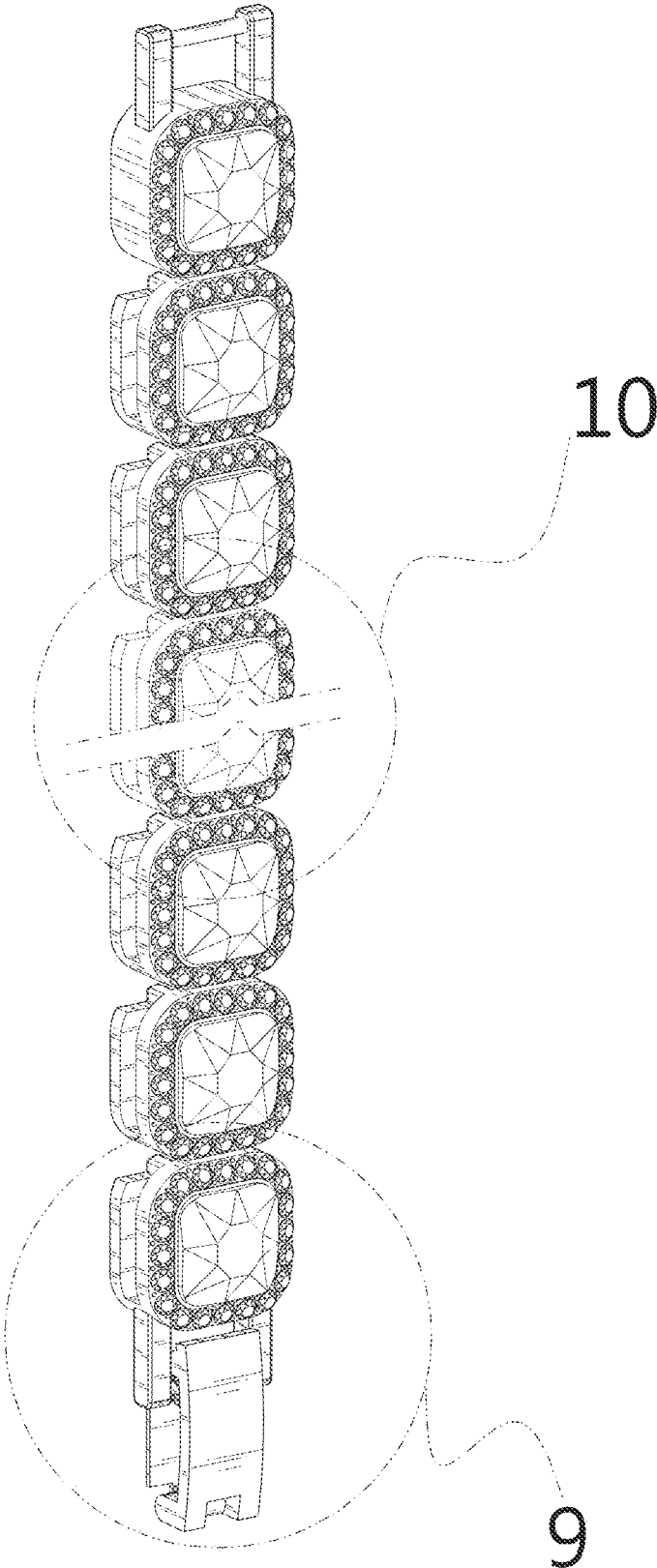


FIG. 1

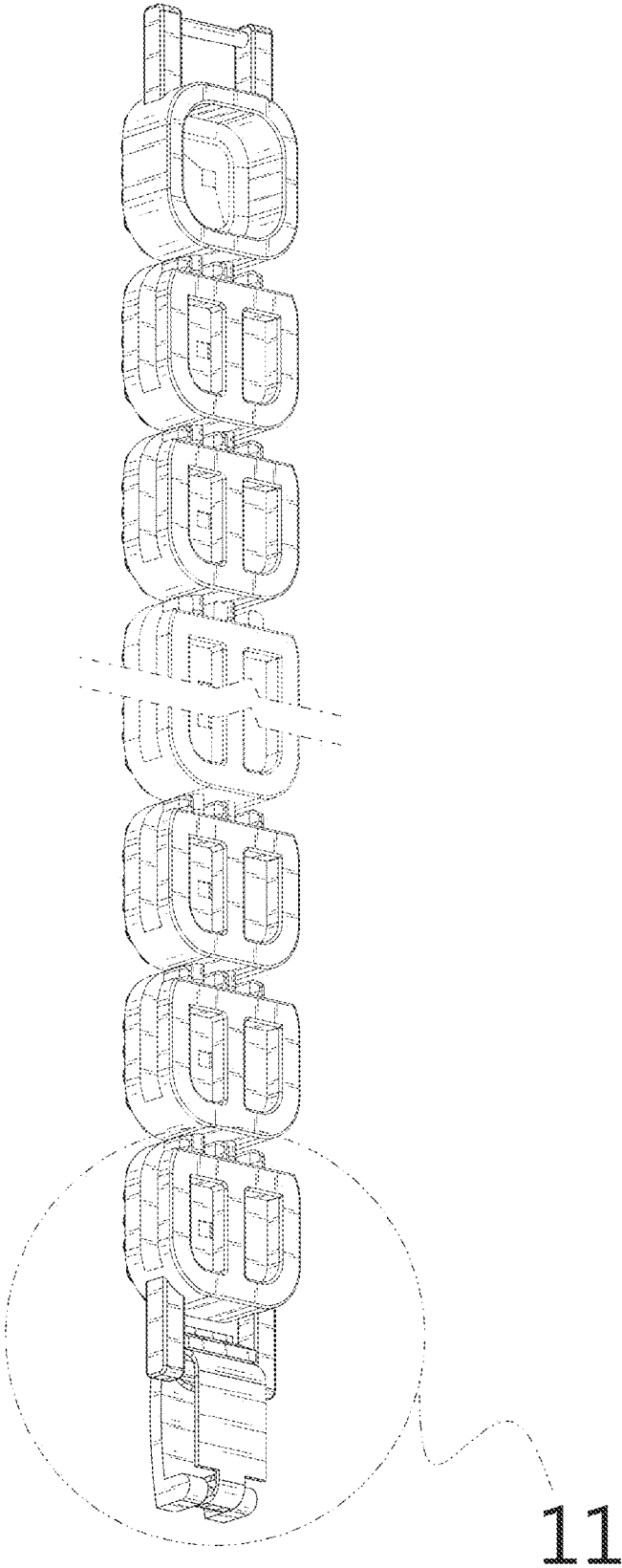


FIG. 2

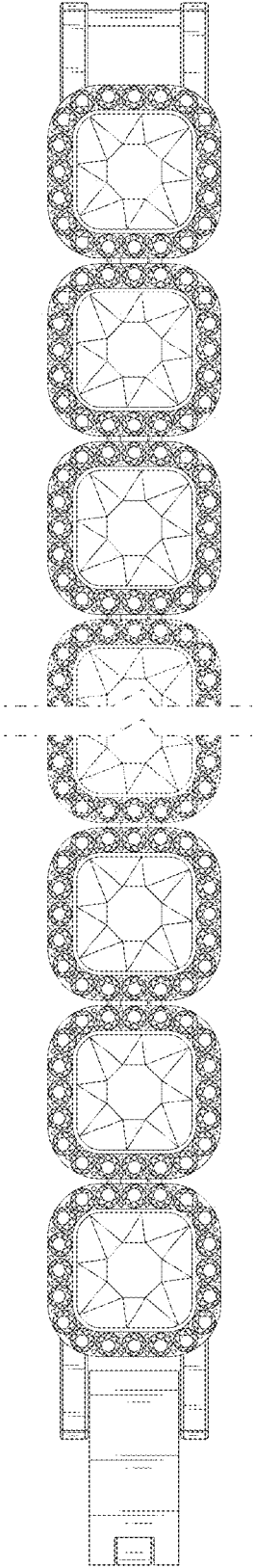


FIG. 3

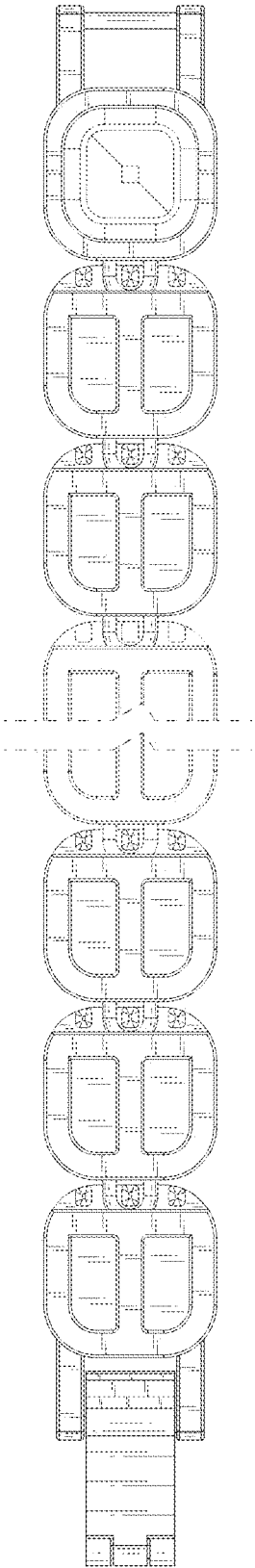


FIG. 4

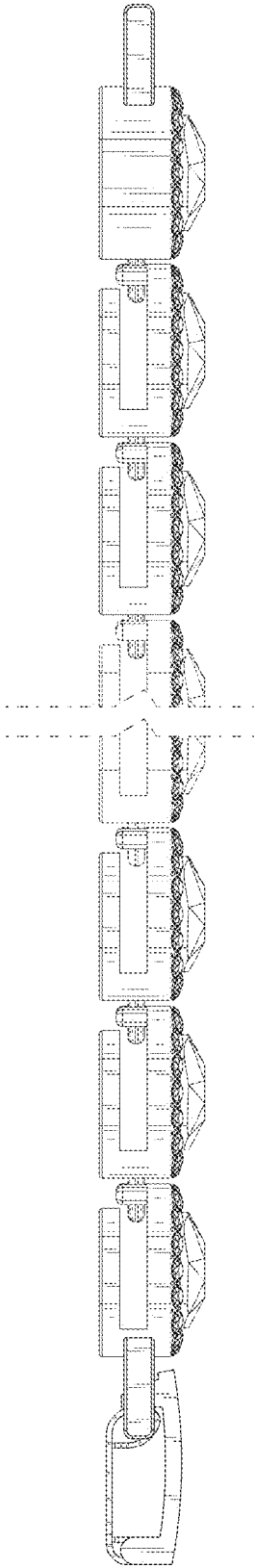


FIG. 5

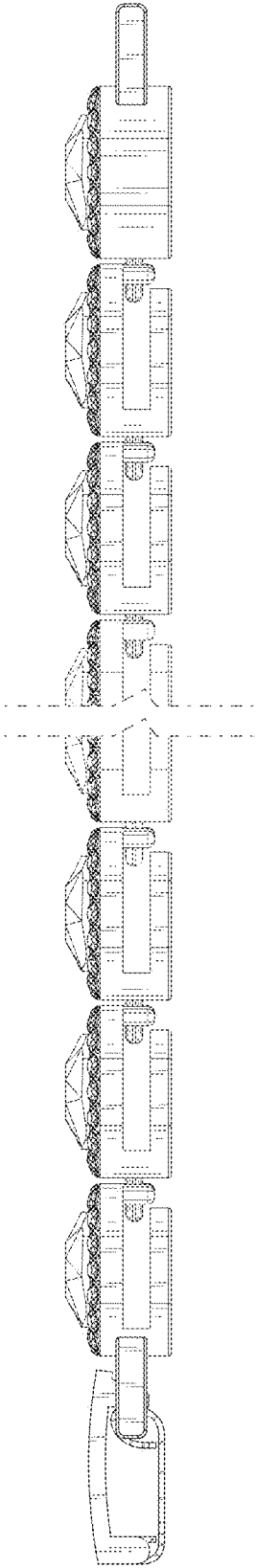


FIG. 6

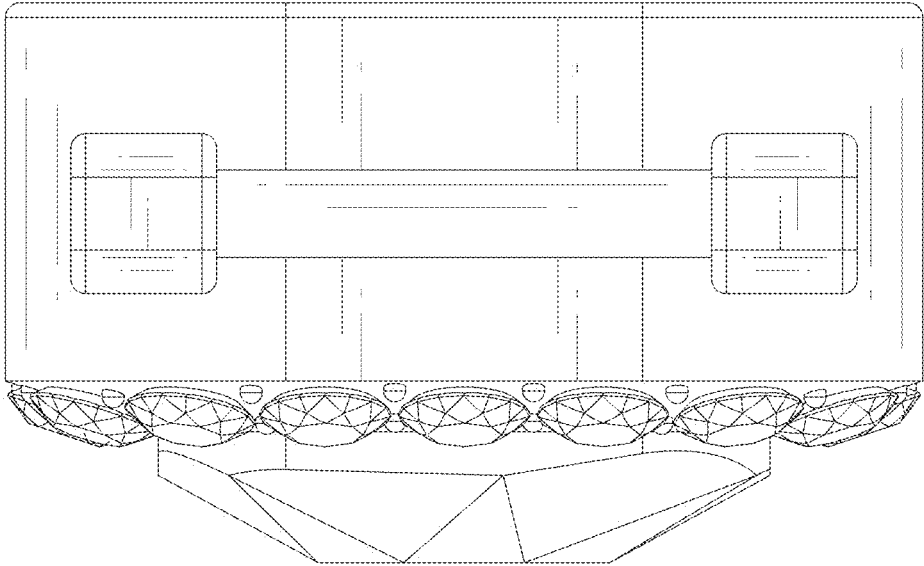


FIG. 7

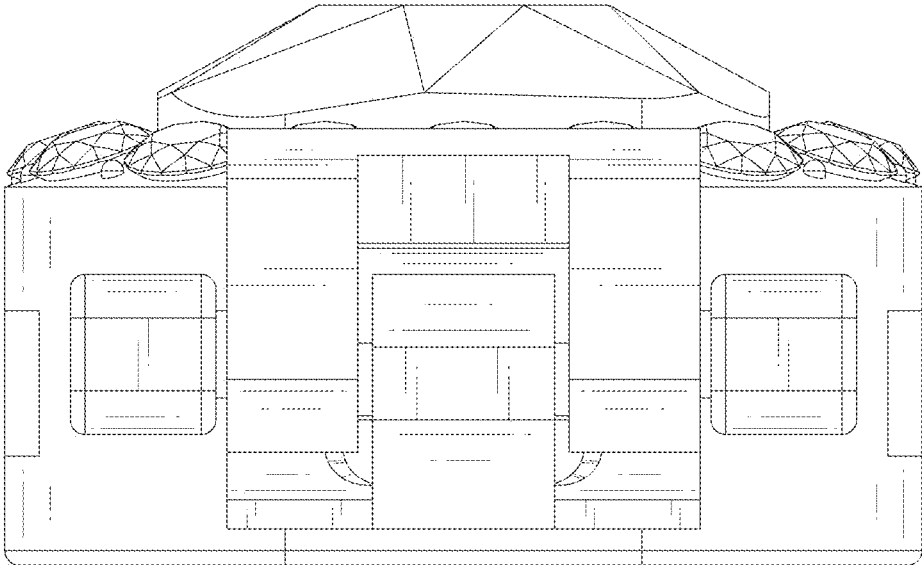


FIG. 8

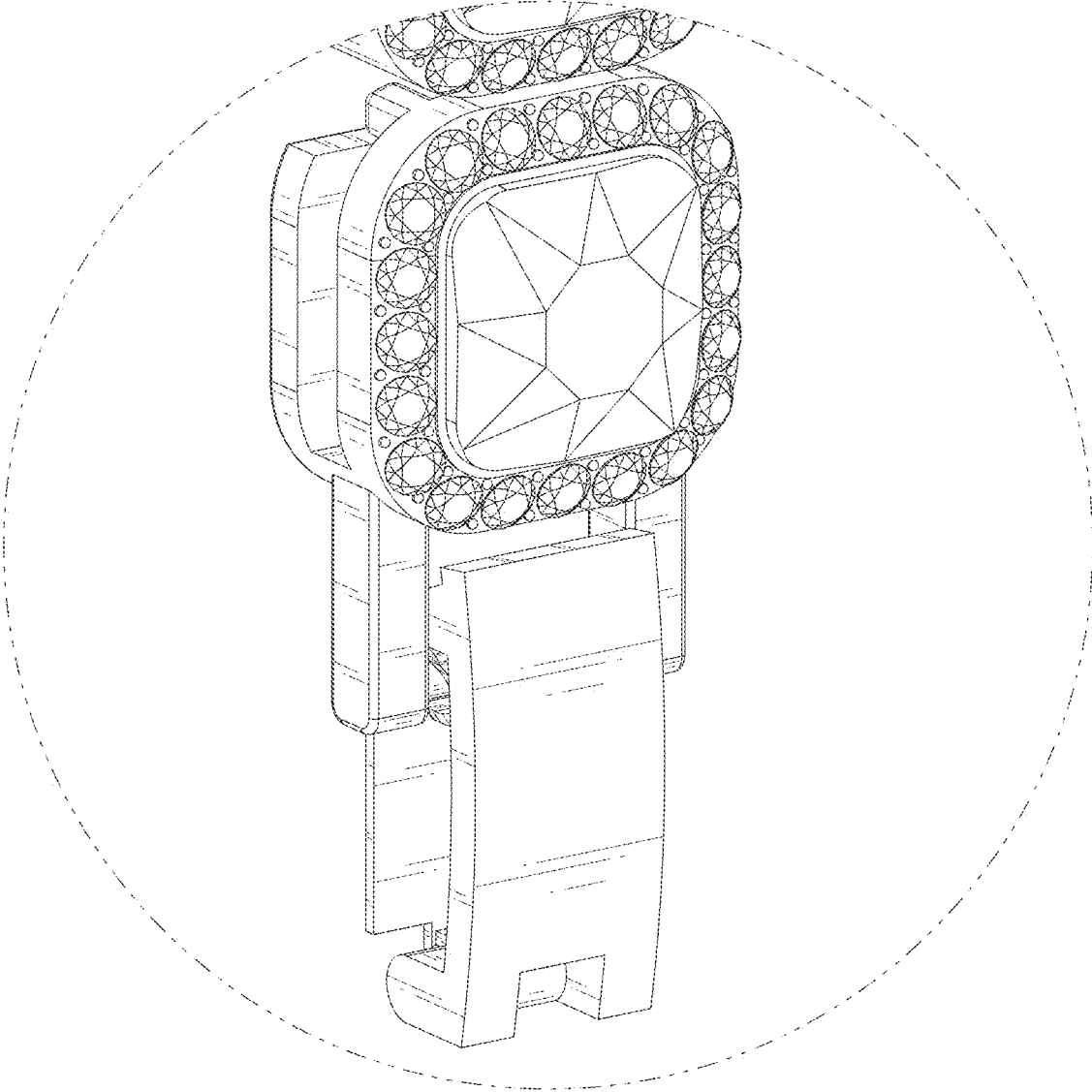


FIG. 9

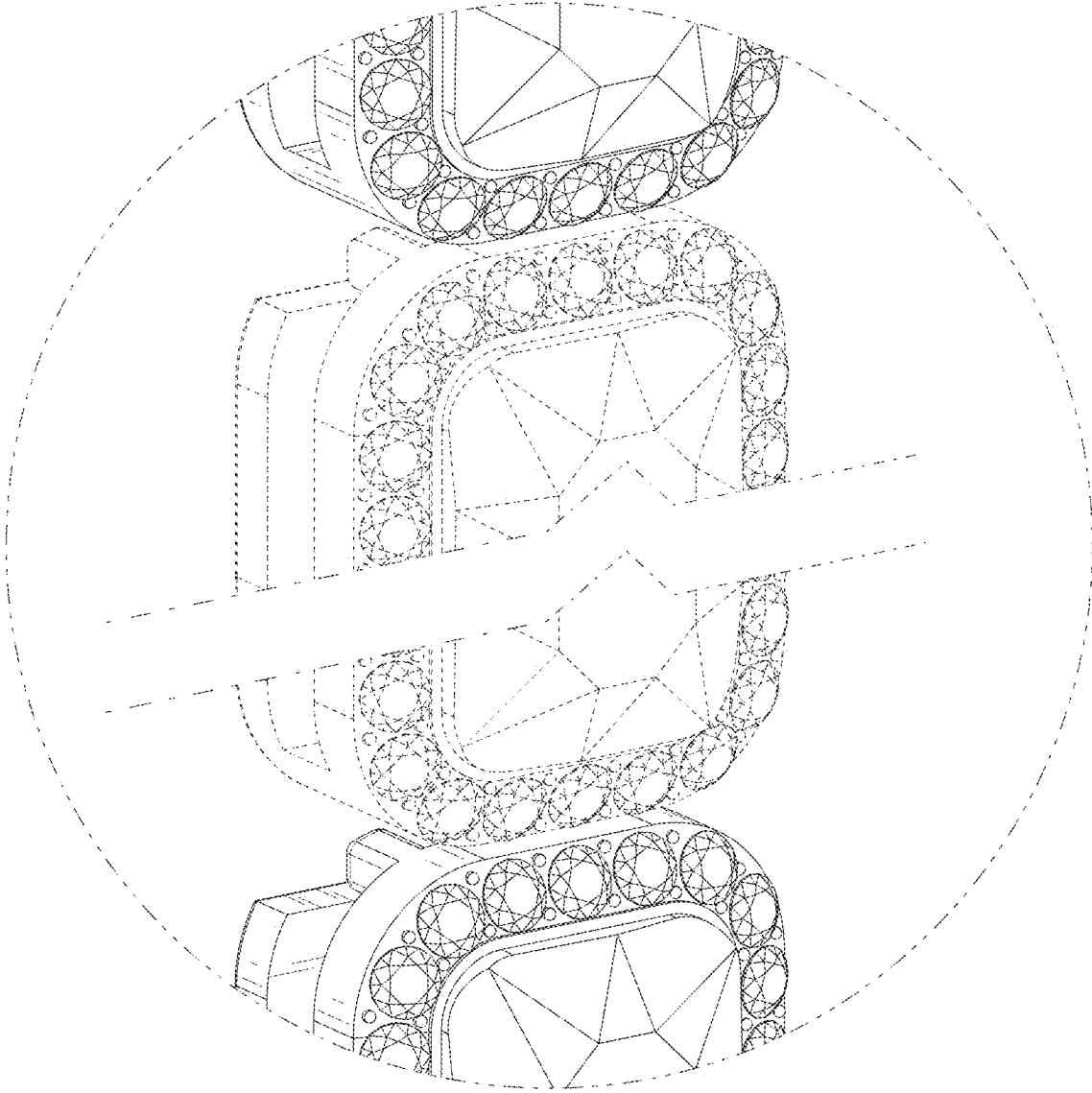


FIG. 10

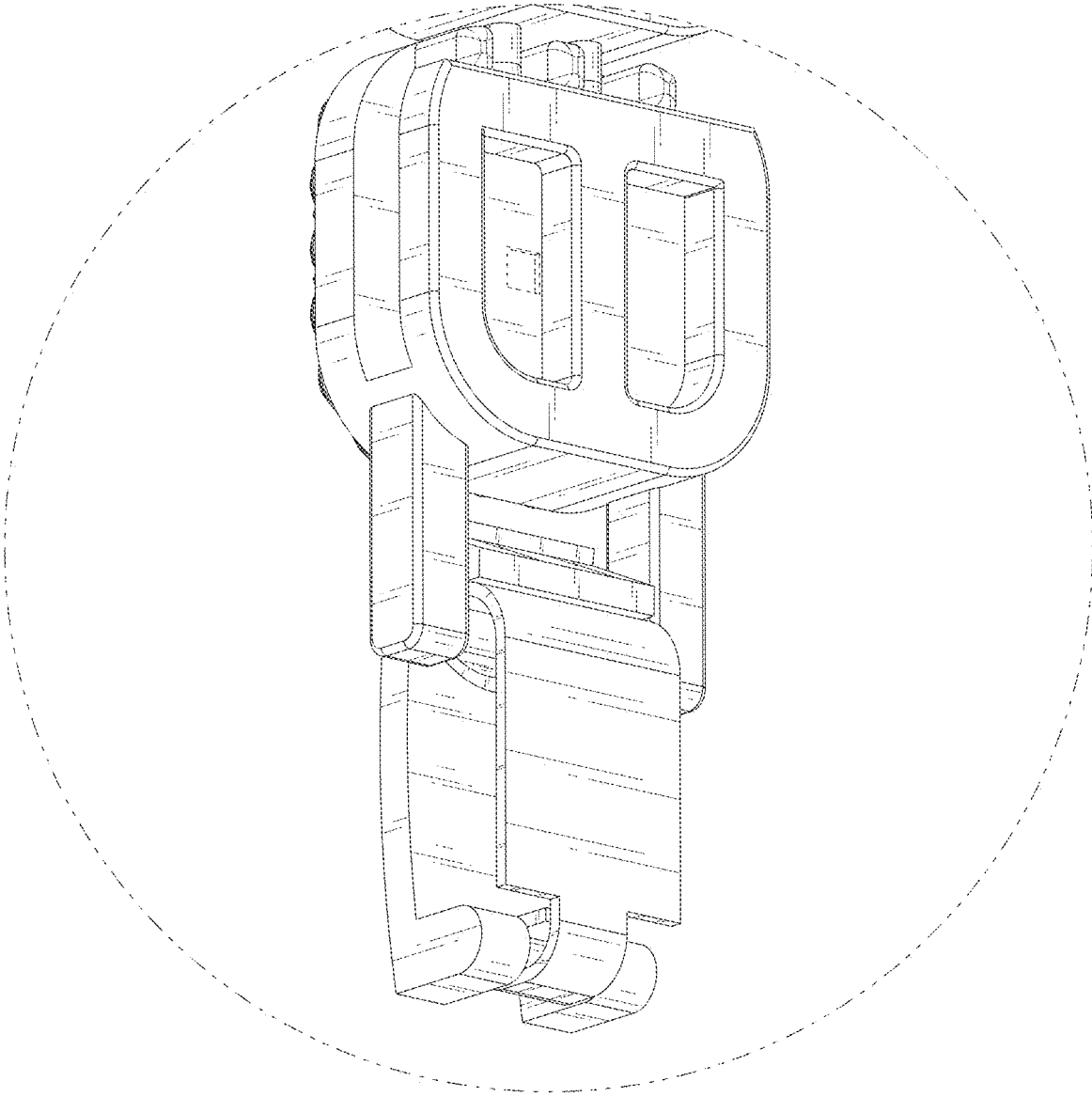


FIG. 11