



US00D760711S

(12) **United States Design Patent**
Berini

(10) **Patent No.:** **US D760,711 S**

(45) **Date of Patent:** **** Jul. 5, 2016**

- (54) **KIOSK**
- (71) Applicant: **NextgenID, Inc.**, San Antonio, TX (US)
- (72) Inventor: **Dario John Berini**, Ashburn, VA (US)
- (73) Assignee: **NexgenID, Inc.**, San Antonio, TX (US)
- (**) Term: **15 Years**
- (21) Appl. No.: **29/541,378**
- (22) Filed: **Oct. 2, 2015**

7,095,852 B2	8/2006	Wack et al.	380/44
7,212,632 B2	5/2007	Scheidt et al.	380/44
7,278,026 B2	10/2007	McGowan	713/186

(Continued)

FOREIGN PATENT DOCUMENTS

EP	1744264	1/2007
JP	2007132678	5/2007

(Continued)

OTHER PUBLICATIONS

“CBES Multimodal Biometric Enrollment Station.” 3M Cogent, Inc. [online], [retrieved on Dec. 11, 2012]. Retrieved from the Internet: <URL: http://www.cogentsystems.com/downloads/CBES_sm.pdf>.

(Continued)

Primary Examiner — Austin Murphy

(74) *Attorney, Agent, or Firm* — Nixon Peabody LLP

- Related U.S. Application Data**
- (60) Division of application No. 29/487,791, filed on Apr. 11, 2014, now Pat. No. Des. 742,870, which is a continuation of application No. 13/475,625, filed on May 18, 2012, now Pat. No. 9,256,719.
 - (51) **LOC (10) Cl.** **14-02**
 - (52) **U.S. Cl.**
USPC **D14/307**
 - (58) **Field of Classification Search**
USPC D14/302, 303, 304, 305, 306, 307, 900, D14/902; D13/163, 162; 187/395, 396; 361/679.02, 679.21; D20/10; D21/332, D21/325; D10/108
CPC G06Q 20/18; G06Q 20/10; G06Q 20/123; G06Q 20/20; G06Q 30/02; G06Q 30/06; A47F 9/047
See application file for complete search history.

(57) **CLAIM**

The ornamental design for kiosk, as shown and described.

DESCRIPTION

FIG. 1 is a perspective view of a kiosk showing our new design.

FIG. 2 is a front elevation view of the kiosk of FIG. 1.

FIG. 3 is a back elevation view of the kiosk of FIG. 1.

FIG. 4 is a first side elevation view of the kiosk of FIG. 1.

FIG. 5 is a second side elevation view of the kiosk of FIG. 1.

FIG. 6 is a top plan view of the kiosk of FIG. 1; and,

FIG. 7 is a bottom plan view of the kiosk of FIG. 1.

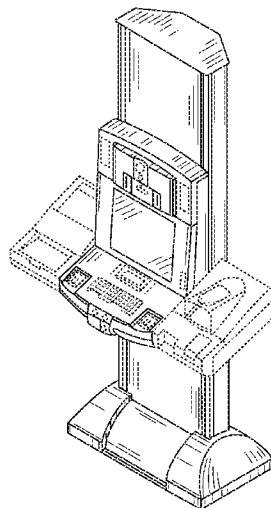
The portions of the drawings shown in broken lines represent environmental structure and form no part of the claimed design.

(56) **References Cited**

U.S. PATENT DOCUMENTS

4,614,378 A	9/1986	Picou	297/92
5,375,168 A	12/1994	Kudelski	380/14
6,012,049 A	1/2000	Kawan	705/41
6,694,433 B1	2/2004	Kolouch	713/176
7,079,653 B2	7/2006	Scheidt et al.	380/258

1 Claim, 4 Drawing Sheets



(56)

References Cited

U.S. PATENT DOCUMENTS

D573,986 S 7/2008 Sasaki D14/307
 D590,387 S 4/2009 Chen D14/307
 D591,078 S 4/2009 Singler D6/432
 D605,189 S 12/2009 Kuroda D14/307
 D605,191 S 12/2009 Kuroda D14/307
 D617,575 S 6/2010 Dreyer D6/396
 7,738,660 B2 6/2010 Scheidt et al. 380/258
 7,817,800 B2 10/2010 Wack et al. 380/44
 D628,742 S 12/2010 Hsu D28/9
 7,974,410 B2 7/2011 Scheidt et al. 380/47
 8,077,870 B2 12/2011 Wack et al. 380/44
 8,233,785 B1 7/2012 Surma 396/1
 D671,595 S 11/2012 O'Hara D19/52
 D695,285 S 12/2013 Smith D14/307
 D695,733 S 12/2013 Damhuis D14/307
 D702,675 S 4/2014 Jones D14/307
 D707,012 S * 6/2014 Swaine D99/28
 D707,674 S 6/2014 Daniel D14/307
 D708,676 S 7/2014 Ballman D21/369
 D717,784 S 11/2014 Collins D14/307
 D721,695 S 1/2015 Birgeoglu D14/307
 D721,696 S 1/2015 Birgeoglu D14/307
 D723,025 S 2/2015 Birgeoglu D14/307
 D723,538 S 3/2015 Catoe et al. D14/307
 D726,706 S 4/2015 Kraft et al. D14/307
 D732,520 S * 6/2015 Themann D14/307
 D742,870 S * 11/2015 Berini D14/307
 D743,956 S * 11/2015 Kraft D14/307
 2001/0037301 A1 11/2001 Shepley 705/43
 2001/0054148 A1 12/2001 Hoornaert 713/172
 2002/0019941 A1 2/2002 Chan 713/185
 2002/0026413 A1 2/2002 Wu 705/39
 2002/0046086 A1 4/2002 Pletz 705/14
 2002/0105665 A1 8/2002 Wasilewski 358/113
 2002/0154344 A1 10/2002 Beeman 358/475
 2003/0001010 A1 1/2003 Schmidt 235/385
 2004/0182921 A1 9/2004 Dickson 235/380
 2005/0174613 A1 8/2005 Tan 358/486
 2005/0229007 A1 10/2005 Bolle et al. 713/186
 2006/0073883 A1 4/2006 Franks 463/25
 2006/0213970 A1 9/2006 Trajkovic 235/380
 2007/0143341 A1 * 6/2007 Brownell G06Q 20/18
 2008/0296374 A1 12/2008 Gonen 235/385
 2009/0034803 A1 2/2009 Matos 382/116
 2009/0130905 A1 5/2009 Wang 439/625
 2009/0192938 A1 7/2009 Amos 705/43
 2009/0235086 A1 9/2009 Lai 713/186
 2009/0289104 A1 * 11/2009 Yoneda G06F 1/16
 235/375

2010/0290668 A1 11/2010 Friedman et al. 382/103
 2010/0329301 A1 12/2010 Pang 374/121
 2011/0025074 A1 2/2011 Reznar 292/33
 2011/0178930 A1 7/2011 Scheidt et al. 5/50
 2011/0192681 A1 * 8/2011 Johnson A47F 10/02
 186/52
 2012/0087643 A1 4/2012 Paramadilok 396/2
 2012/0293642 A1 11/2012 Berini 348/77
 2013/0215275 A1 * 8/2013 Berini G06F 21/32
 348/150
 2013/0226632 A1 * 8/2013 Gilbert G06Q 10/02
 705/5

FOREIGN PATENT DOCUMENTS

JP 2009175745 8/2009
 WO WO 99/30267 6/1999

OTHER PUBLICATIONS

"Law Enforcement Product Overview." 3M Cogent, Inc. [online][retrieved on Dec. 11, 2012]. Retrieved from the Internet: <URL: http://www.cogentsystems.com/downloads/LE_Overview.pdf>.
 "VB E-Pass® Kiosk" Vision-Box [online], [retrieved on Dec. 11, 2012]. Retrieved from the Internet: <URL: <http://www.vision-box.com/solutions/vbepass/>>.
 "VB E-Pass® Desktop" Vision-Box [online] [retrieved on Dec. 11, 2012]. Retrieved from the Internet: <URL: <http://www.vision-box.com/solutions/vbepassdesktop/>>.
 "VB E-Pass® Portable" Vision-Box [online], [retrieved on Dec. 11, 2012]. Retrieved from the Internet: <URL: <http://www.vision-box.com/solutions/mobile-vbepass/>>.
 "VB E-Pass® Dispenser" Vision-Box [online], [retrieved on Dec. 11, 2012]. Retrieved from the Internet: <URL: <http://www.vision-box.com/solutions/vb-i-dispenser/>>.
 "VB I-Match" Vision-Box [online], [retrieved on Dec. 11, 2012]. Retrieved from the Internet: <URL: <http://www.vision-box.com/solutions/vb-i-match/>>.
 "VB SentrySpider" Vision-Box [online], [retrieved on Dec. 11, 2012]. Retrieved from the Internet <URL: <http://www.vision-box.com/solutions/vb-sentryspider/>>.
 International Search Report mailed Nov. 23, 2012 which issued in International Patent Application No. PCT/US2012/038675 (5 pages).
 Written Opinion mailed Nov. 23, 2012 which issued in International Patent Application No. PCT/US2012/038675 (5 pages).
 Michaels, Ross J., Kevin C. Mangold, Matthew L. Aronoff, Kayee Kwong, and Karen Marshall, Specification for WS-Biometric Devices (WS-BD). Mar. 14, 2012. 1-123.

* cited by examiner

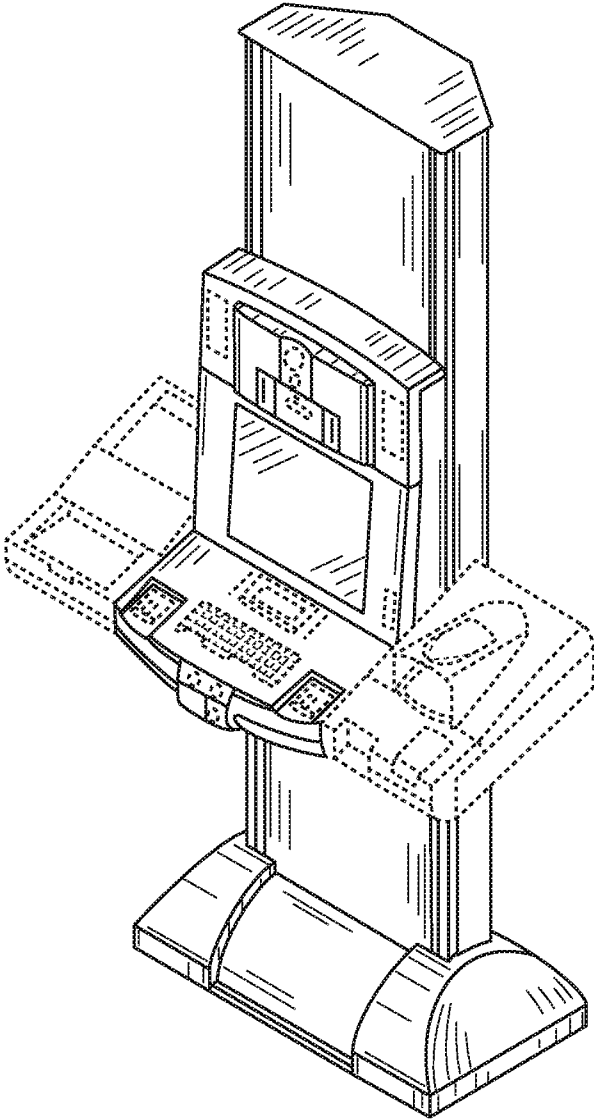


FIG. 1

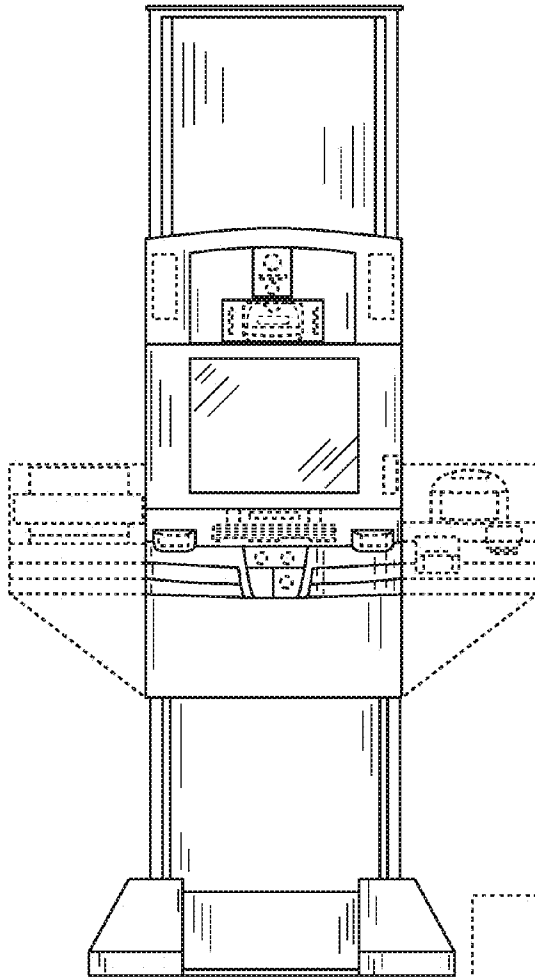


FIG. 2

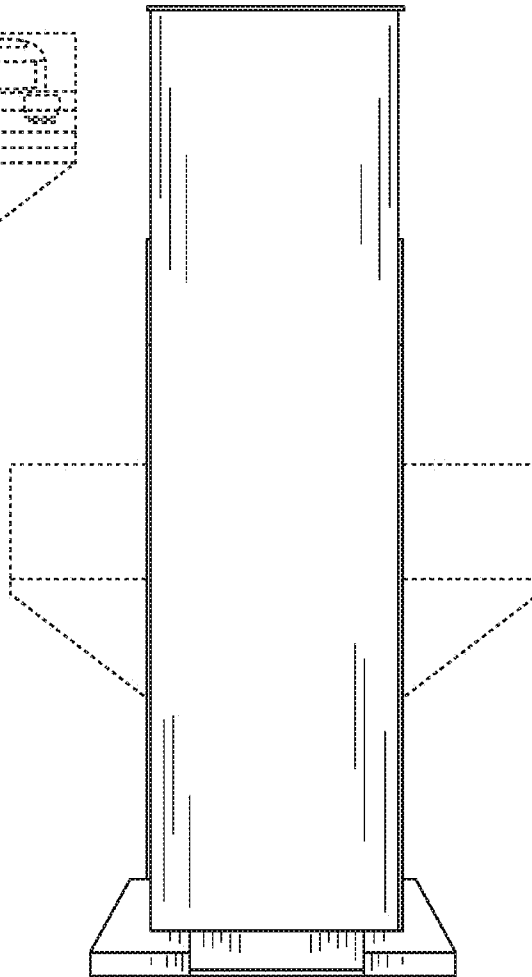


FIG. 3

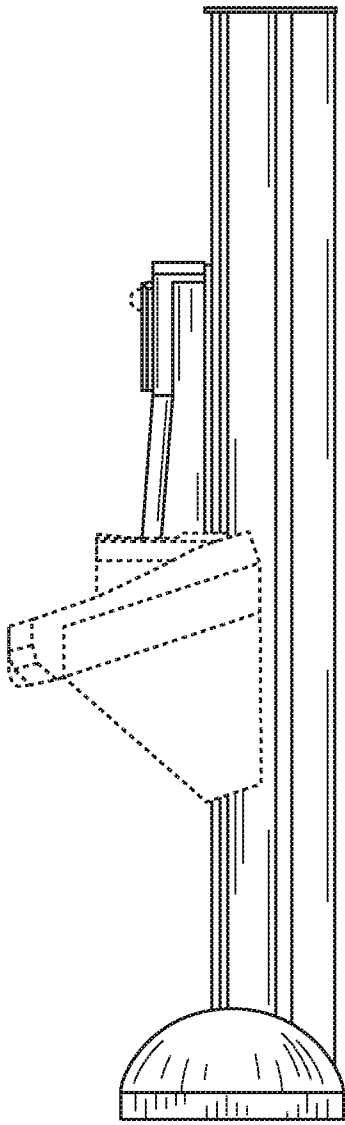


FIG. 4

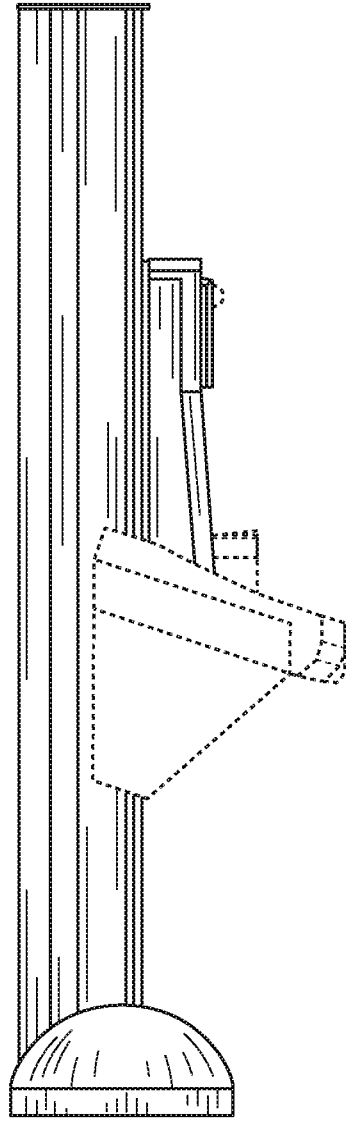


FIG. 5

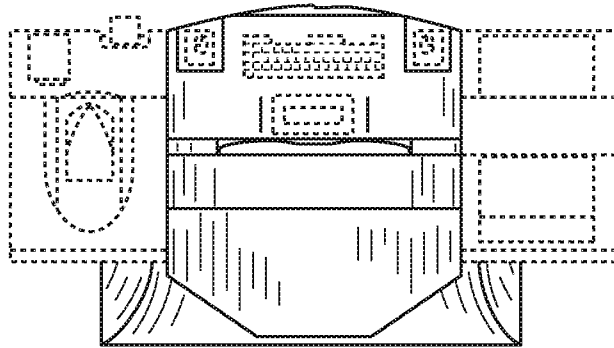


FIG. 6

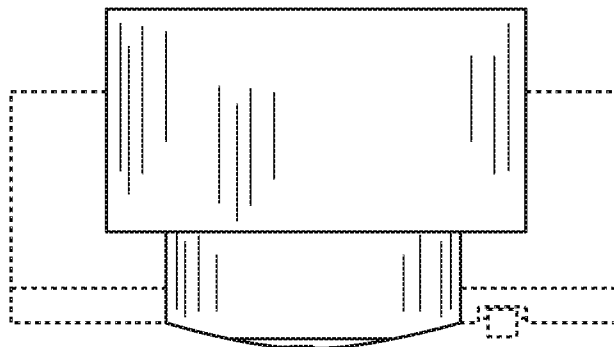


FIG. 7