



- (51) International Patent Classification:
A41D 13/015 (2006.01) A63B 71/08 (2006.01)
A41D 13/05 (2006.01)
- (21) International Application Number:
PCT/US2014/027973
- (22) International Filing Date:
14 March 2014 (14.03.2014)
- (25) Filing Language: English
- (26) Publication Language: English
- (30) Priority Data:
13/835,079 15 March 2013 (15.03.2013) US
- (71) Applicant: RUSSELL BRANDS, LLC [US/US]; 1 Fruit of the Loom Drive, Bowling Green, KY 42103 (US).
- (72) Inventors: MARQUEZ, Dana; 2159 Canary Drive, Auburn, AL 36830 (US). WILLIAMS, Greg; 2159 Canary Drive, Auburn, AL 36830 (US). KESTERSON, Steven, Wayne; 1 Fruit of the Loom Drive, Bowling Green, KY 42103 (US). LUNSFORD, Kevin; 1 Fruit of the Loom Drive, Bowling Green, KY 42103 (US).

- (74) Agents: NEU, J. et al.; Brandley Arant Boulton Cummings, LLP, One Federal Place, 1819 Fifth Avenue North, Birmingham, AL 35203 (US).
- (81) Designated States (unless otherwise indicated, for every kind of national protection available): AE, AG, AL, AM, AO, AT, AU, AZ, BA, BB, BG, BH, BN, BR, BW, BY, BZ, CA, CH, CL, CN, CO, CR, CU, CZ, DE, DK, DM, DO, DZ, EC, EE, EG, ES, FI, GB, GD, GE, GH, GM, GT, HN, HR, HU, ID, IL, IN, IR, IS, JP, KE, KG, KN, KP, KR, KZ, LA, LC, LK, LR, LS, LT, LU, LY, MA, MD, ME, MG, MK, MN, MW, MX, MY, MZ, NA, NG, NI, NO, NZ, OM, PA, PE, PG, PH, PL, PT, QA, RO, RS, RU, RW, SA, SC, SD, SE, SG, SK, SL, SM, ST, SV, SY, TH, TJ, TM, TN, TR, TT, TZ, UA, UG, US, UZ, VC, VN, ZA, ZM, ZW.
- (84) Designated States (unless otherwise indicated, for every kind of regional protection available): ARIPO (BW, GH, GM, KE, LR, LS, MW, MZ, NA, RW, SD, SL, SZ, TZ, UG, ZM, ZW), Eurasian (AM, AZ, BY, KG, KZ, RU, TJ, TM), European (AL, AT, BE, BG, CH, CY, CZ, DE, DK, EE, ES, FI, FR, GB, GR, HR, HU, IE, IS, IT, LT, LU, LV, MC, MK, MT, NL, NO, PL, PT, RO, RS, SE, SI, SK, SM,

[Continued on next page]

(54) Title: FOAM BEADS FOR PADDING AND BODY PROTECTION

(57) Abstract: A protective foam material and pads are disclosed herein. The material is a rounded foam pellet having a hole through the center of the pellet. The pellets may be arranged and interconnected to form a pad. These pads may be applied to persons, animals, or other objects for protective functions.

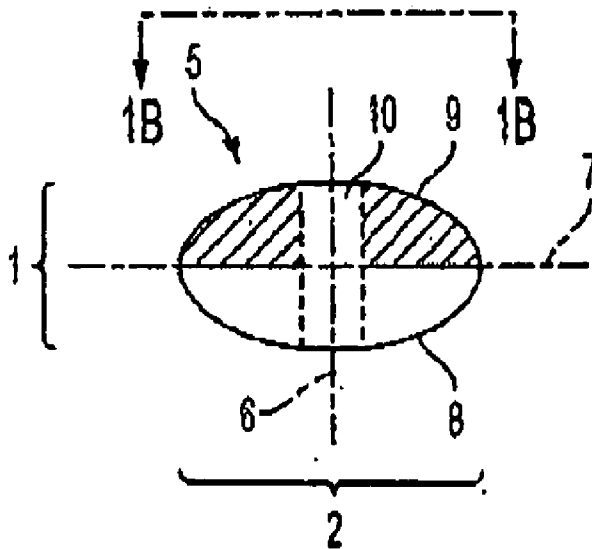
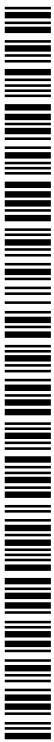


FIG. 1A



TR), OAPI (BF, BJ, CF, CG, CI, CM, GA, GN, GQ, GW, KM, ML, MR, NE, SN, TD, TG). **Published:**

Declarations under Rule 4.17:

— *as to the applicant's entitlement to claim the priority of the earlier application (Rule 4.17(iii))*

— *with international search report (Art. 21(3))*

— *before the expiration of the time limit for amending the claims and to be republished in the event of receipt of amendments (Rule 48.2(h))*

FOAM BEADS FOR PADDING AND BODY PROTECTION

CROSS REFERENCE TO RELATED APPLICATIONS

- [0001] This application claims right of priority to and the benefit of filing of U.S. App. No. 13/835,079.

TECHNICAL FIELD

- [0002] The invention relates generally to protective equipment for absorbing, dispersing, or deflecting impact shock. The invention has particular application to athletic padding or protective equipment.

BACKGROUND ART

- [0003] Foam pads have long been used for various types of personal protection equipment in athletics, such as shoulder pads, knee and thigh pads, elbow pads, athletic supporters, and helmets. Foam pads are commonly constructed of large, uniformly thick foam sheets to cover a particular region. Such pads are bulky and limit an athlete's mobility. These pads also do little to disperse the energy absorbed from an impact. While the foam pad absorbed some energy and force, what is not absorbed passes through the foam in the same direction as the direction of impact. Stated differently, when the foam is impacted, unabsorbed force passes straight through the pad to the underlying region.
- [0004] More recently, it has become popular to score or pellet certain panels of foam padding into small units, such as hexagons or squares, to allow the pad to more easily curve or flex about a rounded surface, and thereby to closely conform to the body. While this in theory may in some cases accommodate an athlete's mobility, it does not address the manner in which the padding absorbs, disperses, or deflects forces, which typically are passed in a substantially straight line vector through the pad to the underlying area intended for protection. In fact, traditional padding, whether segmented or not, relies

substantially only on the padding's ability to absorb impact forces, while not much attention has been given to dispersing or deflecting forces.

[0005] The traditional design of football shoulder pads evidences a reluctance to rely upon the protective absorbing, being traditionally designed to sit raised above the wearer's shoulders. In such configuration, the shoulder pad is designed to deflect downward to absorb force, while a hard yoke component flexes to absorb additional energy. However, such pads suffer from a higher-than-desired profile and can impair a wearer from being able to comfortably turn his neck or easily raise his arms. While shoulder pads having increased flexibility would be welcomed, reducing the size of a conventional pad may increase the potential force impacting the wearer, while the use of pads that closely conform to the body would compete against the design characteristics of such shoulder pads, which must be raised above the shoulder to provide the amount of protection for which they are engineered, by allowing the flexing yoke to work as designed.

[0006] What is needed, then, is a pad better able to absorb, deflect, or disperse impact energy and forces, optimally while allowing for increased wearer flexibility and mobility.

SUMMARY OF THE INVENTION

[0007] In some aspects, the invention relates to a foam padding having a first foam pellet having an aperture substantially near a minor axis thereof.

[0008] In other aspects, the invention relates to a foam padding having a plurality of foam pellets, at least one of said foam pellets having an aperture substantially near a minor axis thereof.

[0009] In other aspects, the invention relates to a protective foam pad having a first textile layer adapted to enclose a protected area; and a plurality of foam pellets arranged in an array and disposed along the first textile layer, where at least one pellet has an aperture through the pellet substantially near the minor axis.

[0010] In other aspects, the invention relates to pads for use in athletic competitions having a first textile layer adapted to receive an upper body of a wearer; a second textile

layer sewn to the first textile layer to form a plurality of enclosed pockets; and a plurality of foam arrays arranged in the plurality of enclosed pockets, each foam array having a plurality of foam pellets having an aperture substantially near a minor axis thereof, and a substrate connecting the plurality of foam pellets.

[0011] Shoulder pads for use in athletic competitions having a padding rig having an inner textile layer; an outer textile layer; and a plurality of foam pellets sandwiched between the inner textile layer and outer textile layer, said pellets having an aperture substantially near a minor axis thereof, where the foam pellets are arranged about the padding rig.

[0012] Other aspects and advantages of the invention will be apparent from the following description and the appended claims.

BRIEF DESCRIPTION OF DRAWINGS

[0013] It should be noted that identical features in different drawings are shown with the same reference numeral.

[0014] To be completed when drawings completed.

DETAILED DESCRIPTION

[0015] First disclosed herein is a padding configuration that may be used in shoulder pads and other wearable equipment. While traditional padding configurations employ panels or sheets of foam or other padding material exhibiting substantial uniformity across their surface area, the inventors direct attention to constituent areas or sizes of the padding material.

[0016] Turning to the drawings, an exemplary embodiment of a foam pellet **5** is shown in FIGS. 1A-1C. Pellet is used to describe any mass that may be variously described as a ball, nugget, segment, peanut, globe, lump, spheroid, ovoid, ellipsoid, lentoid, polyhedron, of any flexibility, consistency, or hardness and having at least some of the characteristics further described in this disclosure. FIG. 1A depicts a cross-section of a

foam pellet **5**, while FIG. 1B depicts a top plan view of the same pellet **5**. For sake of discussion, pellet **5** is shown with a height **1** and a width **2**, though it will be understood that “height” and “width” do not necessarily bear any relation to vertical or horizontal orientation, and instead “height” refers to the measure taken along the minor axis **6**, and “width” refers to the measure taken along the major axis **7**. In the shown embodiment, pellet **5** is generally lobular, presenting a generally circular cross-section when viewed along the minor axis **6**, and a generally elliptical or oval cross-section when viewed along its major axis **7**. This shape is also known variously as a lentoid or oblate spheroid. In some embodiments, the pellet **5** has a width of approximately 1.25 inches and a height of approximately 1 inch. In other embodiments, the pellet **5** may have different dimensions corresponding to the dimension of the area being padded, or the magnitude of protection to be provided by the padding.

[0017] Other shapes in which the height at the perimeter of pellet **5** is less near the perimeter than at more central points may also be provided. For example, with reference to FIG. 1A, the portion of pellet **5** appearing above the major axis **7** may be conical or frustro-conical, or may be a three-dimensional polygon with inwardly and upwardly slanted sides. Alternatively, the pellet **5** may have the appearance of a torus. Also alternatively and as depicted in FIG. 1C, pellet **5** may be in the form of polygonal pellet **30**, having creases **31** such that when viewed along the minor axis **6** the polygonal pellet **30** has the appearance of a hexagon. It is contemplated that still other shapes may be used, including those that present inner chambers or voids **11**, such the pellets **5** shown in FIGS. 1D and 1E.

[0018] The foam used for the pellets may be open-cell or closed-cell foam. The inventors have identified polyurethane and ethylene-vinyl acetate (EVA) foam as having particular advantages, but any other foam compositions may be used, for example, [INSERT OTHER FOAMS].

[0019] In certain embodiments, the pellet **5** has a hole or aperture **10** passing through pellet **5** along the direction of the minor axis. As depicted in FIG. 1A and FIG. 1B, the aperture **10** may be coincident with or pass directly along the polar axis **6**, such that when

viewing the pellet **5** along the polar axis **6** the aperture **10** is concentric with the circumference of the pellet **5**. In other embodiments, the aperture **10** may be eccentric, such that it is not centrally located on the pellet **5**. In embodiments wherein the pellet **5** has a 1.25 inch diameter, the aperture **10** may have a 0.25 inch diameter, such that the pellet-aperture ratio is 5:1. The inventors have found that this pellet-aperture ratio at this pellet size allows the pellet **5** to absorb and deflect additional energy while not adversely affecting the strength or integrity of the pellet **5**. Other aperture diameters and pellet-aperture ratios may be used without departing from the scope of this invention.

[0020] Used together, or to a lesser degree separately, the disclosed shape of the foam pellet **5** and the configuration with an aperture **10** through the pellet **5** provides increased protection for the padded object or body part. In foam pads having flat sides that are substantially perpendicular to the surface of the padded object, impacting forces transfer most of the impact energy through the pad and into the padded object. It is believed that prior art foam panels in such a configuration primarily respond to impacts by compression. Without limiting the scope of the invention, the pellet **5** as disclosed herein is believed to have a greater capability for responding to such forces by not only compressing, but also by deforming to the side (e.g, its apex shifting sideways), or by deforming inwardly to intrude into the space presented by aperture **10**. The pellet **5** as taught also presents additional angles for receiving the initial impact force. The aperture **10** also has the additional benefit of providing increased ventilation for the protected area. This helps keep the wearer cool while exerting himself or herself during typical of athletic play.

[0021] Returning to FIG. 1A, in some embodiments the foam pellet **5** is constructed of foam having variable density across the cross-section of the pellet **5**. For example, in the embodiment depicted in FIG. 1A, one half **8** of the pellet **5** is formed of foam having one density, and the other half **9** of the pellet **5** is formed of foam having a second, lower density. The different density foam halves are placed adjacent one another, and may be bonded together, to form the pellet **5**. When used to protect a wearer, the low-density half **9** may be worn close to the body to provide additional cushioning, while the high-density half **8** has greater impact absorption. Other embodiments of the pellet **5** may have more

than two regions of density (for example, two low density regions sandwiching a higher-density core, or a series of progressively increasing or decreasing density regions), a gradient of densities, or a uniform density without departing from the scope of this disclosure. Such a plurality of regions having different densities, within a single pellet **5**, may be achieved by separately forming portions of the foam and coordinating their placement (whether permanently joined together or simply placed near one another to complete the pellet). Alternately, the plurality of regions having different densities may be constructed into a single integrally constructed pellet **5**, such as by causing a portion of the foam material in the mold to be cured under different conditions, or with different composition, than other portions. For example, in a mold for which foam material is injected from the top, the bottom portion may be injected as a first mixture of foam chemical, with a second mixture – or the same mixture with a different physical treatment (e.g., entrained air) - deposited on top.

[0022] To protect a wearer, an array of pellets **5** may be coordinated to cover a large surface area of the body. In some embodiments, the pellets **5** are independent of each other, such that each pellet **5** reacts to impact forces independently of the other pellets **5** and can shift, expand, compress, and absorb impact forces independently of the other pellets **5**. In such embodiments, a covering, wrap, fabric, or other enclosure may be used to keep the pellets **5** organized in the array about the surface.

[0023] In other embodiments, and as depicted in FIG. 2, pellets **5** in an array are connected by substrates **15** to cover a region. In FIG. 2, the pellets **5** are connected linearly by multiple substrates **15**. Because the pellets **5** are connected together, the ability of each pellet **5** to shift about independently is reduced. However, presenting multiple pellets **5** connected as a unit permits the padding to be applied over larger surface areas while presenting the pellets **5** in a uniform or other pre-determined arrangement or orientation. Production may also be eased by such arrangements, in view of the potential uniformity and ease of handling sheets of materials as opposed to individual pellets **5**.

[0024] The substrates **15** may be produced independently of pellets **5** and subsequently connected to form the array. In some configurations, the substrates **15** are different materials from the pellets **5**, such as lines or a web of fabric, plastic, wire, or netting. Such materials may be adhered to the pellets such as by gluing to or piercing through the pellets **5**. Alternately and perhaps advantageously, the substrates **15** may be formed into the pellets **5** as part of the manufacturing of such pellets **5**. For example, if the pellets **5** are produced by molding in which a mold for the top half of multiple pellets **5** is brought together with a mold for the bottom half of such pellets **5**, a net, web, or fabric (or other structure for substrates **15**) could be introduced between the two mold halves during formation of the pellets **5**. Upon curing, and release from the mold, the pellets **5** would be disposed in the pre-arranged configuration about the structure of the substrates **15**, with that structure passing through the pellets **5** and effectively embedded therein. It is also possible to form the substrates **15** in the molding process out of the same molding material that is used to make pellets **5**. By so doing, the pellets **5** and substrates **15** may be made integral to or unitary with one another. The array thus may be in the form of a sheet or foam panel, configured as pellets **5** dispersed about the sheet or panel in a desired arrangement, interconnected by thinner areas of foam.

[0025] FIG. 3 depicts an embodiment wherein an array **20** of pellets **5** are laid out over an area and connected by a web **17** of substrates **15**, which connect pellets **5** in two dimensions. In this manner, a large surface may be covered and a large pad of pellets **5** efficiently produced. In order to allow the pellets **5** to be as independent as possible, holes **16** are provided in the web **17** to allow for additional flexibility. The substrates **15** could be formed as independent links between each adjacent pellet **5** if desired, but it has been found that using a configuration in which the holes **16** are round aids in resistance to tearing by avoiding point stresses that may arise at more angular junctions of foam.

[0026] FIG. 4 depicts a side cross-section view of the array **20** depicted in FIG. 3. In this embodiment, high-density halves **8** are formed in a sheet **21** with the substrates **15**. Similarly, the low-density halves **9** are formed in a sheet **22** with the substrates. The sheets **21** and **22** are then arranged with the high-density halves **8** and the low-density halves **9** aligned, forming the pellets **5**. In most cases the halves **8** and **9** will be glued or

otherwise bonded together, but in some cases they may be arranged and held in relative position by other structures, such as a fabric covering. Holes **16** may be formed as part of the molding process, or may be cut following molding. Likewise, apertures **10** may be formed as part of the molding process for the pellets **5** (whether such molding occurs as part of an array, or separately), or may be bored through each pellet **5** as a subsequent step in the manufacturing process. If both the aperture **10** and the holes **16** are to be bored subsequent to molding, these holes may be punched by a single jig with coring punches for forming each.

[0027] In any given array **20**, the pellets **5** may be of uniform or varying size. For example, in an application where the impact forces are generally uniform over a large area, or the protected surface area does not substantially move, shift, translate, rotate, or hinge (for example, a wearer's chest or torso), the pellets **5** may be of a substantially uniform size. In other applications, where the impact forces vary across the protect surface area, or the surface is one likely to deform (for example, around a wearer's elbow, knee, or shoulder), pellets **5** of varying sizes may be used to increase flexibility and provide localized protection.

[0028] The pellets **5** described above may be used in a multitude of forms to provide padding to a wearer, particularly in athletic contests and in workplaces where safety from impacts is a concern. For example, the foam pellets **5** and arrays **20** may be used in football shoulder pads, knee pads, thigh pads, elbow pads, helmets, braces, chest protectors, football kick plates, impact plates, and other athletic or protective equipment. The pellets **5** and arrays **20** may also be advantageously incorporated into other equipment, such as horse blankets, saddles, cycling seats, firefighter equipment (e.g., helmets, firemen's coats and pants, etc.), bomb disposal safety suits, construction workers' clothing, hard hats, and other protective clothing, padding, or gear. In these various uses, the pellets **5** and arrays **20** may be designed to particular sizes and arranged into padding of particular shapes to protect a given surface area commensurate with the standard padding used. For example, in a horse blanket, the padding may be shaped as a traditional blanket to protect the wearer and the horse while riding, with due variances in

the size of the pellets to absorb or deflect impacts between horse and rider during standard equestrian or horse racing actions.

[0029] For further example, in some embodiments, the pellets **5** or arrays **20** of pellets **5** may be used integrated into or as a component for use with football shoulder pads to provide the user protection from impacts while also allowing the user to move the arms, shoulders, and neck relatively unhindered. Pellets **5** may be incorporated into, or substituted for, the padding of traditionally configured football shoulder pads for improved performance.

[0030] Additionally, FIG. 5 through FIG. 9 show an improved configuration for football shoulder pads that may incorporate the pellets **5** disclosed above in appropriate locations. In general, the described configuration of football shoulder pads includes a padding rig **50**, which may if desired be in the form of a shirt or vest as shown in FIG. 5, and an outer impact plate **4** such as depicted in FIG. 9. In the shown application, the padding rig **50** is placed on the wearer, then impact plate **4** is placed over the padding rig **50** to provide a set of football shoulder pads having inner padding and outer arches. An exemplary construction of these components is hereafter described.

[0031] FIG. 5 depicts a front elevation view of one embodiment of padding rig **50** as worn by a wearer. The padding rig **50** is shown with several pads separated by grooves and configured to protect the wearer while also allowing the wearer to flex or move freely, which may also facilitate donning of the padding rig **50**.

[0032] In the embodiment of FIG. 5, the padding rig **50** has two chest pads **55** to provide padding over the wearer's front rib cage. The chest pads **55** are separated by a central groove **60** aligned over the wearer's sternum. The chest pads **55** cover the front rib cage, extend down to be roughly level with the user's diaphragm, and wrap towards the side of the wearer's chest along the diaphragm. Serratus pads **65** are positioned along the side of the padding rig **50** between the chest pads **55** and the wearer's underarm. The serratus pads **65** are roughly aligned with and serve to protect the side of the rib cage and the user's serratus anterior muscles. The serratus pad **65** and chest pad **55** are separated by an anterior groove **70**. The embodiment of FIG. 5 also has clavicle pads **75** located over the

top of the shoulder between the neck and the round of the shoulder. Clavicle pads **75** are roughly aligned over and serve to protect the clavicle, or collarbone. A lateral groove **80** separates each clavicle pad **75** from the respective chest pad **55**. Further the embodiment of FIG. 5 has deltoid pads **85** to protect the deltoid muscles and the round of the shoulder. Each deltoid pad **85** is separated from the clavicle pad **75** by a shoulder groove **90**.

[0033] Pads within the padding rig **50** as described above may use either multiple foam pellets **5** independently set throughout the pad, or an array **20** of pellets **5** provided within the pad. The pellets **5** (or array **20**) may be configured to have different foam densities in various pads. For example, small pellets **5** or uniform foam pads may be used in the serratus pads **65** to allow for maximum flexibility and motion of the wearer's arms. However, larger pellets **5** may be used in the chest pads **55**, which are more likely to be impact locations in football, for example. Other variations in the size, density, and concentration of the pellets **5** or arrays **20** may be used for other pads, depending on the manner in which the wearer is likely to receive an impact. It is not necessary that all padding in the padding rig **50** be of the structure taught for pellets **5** or arrays thereof, but it is preferred that at least the chest pads **55** or the clavicle pads **75** incorporate such pellets **5**.

[0034] Also, while FIG. 5 depicts one configuration of pads and grooves, other configurations are also possible to protect the wearer. For example, a single chest pad **55** covering the entire chest may be used. Alternatively, the chest pad **55** and serratus pad **65** may be fused together, or the serratus pad **65** may be larger relative to the chest pad **55** than as is depicted in FIG. 5. Similarly, the clavicle pad **75** and deltoid pad **85** may be fused together or have different relative sizes than as shown in FIG. 5. Furthermore, each individual pad individual may be broken into multiple smaller sections. In view of the particular need for flexibility at the shoulder, as players need to raise their arms for catching, throwing, or tackling, the deltoid pad **85** may particularly benefit from sectioning into smaller arrays or individual pellets **5**, to allow that region to move by expanding multiple spaces between multiple smaller sections, as opposed to relying on fewer, areas for larger expansions (and therefore a larger area exposed from padding). All of these alternative embodiments and others are within the scope of this disclosure.

[0035] FIG. 6 depicts an elevation view of one embodiment of the back of the padding rig 50. Two back pads 150 protect the wearer's upper back. The back pads 150 are separated by a central back groove 155, similar to the central groove 60 separating the chest pads 55. Each back pad 150 is separated from a clavicle pad 75 by a posterior lateral groove 160. As with the front padding, in alternative embodiments the back pads 150 may be joined into a single pad or subdivided into multiple pads.

[0036] In some embodiments, and as depicted in FIG. 7, the chest pads 55, serratus pads 65, clavicle pads 75, and back pads 150 may be sewn between two fabric layers 95 and 100. FIG. 7 shows an array 20 of pellets 5 connected by substrates 15 and covered by two layers of fabric 95 and 100. The outer fabric layer 95 covers the outside of the padding, while the inner fabric layer 100 is between the wearer and the pad. This two-ply construction protects the padding rig 50 from incidental wear and tear while also protecting the skin of the wearer from chafing or other potentially uncomfortable contact with the foam pads. In some embodiments, the outer layer 95 may be sewn to the inner layer 100 to form a series of grooves, as further described below, and serried enclosed pockets where the pads located. The serried pockets subdivide the padding rig 50. By situating the pads in the enclosed pockets, the pads are prevented from shifting about or folding over during play. Rather, the pads are maintained in place by being sandwiched between the inner layer 95 and the outer payer 100 inside the enclosed pocket.

[0037] In other embodiments, a single-ply fabric may be used. For example, the pads may be adhesively attached to the front of the fabric layer 100 with an exposed pad surface. In such an embodiment, the fabric 100 is between the wearer's skin and the pads. Alternatively, the pads may be adhesively attached to the single-ply fabric 95, such that the fabric 95 covers both the pad and the wearer, with the pads adjacent to the skin.

[0038] While any type of fabric may be used to allow the wearer to don the padding rig 50, the inventors have found that in some embodiments a compression fabric or other high tenacity stretch fabric that forms a close-fitting garment provides additional advantages. In particular, compression fabric conforms the pads of the padding rig 50 close to the body and prevents the pads from shifting during the course of play.

[0039] In some embodiments, the deltoid pads **85** may be sewn between an outer layer **95** and inner layer **100** of the fabric, as described above with reference to FIG. 7. In other embodiments, as depicted in FIG. 8, the deltoid pads **85** are separate from the inner layer **75** of fabric. In this embodiment, each deltoid pad **85** is covered by an outer layer **95** over the outside and a middle layer of fabric **105** that wraps underneath the deltoid pad **75** and is attached to the inner layer **100** of fabric at a seam **110** located underneath the deltoid pad **75**. The middle layer **105** may be formed together with the top layer **95**, or it may be sewn into a seam with the top layer **95** along the edge of the deltoid pad **85**. In either case, separating the deltoid pad **85** from the inner layer **100** in this manner allows the wearer to rotate or move the upper arm relatively independent from the deltoid pad **85**. The inner layer **100** extends down the upper arm to form the sleeve **120**.

[0040] Returning to the embodiment depicted in FIG. 5, the central groove **60**, anterior grooves **70**, lateral grooves **80**, and shoulder grooves **90** are each wide enough to form a seam **125**. If the fabric is compression fabric, the seam **125** optimally should be wide enough to create an overlapping seam between the different layers of fabric, such that the seam **125** can stretch proportionally as the fabric is stretched. If compression fabric is not used, the seam **125** can be very thin, and the grooves can be correspondingly thin. The grooves are areas without padding and allow each pad to shift with the wearer's movements independently of the other pads. Thus the wearer can move the muscles of his shoulders, upper arm, upper back, and chest relatively freely, without having to move, or being restricted by, the remainder of the shoulder pads **50**.

[0041] In some embodiments, the grooves may be sized such that when a wearer shifts into particular positions in which a tackle, hit, blow, or other impact is likely to occur, the pads shift together to simulate the appearance and provide the protection of a single solid pad. For example, in football, a defensive player may set himself into a crouch with arms extended forward to tackle the ball carrier. In this position, the chest pads **55** and serratus pads **65** would be forced forwardly and inwardly by the wearer's stance. The chest pads **55**, which are normally separated by the central groove **60**, would collapse toward each other until the central edges **56** of the chest pads **55** are adjacent to each other. Similarly, the serratus pads **65** would be forced toward the chest pads **55**, such that the interior

edges **66** of the serratus pads **65** slide next to the exterior edges **57** of the chest pads **55**. In this manner, the serratus pads **65** and chest pads **55** form the appearance of a single pad across the wearer's chest in order to protect the wearer during the impending tackle.

[0042] Similarly, the clavicle pads **75** and deltoid pads **85** can protect a wide receiver leaping to catch a high pass, or a quarterback in the motion of throwing a ball. As the wearer's arm is raised, the player's deltoid and shoulder contract toward the neck. Accordingly, the deltoid pad **85** shifts inwardly to sit adjacent to the clavicle pad **75**, simulating a single, solid pad stretching over the top of the shoulder towards the neck.

[0043] In some embodiments, and as further described with reference to FIGS. 9-11 below, the padding rig **50** may be augmented with an impact plate **4**. In other embodiments, the padding rig **50** alone may be worn by the wearer to provide protection. This may be particularly advantageous during low- and medium-impact play, such as during practices where tackling is not allowed, or where the players otherwise conduct "no pad workouts." In "no pad workouts," players typically remove their traditional hard plastic and other bulky padding in order to both protect players' health long term, deter or limit the amount of impacts taken by the body during practice, and focus on game planning and strategy. The padding rig **50** described herein is suitably flexible to allow players to conduct practices and drills without the bulkiness of traditional football shoulder pads, while also providing additional protection in the event of an inadvertent fall, hit, tackle, or other impact. In some of these embodiments, the padding rig **50** may take the form of a shirt, bib, drape, or harness worn over the upper body and abdomen, with pads to protect the wearer where appropriate. Such embodiments of the padding rig **50** could be used in actual gameplay, with or without the impact plate **4** described below.

[0044] In other embodiments, and having particular advantages during games and other high-impact play, an impact plate **4** is provided over each shoulder, in the nature of a hard exoskeleton or yoke **130** as shown in one embodiment in FIG. 9 to further support the pads of the padding rig **50** and protect the user. As depicted in FIG. 9, the yokes **130** may be joined to form a single construction, for example by connecting each yoke **130** with a rigid or flexible plastic connection **136** across the front section **135** of the yoke.

Alternatively, one yoke **130** may be separate from and move independently of the other yoke **130**. Any hard material may be used to form the yokes **130**. The inventors have found that recycled carbon fiber yokes **130** provide more protection than hard plastics or other rigid materials, as the recycled carbon fiber plates can be conformed to the radius of the shoulder and tend to absorb and release back impact energy rather than transferring it unto the wearer. Furthermore, the recycled carbon fiber can be manufactured at a very thin thickness (for example, 4-8 sheets of carbon fiber, resulting in a thickness of 0.5-0.8 mm). Recycled carbon fiber sheets having this thickness is flexible and can react to impact forces by absorbing the impact and springing back into shape. This allows the yoke **130** to flex with the wearer in order to not hamper the wearer's flexibility or mobility. In such ultrathin embodiments, and as depicted in FIG. 9, the edge of the yoke **130** may be surrounded by a pad or seam **131** to prevent the yoke **130** from inadvertently cutting into the wearer or the padding rig **50**. However regular carbon fiber or typical hard plastics may be used without departing from the scope of this disclosure.

[0045] The yoke **130** may be constructed in the general pattern typical of the prior art, being essentially flat on the front and covering an area approximately four to six inches wide (on each side) for an adult model. In the embodiment depicted in FIG. 9, the yoke **130** is constructed of carbon fiber as discussed above, and therefore is able to have a reduced profile. As shown, yoke **130** has a front section **135** that is widest at the base of the neck where the clavicle requires protection. However, contrary to typical traditional shoulder pad yokes, the yoke **130** as shown in FIG. 9 has a cut-out section relying on a narrower band of material to protect downward, across the bottom of the rib cage, and then upward again. As shown, this section looks like a "J" or a backwards "J" in appearance. The omission of material in locations typically covered by traditional shoulder pads is most appropriate when the padding rig employs pellets **5** in the area exposed by the omitted material, or when the yoke **130** is constructed of carbon fiber as suggested, or optimally, both. Even without such aspects, the upward projecting portion **131** of the yoke **130** serves to offset the lack of material in the yoke **130** and thereby provide a weight and cost savings to the yoke **130** overall, while still maintaining a protective profile.

[0046] Turning to the back section **145** of the yoke **130**, here also cut-outs are employed to reduce weight and cost. As shown here, the material of the yoke **130** encircles the cutout, as opposed to the open-sided cutout shown on the front section **135**. In consequence, the configuration of the back section **145** has an appearance somewhat reminiscent of a block “O” design to protect the player’s back and rib cage in the same manner. The use of such a stronger O design with both sides intact on the back as compared to the single-sided J on the front is believed appropriate in view of the fact that strikes to the front are more likely to be deflected or met by the arms of the player. The “J” and block “O” shapes provide increased protection over the wearer’s rib cage while also covering less space over the wearer’s chest and back, thereby reducing the weight of the yoke **130** and any resistance against the wearer’s flexibility or mobility. This permits the wearer to move relatively unhindered by the yoke **130**, compared to stiffer or heavier yokes **130**. Additionally, the open designs of the J and O shapes advantageously contribute to ventilation to cool athletes during play. However, other shapes for the front section **135** and back section **145**, such as solid plates, one or more strips extending down from the middle section **140**, or plates having multiple holes or cut outs, may be used without departing from the scope of this disclosure.

[0047] The middle section **140** of the yoke **130** is rounded and protects the wearer’s shoulder and clavicle. As depicted in FIG. 10, a protrusion **141** may extend inward and downward to protect the collarbone. As depicted in the embodiment of FIG. 10, the front section **135**, middle section **140**, and back section **145** may be formed of a unitary construction or mold. Because the padding is integrated into the shirt, it is unnecessary to include a buckle or other device to secure the yokes **130** to each other in some embodiments.

[0048] In some embodiments, the yoke **130** may be of varying thicknesses in different sections in order to provide additional strength in locations where particularly high impacts are anticipated. In these embodiments depicted, the flexibility of the yoke **130** in various sections is dependent upon its thickness. For example, and as depicted in FIGS. 9 and 10, the front section **135** and back section **145** are thinner than the middle section **140** to provide additional flexibility across the chest and back, while the middle section **140** is

thicker relative to the front section **135** and back section **145**. in view of the higher impact forces experienced across the shoulders when a player tackles another player. In other embodiments, the yoke **130** may be thicker in the back section **145**, for example, which may be particularly advantageous for wide receivers who are prone to being tackled from behind or in mid-air. Other variations in the thickness and/or flexibility of the yoke **130**, including gradual increases or decreases in thickness across a section or in particular regions, may also be used.

[0049] In some embodiments, and as depicted in FIG. 10, to further protect the “point” of the shoulder and the deltoid muscle, an epaulet **165** may be attached to the middle section **140** and extend over the deltoid pad **85**. The epaulet **165** may be formed of carbon fiber or hard plastic. Preferably, the epaulet **165** is attached only to the yoke **130**, such that the epaulet **165** is substantially independent of and may react to impact forces separately from, the deltoid pad **85**. However, this is not required in all embodiments.

[0050] In some embodiments, and as depicted in FIG. 11, the yokes **130** forming the impact plate **4** may be completely detached from the padding rig **50**. In other embodiments, the yoke **130** may be secured to the shirt by VELCRO™, double-sided tape, or some other detachable means of adhering the yoke **130** to the padding rig **50**. To don embodiments of the shoulder pads that have the impact plate **4** detached from the padding rig **50**, the wearer first puts on the padding rig **50**. Then, the wearer slips a yoke **130** over each shoulder, aligns the yoke **130** over the padding rig **50**, and then affixes the yoke **130** to the padding rig **50** as appropriate. In other embodiments, the impact plate **4** may be slipped over the padding rig **50** before the entire assembly is donned at once by the wearer.

[0051] While the shoulder pads described above are most likely to be used in football, similar configurations may be used for hockey, rugby, lacrosse, and field hockey players. Additional chest protectors for baseball or softball catchers may also have similar configurations.

[0052] A padding rig **50** with an impact plate **4** may be used in other athletic and non-athletic environments where impact protection is important. It will be appreciated that

the padding rig **50** and the impact plate **4** may be configured in a size and shape appropriate to the body part or structure to be protected. For example, in another embodiment, a soccer shinguard has a padding rig **50** adapted to conform to the player's shin and has one or more pockets enclosing foam padding as described above. A thin impact plate **4** covers the outside of the padding. In some embodiments, the impact plate **4** is integrated into the padding rig **50**; for example, it may be sewn into the enclosed pocket with the foam padding. In other embodiments, the impact plate **4** may be slid over and attached to the padding rig **50**, or the padding rig **50** may be removably received in a sleeve portion of the padding rig **50**, giving the player the option of wearing the hard impact plate **4** or simply playing with the softer padding rig **50**.

[0053] In other embodiments, a helmet may be formed having foam padding on the interior of the helmet and a hard impact plate **4** or shell on the exterior. The same concept may be used for football, hockey, lacrosse, and rugby helmets, as well as firemen's hats and construction hard hats.

[0054] In still other embodiments, the padding may be applied to any structure where impact forces are likely. For example, a basketball pole or football uprights may be wrapped in a padding rig **50** with the foam padding inside. If the padding rig **50** is used to protect a fragile, brittle, or easily deformable structure (for example, a thin wooden structural column, as may be used on a patio or deck), an impact plate **4** may be laid over the padding rig **50** to provide additional impact protection. If, alternately, the padding on the structure is intended to protect players or persons that may strike the structure, it may be advantageous for the foam to be outward of any impact plate **4**.

[0055] The embodiments provided above are intended as examples of potential uses of the foam padding in various applications and is not intended to limit the scope of use or structure of the foam padding, padding rig **50**, and impact plate **4**, which may be advantageously applied in any scenario where a need for protection against impact forces is anticipated or desired.

[0056] While the invention has been described with respect to a limited number of embodiments, those skilled in the art, having benefit of this disclosure, will appreciate

that other embodiments can be devised which do not depart from the scope of the invention as disclosed here. Accordingly, the scope of the invention should be limited only by the attached claims.

CLAIMS

What is claimed is:

1. A foam padding comprising a first foam pellet comprising an aperture substantially near a minor axis thereof.
2. The foam padding of claim 1, wherein the aperture passes through the first pellet.
3. The foam padding of claim 1, where the first pellet is of a nonuniform density.
4. The foam padding of claim 3, where the first pellet comprises a first half characterized by a first density and a second half characterized by a second density.
5. The foam padding of claim 1, where the foam is polyurethane.
6. The foam padding of claim 1 further comprising a second foam pellet, and a substrate connecting the first foam pellet to the second foam pellet.
7. The foam padding of claim 1 further comprising multiple other foam pellets, and multiple substrates interconnecting the first foam pellet with the other foam pellets.
8. The foam padding of claim 7, further comprising an area between two substrates through which air can pass.
9. A foam padding comprising a plurality of foam pellets, at least one of said foam pellets comprising an aperture substantially near a minor axis thereof.
10. A foam padding as in Claim 9, further comprising a first region of the at least one of said pellets having a first density, and a second region of the at least one of said pellets having a second density, wherein the first density and the second density are not the same.
11. A foam padding as in Claim 10, wherein the first region and the second region are bonded together.

12. A foam padding as in Claim 11, wherein the aperture passes through the at least one of said foam pellets.
13. The foam padding of claim 6 further comprising a substrate connecting the at least one of said foam pellets to at least one other foam pellet.
14. The foam padding of claim 13 wherein foam pellets are arranged in a linear array.
15. The foam padding of claim 13, wherein foam pellets are arranged as a sheet, with substrates interconnecting at least some of the plurality of foam pellets.
16. The foam padding of claim 15, comprising an area between at least two foam pellets, said area having at least one location that is free of substrate through which air can pass.
17. The foam padding of claim 6, further comprising a first textile layer.
18. The foam padding of claim 17, further comprising a second textile layer disposed at least partially on an opposite side of the at least one pellet from the first textile layer.
19. The foam padding of claim 14, wherein the first textile layer is in the form of a shirt.
20. The foam padding of claim 19, wherein the first textile layer comprises a torso portion and a sleeve portion.
21. A protective foam pad comprising:
 - a. a first textile layer adapted to enclose a protected area; and
 - b. a plurality of foam pellets arranged in an array and disposed along the first textile layer, where at least one pellet has an aperture through the pellet substantially near the minor axis.
22. The protective foam pad of claim 21 where the first textile layer is a compression fabric.
23. The protective foam pad of claim 21 further comprising a second textile layer on a side of the foam pad opposite the first textile layer.

24. The protective foam pad of claim 23 where the second textile layer is a compression fabric.
25. The protective foam pad of claim 24, where the foam pad comprises two sections, and the first textile layer and second textile layer are sewn together between the two sections.
26. The protective foam pad of claim 21, where the plurality of foam pellets are connected to one another into a foam unit.
27. The protective foam pad of claim 26, where multiple foam units are attached to the first textile layer, such that a first foam unit is maintained in special relationship to a second foam unit without being directly affixed to the second foam unit.
28. Pads for use in athletic competitions comprising:
 - a. a first textile layer adapted to receive an upper body of a wearer;
 - b. a second textile layer sewn to the first textile layer to form a plurality of enclosed pockets; and
 - c. a plurality of foam arrays arranged in the plurality of enclosed pockets, each foam array comprising a plurality of foam pellets having an aperture substantially near a minor axis thereof, and a substrate connecting the plurality of foam pellets.
29. The pads of claim 28, where the first textile layer is a compression fabric.
30. The pads of claim 28, where the enclosed pockets are separated by an area free of pockets.
31. The pads of claim 28, further comprising a yoke in the form of an arch adapted to fit over a shoulder of the wearer.
32. The pads of claim 31, wherein the yoke comprises recycled carbon fiber.
33. The pads of claim 31, wherein the yoke is removable.

34. The pads of claim 31, where the yoke further comprises a front section in the approximate shape of a “J.”
35. The pads of claim 31, wherein the yoke further comprises a back section in the approximate shape of an “O.”
36. The pads of claim 31, further comprising an epaulet attached to the yoke in a position to extend over a shoulder of the wearer when worn.
37. Shoulder pads for use in athletic competitions comprising:
- a. a padding rig comprising
 - i. an inner textile layer;
 - ii. an outer textile layer; and
 - iii. a plurality of foam pellets sandwiched between the inner textile layer and outer textile layer, said pellets comprising an aperture substantially near a minor axis thereof,where the foam pellets are arranged about the padding rig.
38. The shoulder pads of claim 37, wherein the inner textile layer and outer textile layer are sewn together to form a plurality of seams subdividing the padding rig into a plurality of sections containing at least one foam pellet.
39. The shoulder pads of claim 37, wherein multiple foam pellets in a section are connected by a substrate.
40. The shoulder pads of claim 37, where a foam pellet comprises a first region having a first density and a second region having a second density, wherein the first density and the second density are not the same.
41. The shoulder pads of claim 40, where the foam pellet further comprises a first half having the first density.

42. The shoulder pads of claim 37, wherein at least one of the inner textile layer and the outer textile layer comprises a compression fabric.

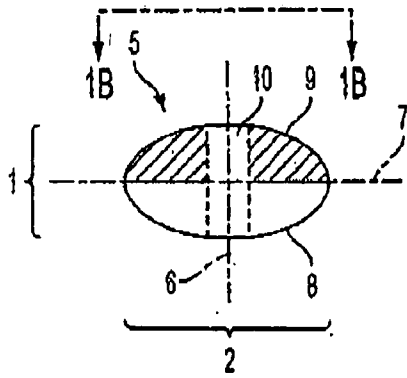


FIG. 1A

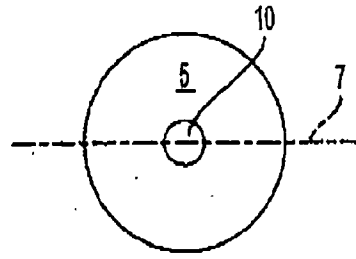


FIG. 1B

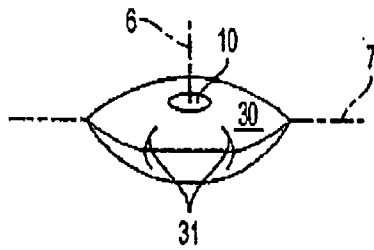


FIG. 1C

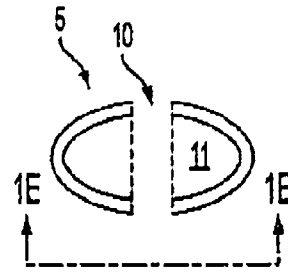


FIG. 1D

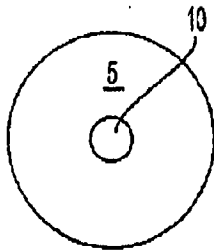


FIG. 1E

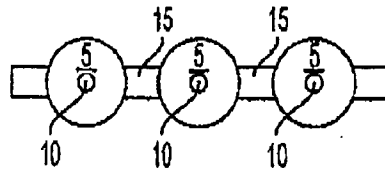


FIG. 2

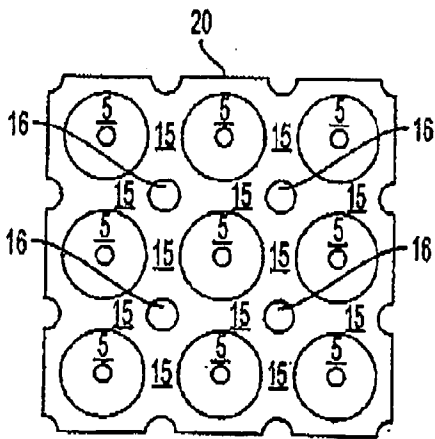


FIG. 3

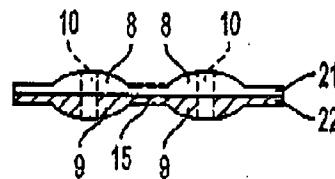


FIG. 4

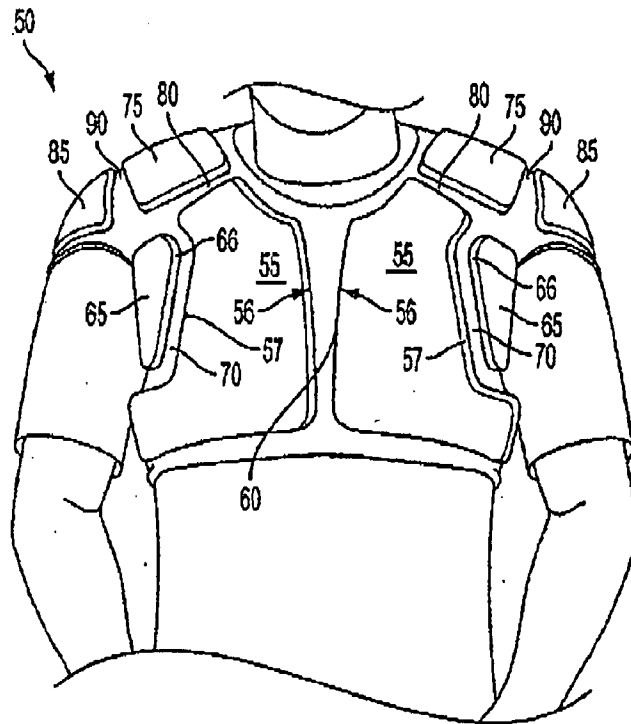


FIG. 5

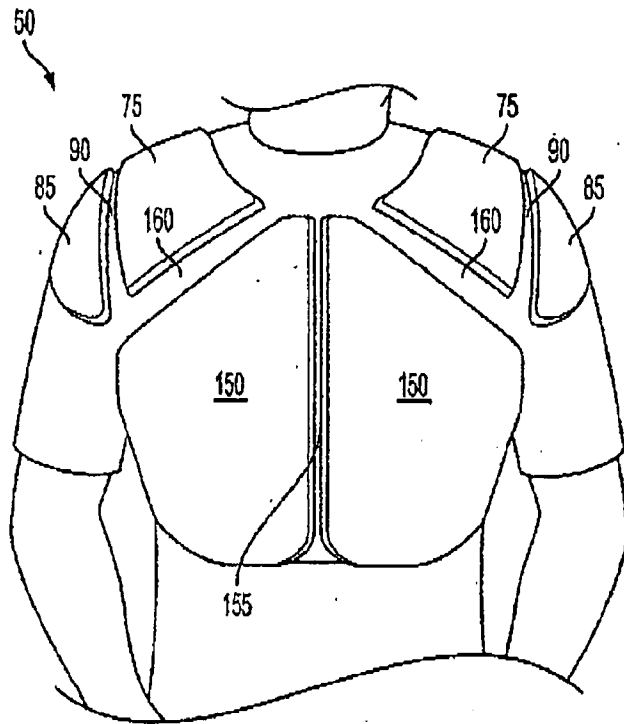


FIG. 6

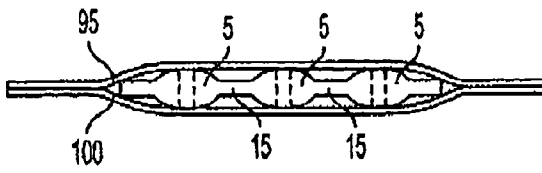


FIG. 7

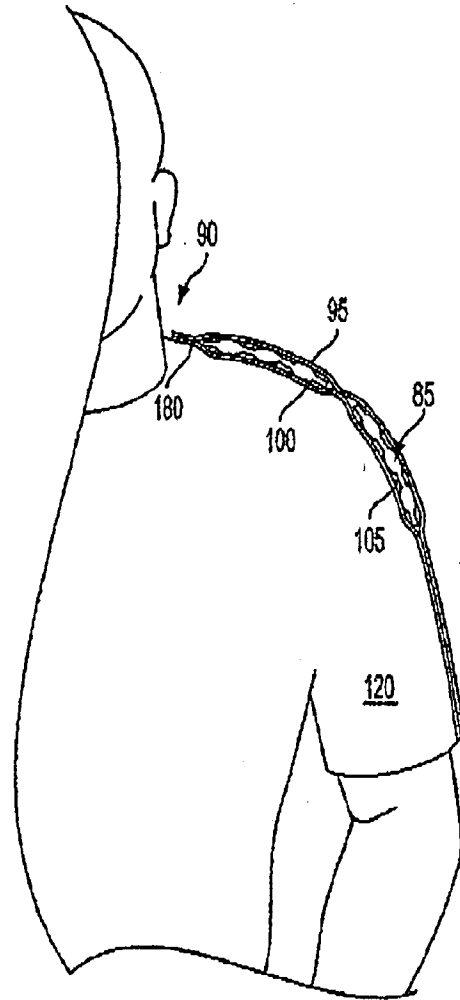


FIG. 8

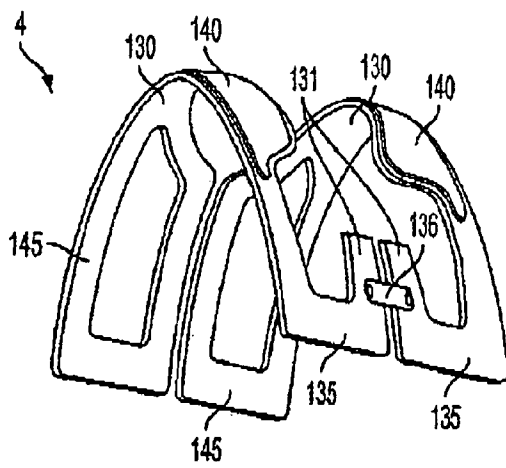


FIG. 9

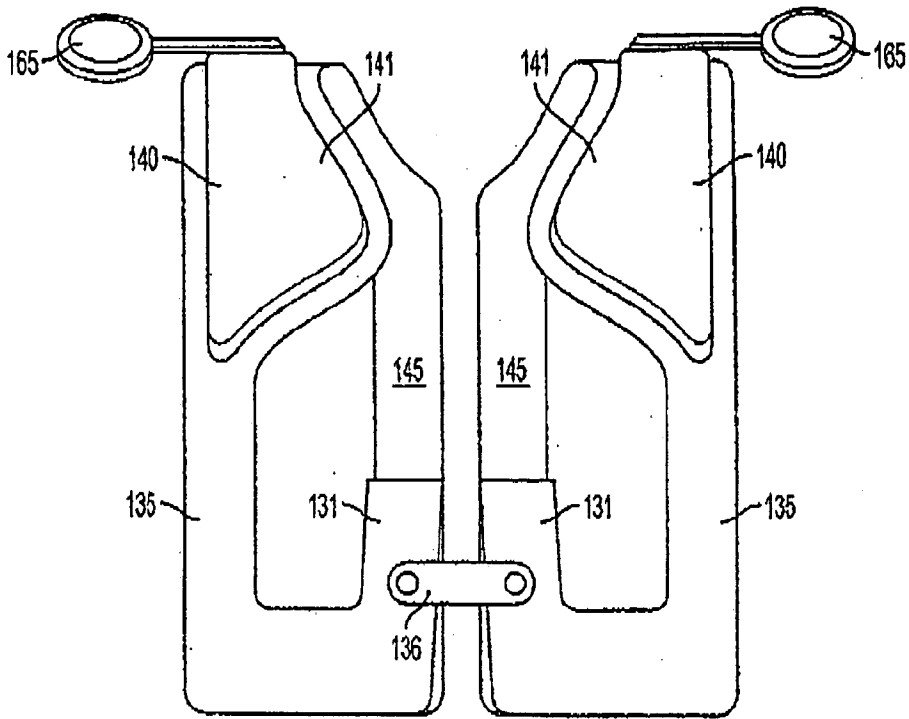


FIG. 10

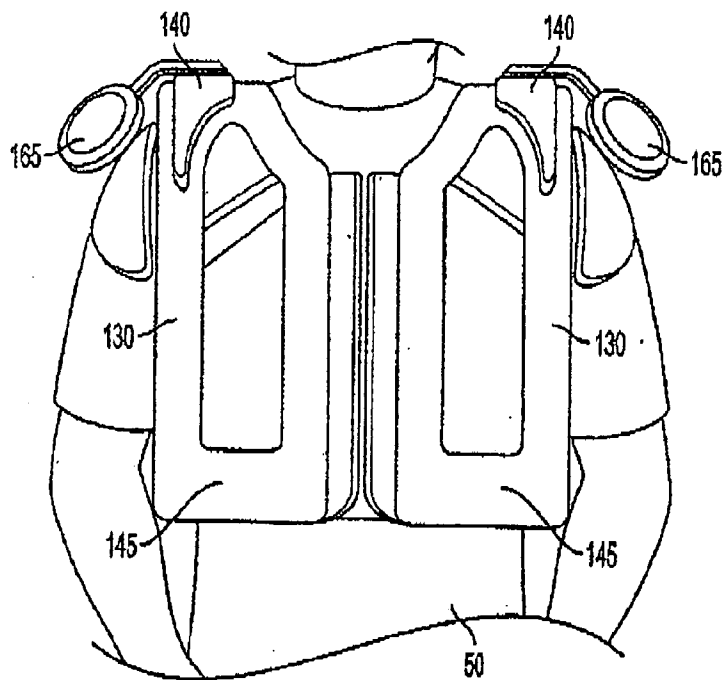


FIG. 11

INTERNATIONAL SEARCH REPORT

International application No.
PCT/US14/27973

A. CLASSIFICATION OF SUBJECT MATTER
 IPC(8) - A41D 13/015, 13/05; A63B 71/08 (2014.01)
 USPC - 2/268, 461, 459
 According to International Patent Classification (IPC) or to both national classification and IPC

B. FIELDS SEARCHED
 Minimum documentation searched (classification system followed by classification symbols)
 IPC(8): A41D 13/015, 13/05, 13/00, 27/20, 27/26, 31/02; A63B 71/08 (2014.01)
 USPC: 2/247, 267, 268, 456, 459, 461, 462, 463; 428/117

Documentation searched other than minimum documentation to the extent that such documents are included in the fields searched

Electronic data base consulted during the international search (name of data base and, where practicable, search terms used)
 MicroPatent (US-G, US-A, EP-A, EP-B, WO, JP-bib, DE-C,B, DE-A, DE-T, DE-U, GB-A, FR-A); Google Scholar; Google; ProQuest; foam, open-cell, closed-cell, polyurethane, pellets, balls, nuggets, segment, peanuts, globes, lumps, spheroids, padding, stuffing, filling, material, insulation, cushioning, pads, protection, guard, shield, armor, aperture, hole, opening, gap, space, minor axis, density, substrate

C. DOCUMENTS CONSIDERED TO BE RELEVANT

Category*	Citation of document, with indication, where appropriate, of the relevant passages	Relevant to claim No.
X --- Y	US 2010/0173116 A1 (BAINBRIDGE, DW) 08 July 2010; abstract; paragraphs [0024], [0027]-[0029], [0032], [0045], [0055]-[0056], [0086]-[0087], [0121]-[0133], [0142]-[0149], [0172]; figure 13, 17-20, 22; claims 1, 5, 11, 16-17	1-2, 5-7, 9, 17 --- 3-4, 8, 10-16, 18-33, 36-42
Y Y	US 5,168,576 A (KRENT, ED et al.) 08 December 1992; abstract; column 1, lines 41-58; column 2, lines 7-55; column 3, lines 35-53; column 5, lines 15-55; column 8, lines 31-36; figures 7-8, 17; claims 3, 27	3-4, 10-12, 21-27, 29, 40-42
	US 5,860,163 A (ALDRIDGE, DA) 19 January 1999; column 2, lines 35-40	8, 13-16, 18-20
Y Y	US 2011/0277226 A1 (TURNER, D) 17 November 2011; abstract; paragraphs [0003]-[0004], [0040], [0046], [0058], [0068], [0080]-[0086]; figure 21-22, 29-30; claims 1, 4, 6, 10-11, 19	28-33, 36-42
	US 2005/0075046 A1 (WILLIAMS, MK) 07 April 2005; paragraphs [0021]-[0023], [0031]; claim 1	24-25
Y	US 2002/0090504 A1 (BAINBRIDGE, DW et al.) 11 July 2002; paragraphs [0051], [0056]	38
A	US 4,590,622 A (WOLFE, RA et al.) 27 May 1986; column 2, lines 40-50; column 3, lines 12-18; claim 1	1-42
A	US 6,070,273 A (SGRO, J) 06 June 2000; entire document	1-42
A	US 4,486,901 A (DONZIS, BA) 11 December 1984; entire document	1-42

Further documents are listed in the continuation of Box C.

* Special categories of cited documents:
 "A" document defining the general state of the art which is not considered to be of particular relevance
 "E" earlier application or patent but published on or after the international filing date
 "L" document which may throw doubts on priority claim(s) or which is cited to establish the publication date of another citation or other special reason (as specified)
 "O" document referring to an oral disclosure, use, exhibition or other means
 "P" document published prior to the international filing date but later than the priority date claimed
 "T" later document published after the international filing date or priority date and not in conflict with the application but cited to understand the principle or theory underlying the invention
 "X" document of particular relevance; the claimed invention cannot be considered novel or cannot be considered to involve an inventive step when the document is taken alone
 "Y" document of particular relevance; the claimed invention cannot be considered to involve an inventive step when the document is combined with one or more other such documents, such combination being obvious to a person skilled in the art
 "&" document member of the same patent family

Date of the actual completion of the international search 27 June 2014 (27.06.2014)	Date of mailing of the international search report 18 JUL 2014
--	--

Name and mailing address of the ISA/US Mail Stop PCT, Attn: ISA/US, Commissioner for Patents P.O. Box 1450, Alexandria, Virginia 22313-1450 Facsimile No. 571-273-3201	Authorized officer: Shane Thomas PCT Helpdesk: 571-272-4300 PCT OSP: 571-272-7774
---	---