



US00D324625S

United States Patent [19]

[11] Patent Number: **Des. 324,625**

Mayers

[45] Date of Patent: **** Mar. 17, 1992**

[54] FEEDING CUP

[76] Inventor: **Carole Mayers**, 2214 Scudder St., St. Paul, Minn. 55108

[**] Term: **14 Years**

[21] Appl. No.: **297,318**

[22] Filed: **Jan. 17, 1989**

[52] U.S. Cl. **D7/510; D7/312; D7/514; D7/534**

[58] Field of Search **D7/507, 544, 503, 509-510, D7/514, 523, 533, 534, 536, 321, 322, 320, 312, 300**

[56] **References Cited**

U.S. PATENT DOCUMENTS

D. 27,886	11/1897	Rogers	D7/510
D. 42,163	2/1912	Bottomo	D7/535
D. 119,738	4/1940	Cooner, Jr.	D7/312
D. 163,095	5/1951	Davis	D7/315
D. 255,862	7/1980	Ferrin	D7/312
D. 258,037	1/1981	Conti	D7/598
276,327	4/1883	Atterbury	D7/536 X
4,121,731	10/1978	Okerstrum	D7/510 X

FOREIGN PATENT DOCUMENTS

1959360	6/1971	Fed. Rep. of Germany	D7/534
2137184	2/1973	Fed. Rep. of Germany	D7/534
3124	of 1897	United Kingdom	D7/312
1018820	2/1966	United Kingdom	D7/534

OTHER PUBLICATIONS

Vollrath Co. Advertisement (Publ. Unknown) Apr. 1988, top right-feeding cup/2 Loop Handles, Mouthpiece. *Tableware International*, Jun. 1981, p. 18, Tarastone-Cork Art Potter-2 Loop Handles on Cylindrical cup-bottom center.

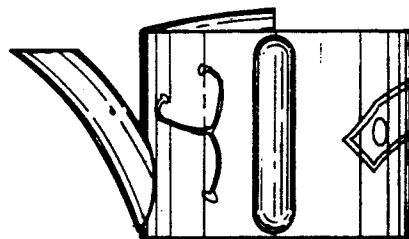
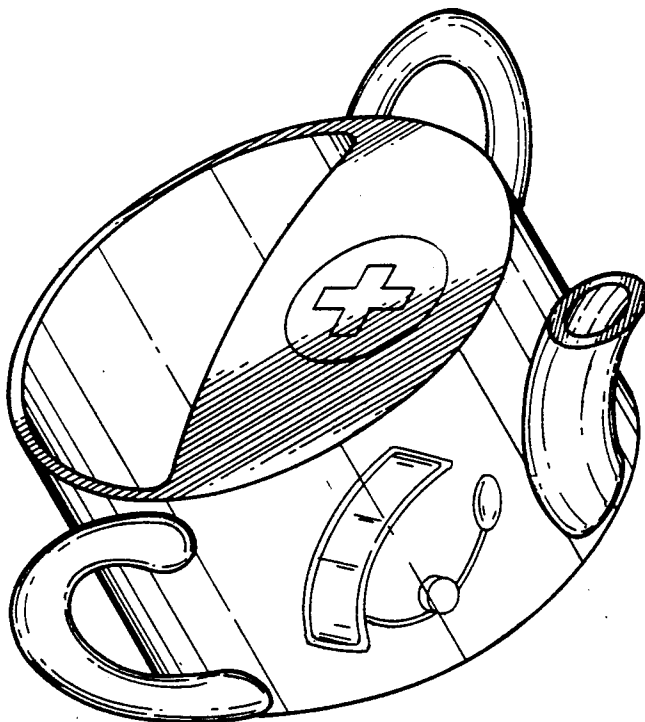
Primary Examiner—Winifred E. Herrmann
Attorney, Agent, or Firm—Terry M. Gernstein

[57] CLAIM

The ornamental design for a feeding cup, as shown.

DESCRIPTION

FIG. 1 is a top, front, and left side perspective view of a feeding cup showing my new design; FIG. 2 is a front elevational view; FIG. 3 is a right side elevational view; FIG. 4 is a left side elevational view; FIG. 5 is a rear elevational view; FIG. 6 is a bottom plan view; and FIG. 7 is a top plan view thereof.



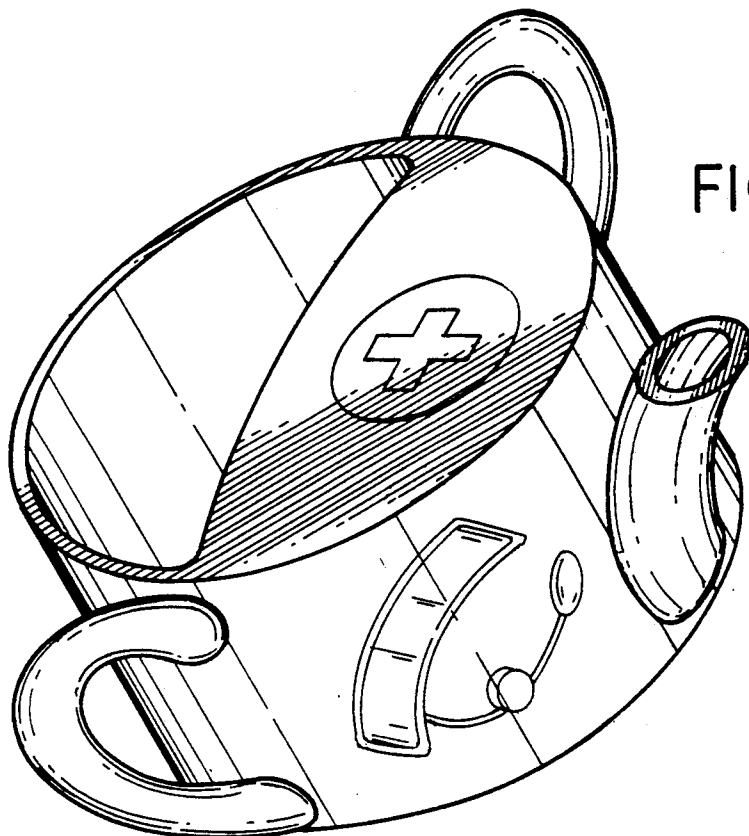


FIG. 1

FIG. 6

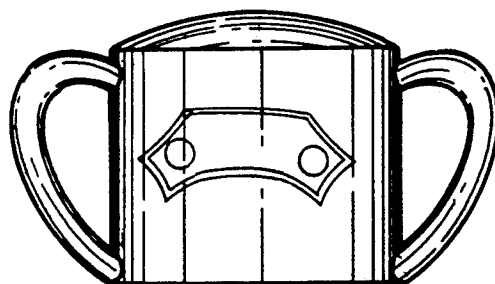
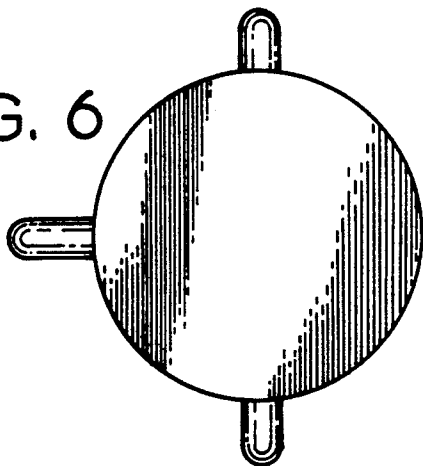


FIG. 5

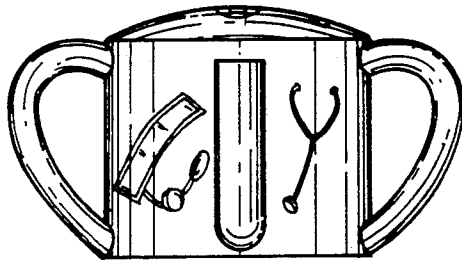


FIG. 2

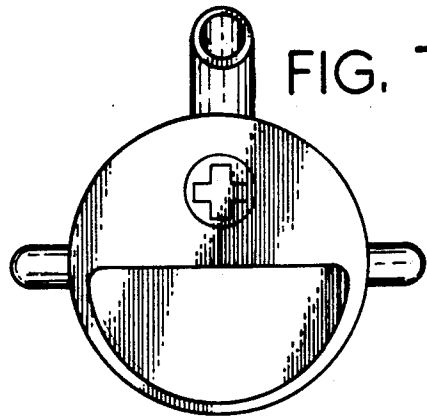


FIG. 7

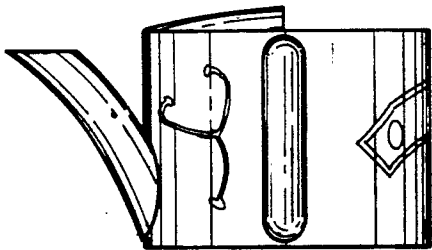


FIG. 3

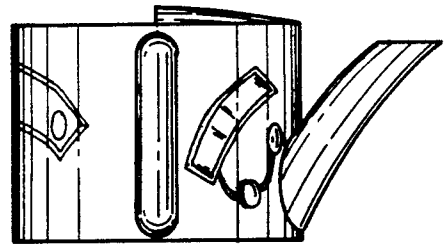


FIG. 4