



US00D811407S

(12) **United States Design Patent**  
**Wadsworth et al.**

(10) **Patent No.:** **US D811,407 S**

(45) **Date of Patent:** **\*\* Feb. 27, 2018**

(54) **OVERLAY**

(74) *Attorney, Agent, or Firm* — Bryan Cave LLP

(71) Applicant: **Belkin International, Inc.**, Playa Vista, CA (US)

(57) **CLAIM**

We claim the ornamental design for the overlay, substantially as shown.

(72) Inventors: **John F. Wadsworth**, Burbank, CA (US); **Yuhua Lin**, Changzhou (CN)

**DESCRIPTION**

(73) Assignee: **BELKIN INTERNATIONAL, INC.**, Playa Vista, CA (US)

FIG. 1 is a top perspective view of an overlay, according to a first embodiment;

(\*\*) Term: **15 Years**

FIG. 2 is a bottom perspective view of the overlay, according to the first embodiment;

(21) Appl. No.: **29/566,357**

FIG. 3 is a top plan view of the overlay, according to the first embodiment;

(22) Filed: **May 27, 2016**

FIG. 4 is a bottom plan view of the overlay, according to the first embodiment;

(51) **LOC (11) Cl.** ..... **14-02**

FIG. 5 is a side elevational view of the overlay, according to the first embodiment;

(52) **U.S. Cl.**

USPC ..... **D14/432**

FIG. 6 is an opposite side elevational view of the overlay, according to the first embodiment;

(58) **Field of Classification Search**

USPC ..... D14/316-319, 432-439, 442, 451-454, D14/496, 495, 391, 385, 367, 356; (Continued)

FIG. 7 is an enlarged side elevational view of a portion of the overlay, as identified in FIG. 5, according to the first embodiment;

(56) **References Cited**

**U.S. PATENT DOCUMENTS**

4,285,559 A 8/1981 Koch  
D305,648 S 1/1990 Edington  
(Continued)

FIG. 8 is a top perspective view of an overlay, according to a second embodiment;

FIG. 9 is a bottom perspective view of the overlay, according to the second embodiment;

FIG. 10 is a top plan view of the overlay, according to the second embodiment;

FIG. 11 is a bottom plan view of the overlay, according to the second embodiment;

FIG. 12 is a side elevational view of the overlay, according to the second embodiment;

FIG. 13 is an opposite side elevational view of the overlay, according to the second embodiment; and,

FIG. 14 is an enlarged side elevational view of a portion of the overlay, as identified in FIG. 12, according to the second embodiment.

The evenly dashed broken lines of the various embodiments of the overlay are directed to environment and are for illustrative purposes only; the evenly dashed broken lines form no part of the claimed design.

**FOREIGN PATENT DOCUMENTS**

CN 201456516 5/2010  
CN 201538078 8/2010  
(Continued)

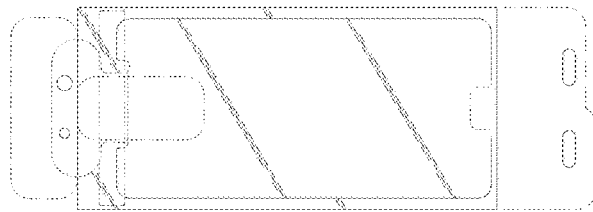
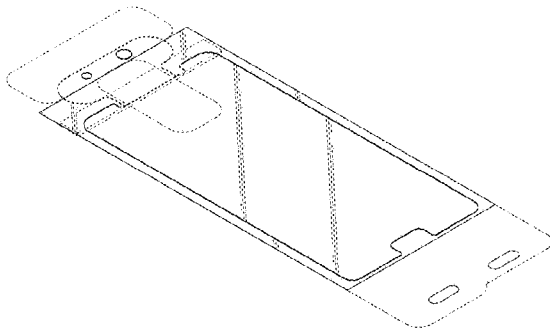
**OTHER PUBLICATIONS**

International Search Report and Written Opinion for PCT/US2014/071767 dated Apr. 24, 2015.

(Continued)

*Primary Examiner* — Austin Murphy

**1 Claim, 6 Drawing Sheets**



(58) **Field of Classification Search**  
 USPC ..... D8/331, 330; D18/50, 4.6, 4.5; 439/630,  
 439/635, 639, 160; 360/2; 235/492, 486,  
 235/479, 380  
 CPC ..... G06F 1/1643; G06F 1/169; H04B 1/3888  
 See application file for complete search history.

(56) **References Cited**

U.S. PATENT DOCUMENTS

4,895,231 A 1/1990 Yamaguchi et al.  
 5,069,732 A 12/1991 Levine  
 5,680,709 A 10/1997 Stone  
 5,805,251 A 9/1998 Ozawa  
 6,406,758 B1 6/2002 Bottari et al.  
 7,084,859 B1 8/2006 Pryor  
 D578,164 S 10/2008 Ingle  
 D598,024 S 8/2009 Scott et al.  
 D601,959 S 10/2009 Lee  
 D601,960 S 10/2009 Dai  
 7,697,827 B2 4/2010 Konicek  
 D627,826 S 11/2010 Halimi  
 7,957,524 B2 6/2011 Chipping  
 7,966,861 B2 6/2011 Yee et al.  
 D641,210 S 7/2011 Hamilton  
 8,044,942 B1 10/2011 Leonhard et al.  
 8,047,365 B1 11/2011 Lin  
 D651,214 S 12/2011 Yoo et al.  
 D651,791 S 1/2012 Cataldo et al.  
 D658,164 S 4/2012 Chan  
 D665,809 S 8/2012 Wang et al.  
 8,369,072 B1 2/2013 Alonzo et al.  
 8,393,377 B2 3/2013 Patel et al.  
 D679,753 S 4/2013 Sato et al.  
 D680,166 S 4/2013 Sato et al.  
 8,517,367 B1 8/2013 Napier  
 D690,704 S 10/2013 Padilla et al.  
 8,564,538 B2 10/2013 Wadsworth  
 D694,240 S 11/2013 Cho  
 8,640,759 B2 2/2014 Chen  
 8,675,353 B1 3/2014 Alonzo et al.  
 D707,217 S 6/2014 Toulotte  
 D710,843 S 8/2014 Akana  
 D713,397 S \* 9/2014 Du ..... D14/250  
 D714,053 S 9/2014 Yoo  
 8,821,659 B2 9/2014 Ng et al.  
 D715,301 S 10/2014 Ashcraft et al.  
 D715,784 S 10/2014 Lin et al.  
 D720,353 S 12/2014 Nakamura  
 D721,359 S 1/2015 Kim  
 8,931,770 B1 1/2015 Kaminski  
 9,001,502 B1 4/2015 Cowan  
 9,010,396 B2 4/2015 Patel et al.  
 D729,235 S 5/2015 Nagao et al.  
 D734,311 S 7/2015 Takamoto et al.  
 9,089,085 B2 7/2015 Patel et al.  
 9,159,260 B2 10/2015 Oh  
 D743,402 S 11/2015 Ehara et al.  
 D746,265 S 12/2015 Colby et al.  
 D747,320 S 1/2016 Snyder et al.  
 D751,556 S 3/2016 Conley et al.  
 D751,557 S 3/2016 Lane  
 D759,640 S 6/2016 Wadsworth  
 D767,550 S \* 9/2016 Beaupre ..... D14/250  
 D769,857 S 10/2016 Shin et al.  
 D772,199 S 11/2016 Igarashi  
 D773,927 S 12/2016 Cernokus et al.  
 D776,123 S 1/2017 Akana et al.  
 D777,714 S 1/2017 Akana et al.  
 D778,869 S 2/2017 Kim et al.  
 D781,861 S \* 3/2017 Lane ..... D14/432  
 D783,024 S \* 4/2017 Conley ..... D14/432  
 9,662,860 B2 \* 5/2017 Wadsworth ..... B32B 7/06  
 9,688,016 B2 6/2017 Rostami  
 9,701,062 B2 \* 7/2017 Wadsworth ..... B29C 65/7808  
 9,701,096 B2 \* 7/2017 Beaupre ..... B32B 7/06  
 2002/0054030 A1 5/2002 Murphy

2004/0109096 A1 6/2004 Anderson et al.  
 2004/0246386 A1 12/2004 Thomas et al.  
 2005/0030296 A1 2/2005 Stohrer et al.  
 2005/0164148 A1 7/2005 Sinclair  
 2007/0013662 A1 1/2007 Fauth  
 2007/0058990 A1 3/2007 Weaver et al.  
 2007/0115621 A1 5/2007 Guillen  
 2007/0229962 A1 10/2007 Mason, Jr.  
 2007/0247793 A1 10/2007 Carnevali  
 2007/0293282 A1 12/2007 Lewis et al.  
 2009/0015509 A1 1/2009 Gottwald et al.  
 2009/0133219 A1 5/2009 Lowry et al.  
 2009/0186181 A1 7/2009 Mase  
 2009/0314400 A1 \* 12/2009 Liu ..... A45C 11/00  
 150/165  
 2010/0053926 A1 3/2010 Shi et al.  
 2010/0079972 A1 4/2010 Chen et al.  
 2010/0097757 A1 4/2010 Wang  
 2010/0309152 A1 12/2010 Kusuda et al.  
 2011/0206887 A1 8/2011 Kim  
 2011/0267793 A1 11/2011 Cohen  
 2011/0279383 A1 11/2011 Wilson et al.  
 2011/0309608 A1 12/2011 Flynn et al.  
 2012/0043015 A1 2/2012 Feller  
 2012/0063077 A1 \* 3/2012 Tomobe ..... H04M 1/0264  
 361/679.01  
 2012/0076967 A1 3/2012 Muramatsu  
 2012/0087072 A1 4/2012 McGuire et al.  
 2012/0110868 A1 5/2012 Abbondanzio  
 2012/0183712 A1 7/2012 Leonhard et al.  
 2012/0211168 A1 8/2012 Patel et al.  
 2012/0211170 A1 8/2012 Patel  
 2012/0261930 A1 10/2012 Bethea  
 2012/0268394 A1 10/2012 Hsu et al.  
 2012/0276318 A1 11/2012 Franke  
 2013/0020005 A1 1/2013 Koblick et al.  
 2013/0020020 A1 1/2013 Liu  
 2013/0040088 A1 2/2013 Hirayama et al.  
 2013/0048203 A1 2/2013 Yau et al.  
 2013/0156999 A1 6/2013 Braesch et al.  
 2013/0184845 A1 7/2013 Hales  
 2013/0237296 A1 9/2013 Chen  
 2013/0264235 A1 10/2013 Lin  
 2014/0047708 A1 2/2014 Chae  
 2014/0055927 A1 2/2014 Wang  
 2014/0124146 A1 5/2014 Patel et al.  
 2014/0250964 A1 9/2014 Dai et al.  
 2014/0332417 A1 11/2014 Wicks et al.  
 2014/0338829 A1 11/2014 Peng et al.  
 2015/0000831 A1 1/2015 Wang  
 2015/0041069 A1 \* 2/2015 Wadsworth ..... B29C 63/024  
 156/535  
 2015/0047773 A1 \* 2/2015 Wadsworth ..... B29C 63/0047  
 156/182  
 2015/0107767 A1 \* 4/2015 Wadsworth ..... B29C 66/861  
 156/324  
 2015/0121691 A1 5/2015 Wang  
 2015/0227226 A1 8/2015 Wierenga et al.  
 2015/0362736 A1 12/2015 Kowasic  
 2017/0001364 A1 1/2017 MacDonald et al.

FOREIGN PATENT DOCUMENTS

CN 102632674 8/2012  
 CN 202623469 12/2012  
 CN 202896928 4/2013  
 CN 202967060 6/2013  
 CN 203077741 7/2013  
 EM 0024866540001 6/2004  
 EM 0024866540002 6/2004  
 EM 0024866540003 6/2004  
 EM 0024866540004 6/2004  
 EM 0024866540005 6/2004  
 EM 0024866540006 6/2004  
 EM 0024866540007 6/2004  
 EM 0024866540008 6/2004  
 EM 0024866960001 6/2004  
 EM 0024866960002 6/2004

(56)

## References Cited

## FOREIGN PATENT DOCUMENTS

EM	0024866960003	6/2004
EM	0024866960004	6/2004
EM	0024866960005	6/2004
EM	0024866960006	6/2004
EM	0024866960007	6/2004
EM	0024866960008	6/2004
EM	0024866960009	6/2004
EM	0024866960010	6/2004
EM	0024866960011	6/2004
EM	0024866960012	6/2004
EM	0024866960013	6/2004
EM	0024866960014	6/2004
EM	0024866960015	6/2004
EM	0024866960016	6/2004
EM	0024867120001	6/2004
EM	0024867120002	6/2004
EM	0024867120003	6/2004
EM	0024867120004	6/2004
EM	0024867120005	6/2004
EM	0024867120006	6/2004
EM	0024867120007	6/2004
EM	0024867120008	6/2004
EM	0024867120009	6/2004
EM	0024867120010	6/2004
EM	0024867120011	6/2004
EM	0024867120012	6/2004
EM	0024867120013	6/2004
EM	0024867120014	6/2004
EM	0024867120015	6/2004
EM	0024867120016	6/2004
JP	10199422	7/1998
JP	2002049327	2/2002
JP	2002057764	2/2002
JP	2003066419	3/2003
JP	2006145918	6/2006
JP	2006155452	6/2006
JP	3124275	8/2006
JP	3180690	12/2012
KR	200454225	6/2011
KR	101080018	11/2011
KR	101135144	4/2012
KR	101176316	8/2012
KR	1020130043720	5/2013
KR	300704457	8/2013
KR	300704458	8/2013
KR	300704459	8/2013
KR	300704460	8/2013
KR	1020130092713	8/2013
KR	1020130092804	8/2013
KR	300720375	12/2013
KR	300720376	12/2013
KR	101408663	6/2014
KR	1020140070046	6/2014
KR	1020140076245	6/2014
KR	101468710	12/2014
KR	200475419	12/2014
KR	200475420	12/2014
KR	1020140136596	12/2014
KR	1020140142904	12/2014
KR	1020140143262	12/2014
KR	1020150006910	1/2015
KR	200476916	4/2015

KR	1020150039292	4/2015
KR	2020150001663	5/2015
KR	300804459	7/2015
KR	1020160022665	3/2016
KR	1020160022755	3/2016
KR	1020160061078	5/2016
KR	1020160088067	7/2016
KR	1020160091491	8/2016
KR	2020170000128	1/2017
TW	1401223	7/2013
WO	2004005141	1/2004
WO	2005058705	6/2005
WO	WO2011065796	6/2011
WO	2011163151	12/2011
WO	2012074802	6/2012
WO	2012141505	10/2012

## OTHER PUBLICATIONS

International Search Report and Written Opinion for PCT/US2014/060300 dated Jan. 27, 2015.

Amzer—Kristal Screen Protectors—<http://www.amzer.com/kristal/>, Mar. 21, 2014.

MyScreenPROTECTOR—<https://www.myscreenprotector.com/?Ing=3&view=cms&txt=about-my-screen-protector>, Mar. 21, 2014.

PureGear—PureTek Roll-On Kit—<http://www.pure-gear.com/shop-by-category/screen/puretek-roll-on-kit-antibacterial-antiglare-anti-fingerprint.html>, Mar. 21, 2014.

Tylt Alin Perfect Alignment Screen Protection—<http://www.tylt.com/alin/>, Mar. 21, 2014.

Zagg Introduces invisibleSHIELD On Demand and invisible Shield Glass at CES 2—<http://investors.zagg.com/releasedetail.cfm?ReleaseID=817526>, Mar. 21, 2014.

International Search Report and Written Opinion for PCT/US2014/050420 dated Nov. 19, 2014.

International Search Report and Written Opinion for PCT/US09/61553, dated Dec. 17, 2009.

Protrusion on “F” key of computer keyboard; 1 page; picture taken Oct. 20, 2008.

Protrusion on “5” key of telephone; 1 page; picture taken Oct. 20, 2008.

Systech Displays, Inc.; Home page; <http://www.systechdisplays.com/>; Oct. 21, 2008; 2 pages.

Translation of KR-10-1135144, retrieved from the Internet on Jun. 9, 2017.

Belkin Ez Frame Iris Anti-glare Film, posted at ebay.com, posting date Jul. 26, 2017, Copyright (C) 1995-2017 eBay Inc., [online], [site visited Mar. 20, 2017]. Available from Internet, <URL: <http://www.ebay.com/itm/BelkinEzFrameIrisAntiglareFilmwithEasyInstallFrameforIphone55S/171728155795>>.

Belkin InvisiGlass Ultra Screen Protection for iPhone 7, posted at apple.com, posting date not given, Copyright (C) 2017 Apple Inc., [online], [site visited Mar. 20, 2017]. Available from Internet, <URL: <http://www.apple.com/shop/product/HKF2ZM/B/belkininvisiultrascreenprotectionforiphone7>>.

Belkin ScreenForce Transparent Screen Protector, posted at belkin.com, (C) 2017 Belkin International, Inc., [online], [site visited Mar. 20, 2017]. Available from Internet, <URL: <http://www.belkin.com/us/F8W526-3/p/P-F8W526-3/>>.

\* cited by examiner

FIG. 1

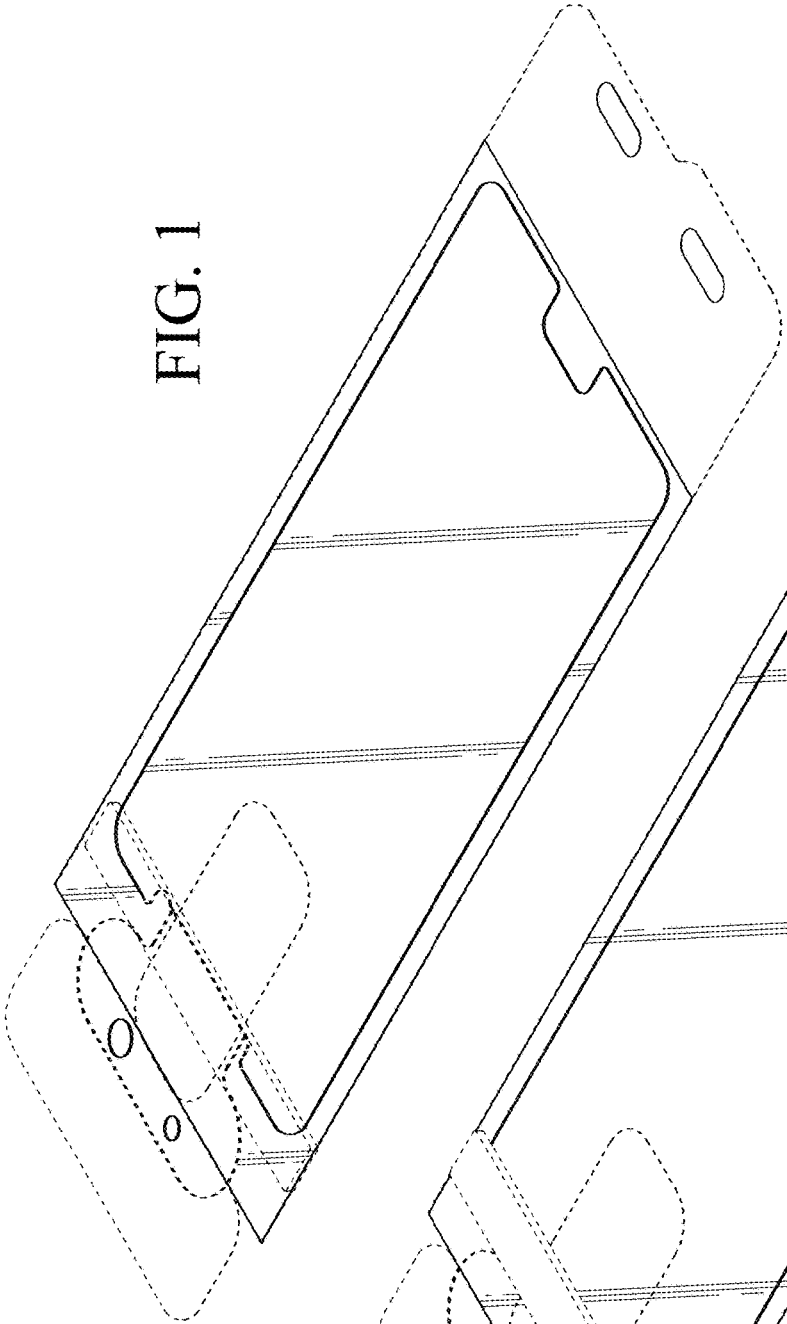
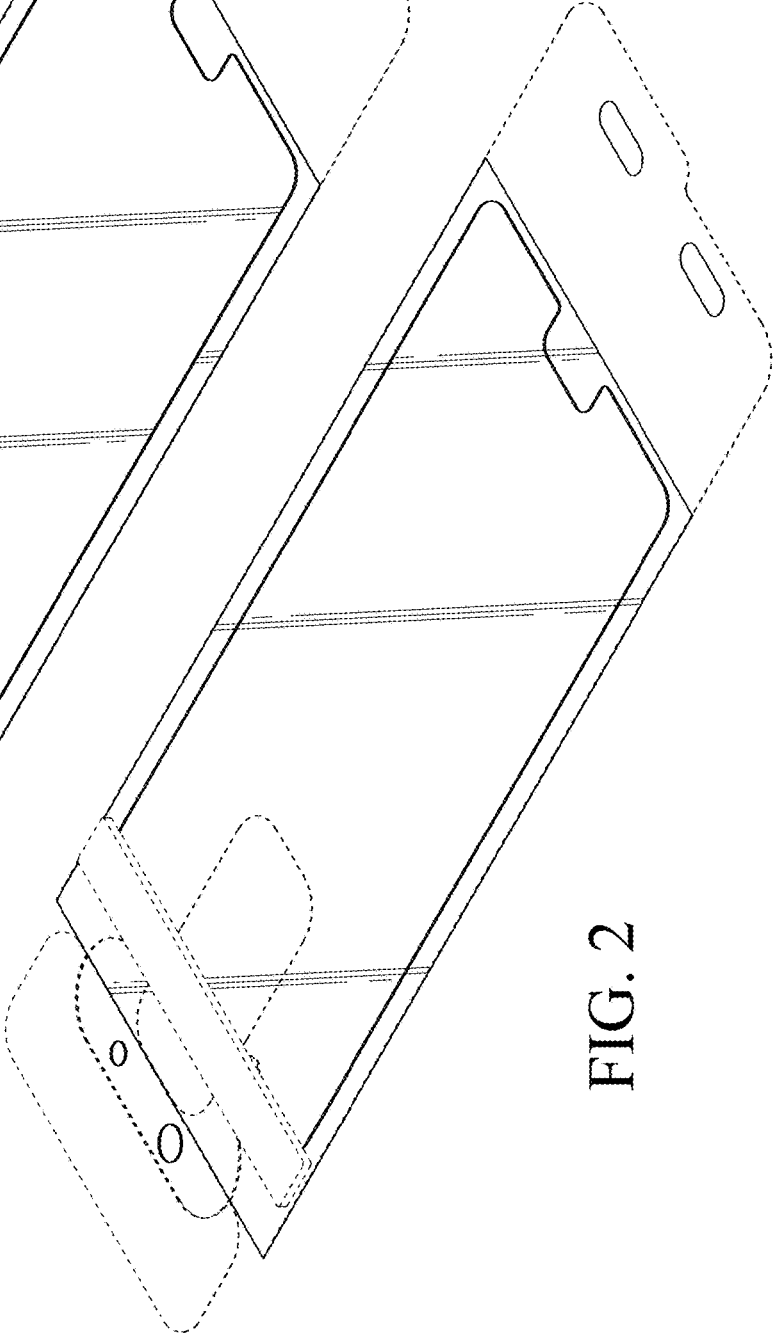


FIG. 2



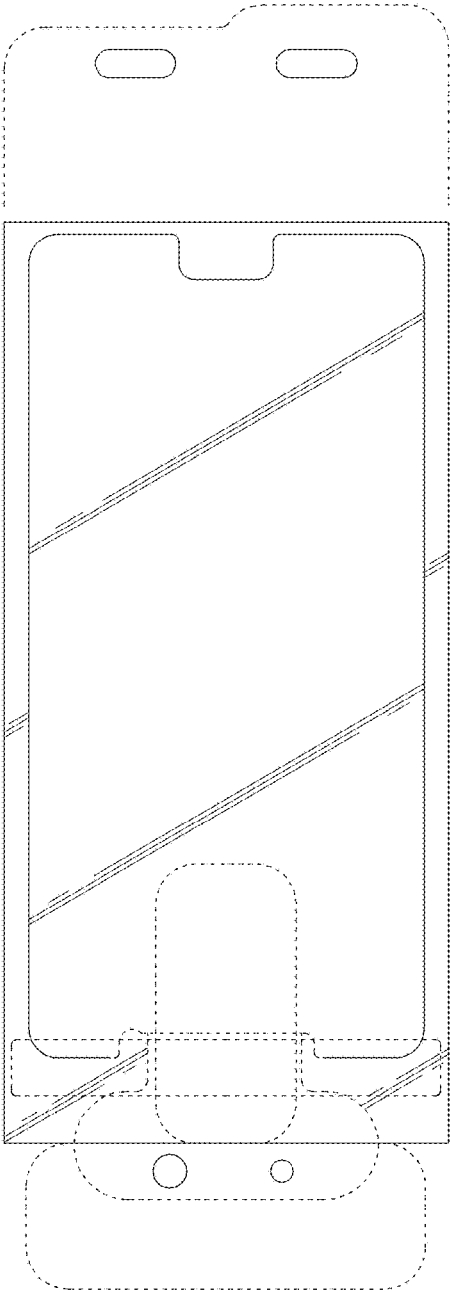


FIG. 3

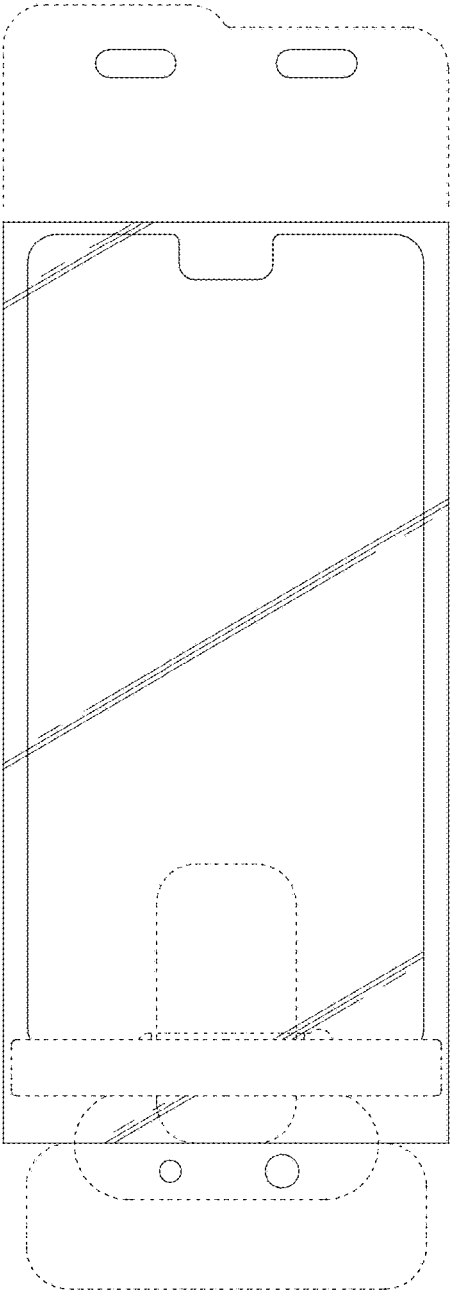


FIG. 4



FIG. 5

FIG. 7



FIG. 6

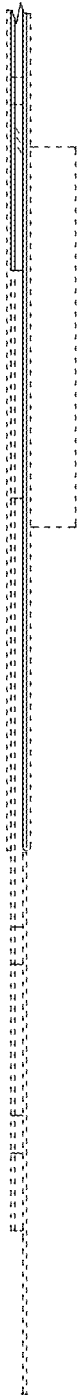


FIG. 7

FIG. 8

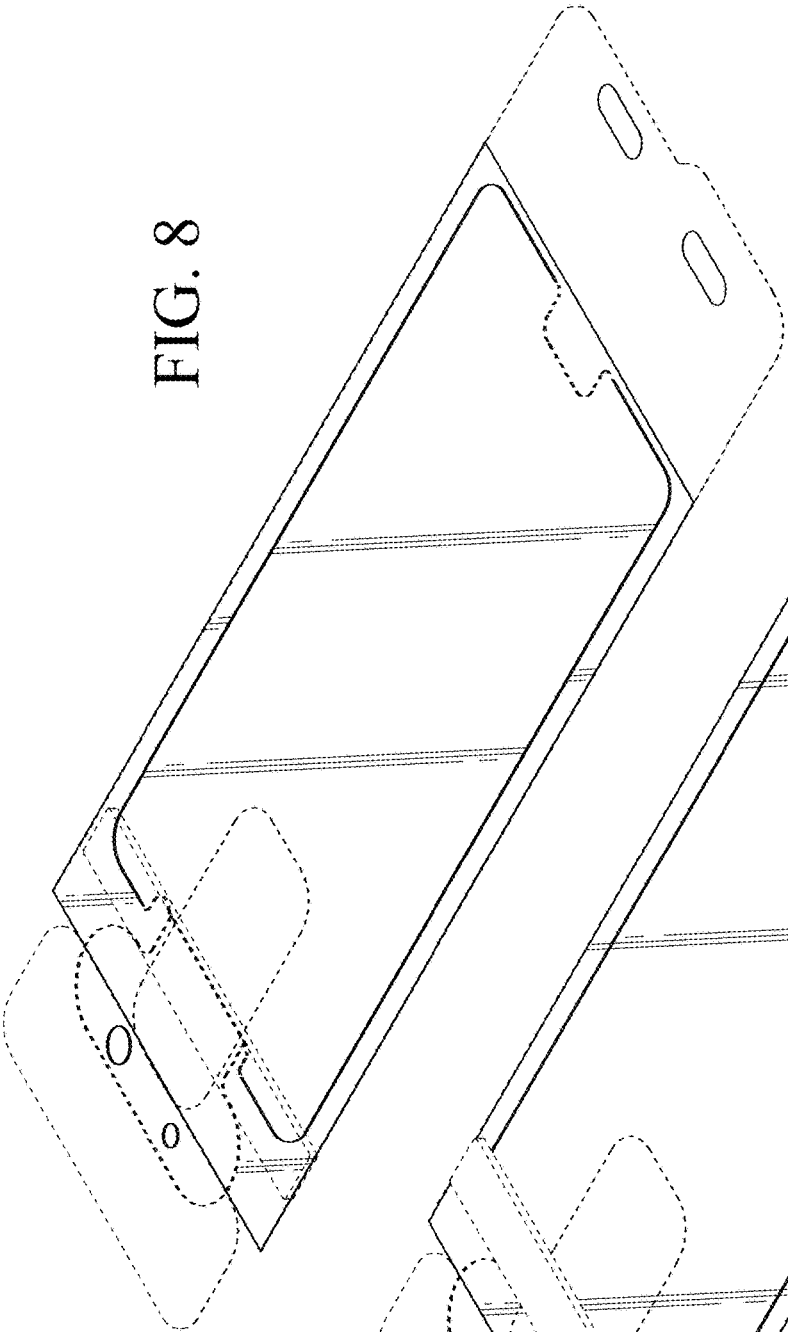
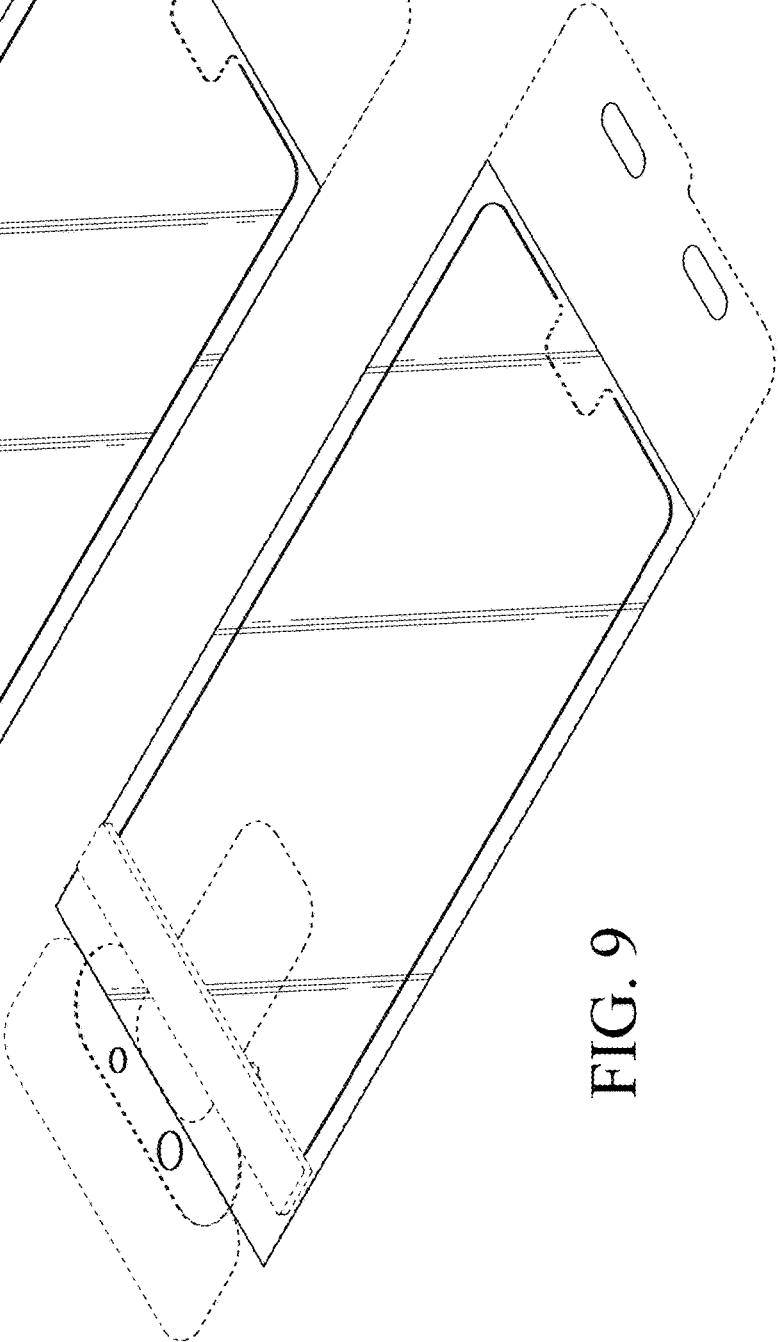


FIG. 9



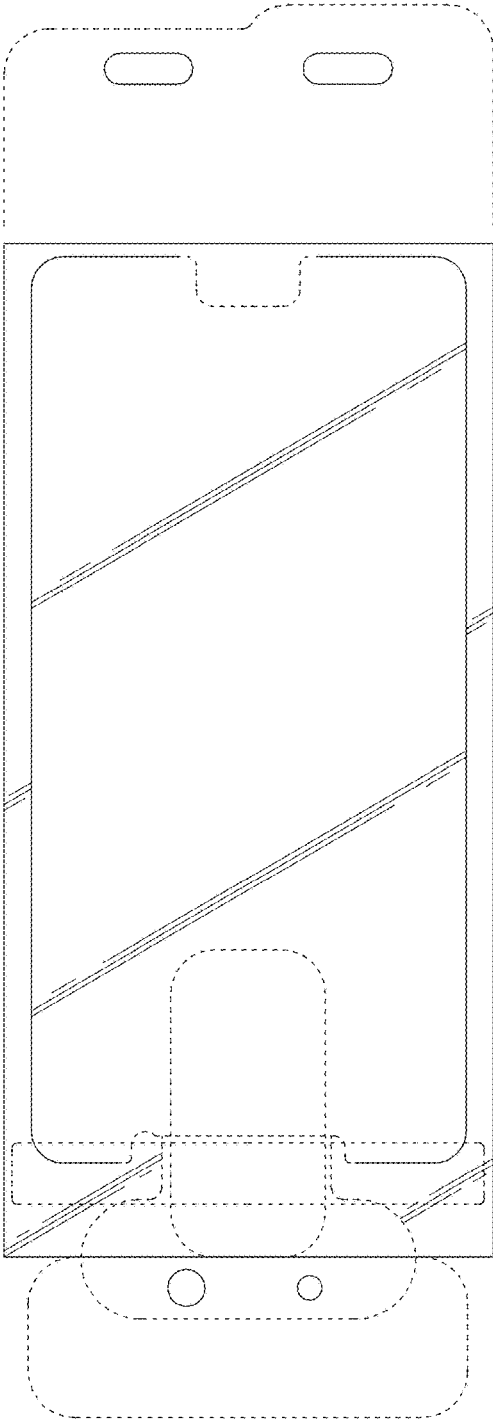


FIG. 10

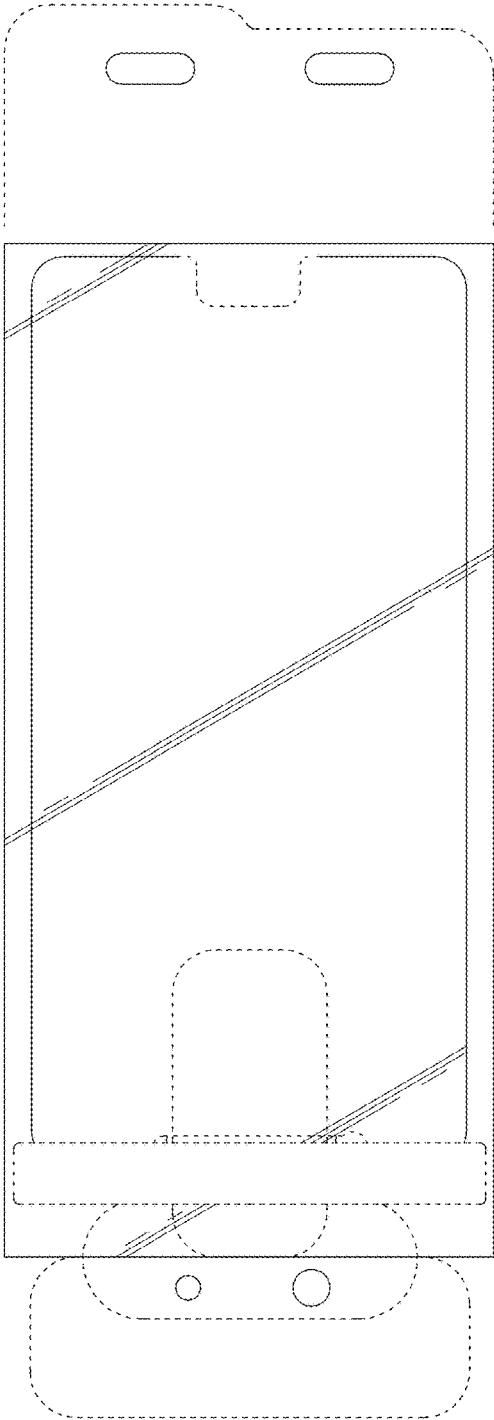


FIG. 11



