

(12) **United States Design Patent** (10) **Patent No.:** **US D800,036 S**
Bennett et al. (45) **Date of Patent:** **** *Oct. 17, 2017**

- (54) **FRONT BUMPER FOR A VEHICLE**
- (71) Applicant: **Omix-Ada, Inc.**, Suwanee, GA (US)
- (72) Inventors: **Patrick W. Bennett**, Gainesville, GA (US); **Alain M. Eboli, Jr.**, Suwanee, GA (US)
- (73) Assignee: **Omix-ADA, Inc.**, Suwanee, GA (US)
- (*) Notice: This patent is subject to a terminal disclaimer.
- (**) Term: **15 Years**
- (21) Appl. No.: **29/579,007**
- (22) Filed: **Sep. 27, 2016**

D137,040 S	1/1944	Cadwallader	
2,731,289 A	1/1956	Corydon, II	
D300,128 S *	3/1989	Brennan	D12/169
D375,067 S *	10/1996	Bronstein	D12/169
D454,817 S *	3/2002	McGuiness	D12/171
D462,640 S	9/2002	Sakae	
6,520,553 B2	2/2003	Muramatsu	
D473,167 S	4/2003	Shiono	
D473,168 S	4/2003	Hayashi	
D497,853 S	11/2004	Yanase	
D498,716 S	11/2004	Maeda et al.	
D503,133 S	3/2005	Pfeiffer et al.	

(Continued)

- Related U.S. Application Data**
- (62) Division of application No. 29/544,317, filed on Nov. 2, 2015, now Pat. No. Des. 776,582.
- (51) **LOC (10) Cl.** **12-08**
- (52) **U.S. Cl.**
 USPC **D12/169**
- (58) **Field of Classification Search**
 USPC D12/86-92, 163-172; 293/102-155;
 296/35.2, 193.09, 193.1, 203.02
 CPC B60R 19/02; B60R 19/023; B60R 19/18;
 B60R 19/24; B60R 19/44; B60R 19/48;
 B60R 19/56; B60R 2019/527; B60R
 2019/1886
 See application file for complete search history.

- (56) **References Cited**
 U.S. PATENT DOCUMENTS
- | | | |
|-------------|--------|----------|
| 1,531,022 A | 3/1925 | Pancoast |
| D100,599 S | 7/1936 | Fitness |
| D109,385 S | 4/1938 | Bade |
| D115,146 S | 1/1939 | Falcon |
| D116,071 S | 8/1939 | Walklet |
| D127,664 S | 6/1941 | Walker |

OTHER PUBLICATIONS

Olsewski, Steven. "SEMA 2015: Omix-Ada Brings Something New, Something Old to SEMA." offroadextreme.com. Nov. 10, 2015. Accessed Apr. 10, 2017. Available online at URL: <<http://www.offroadxtreme.com/features/sema-coverage/sema-2015-omix-ada-brings-something-new-something-old-to-sema/>>.*

Primary Examiner — Cathron Brooks
Assistant Examiner — Christian P McLean
 (74) *Attorney, Agent, or Firm* — Womble Carlyle Sandridge & Rice LLP

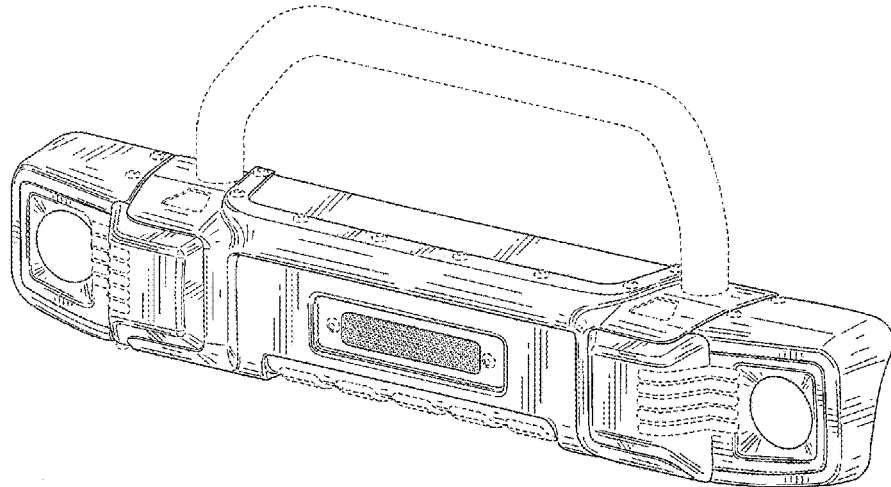
(57) **CLAIM**

The ornamental design for a front bumper for a vehicle, as shown and described.

DESCRIPTION

FIG. 1 is a perspective view of a front bumper for a vehicle showing our new design;
 FIG. 2 is a front elevation thereof;
 FIG. 3 is a rear elevation thereof;
 FIG. 4 is a top plan view thereof;
 FIG. 5 is a bottom plan view thereof;
 FIG. 6 is a right side elevation view thereof; and,
 FIG. 7 is a left side elevation view thereof.
 The broken lines illustrate portions of the front bumper for a vehicle that form no part of the claimed design.

1 Claim, 5 Drawing Sheets



(56)

References Cited

U.S. PATENT DOCUMENTS

D503,134 S	3/2005	Pfeiffer et al.		D668,594 S	10/2012	Davidson et al.
D508,441 S *	8/2005	Moushegian	D12/86	D670,623 S	11/2012	Koehl et al.
D513,213 S	12/2005	Sato		D678,139 S	3/2013	Aikawa et al.
D515,991 S	2/2006	Hanaoka		D679,226 S	4/2013	Schmeckpeper
D531,940 S *	11/2006	McCuller	D12/169	D682,169 S	5/2013	Choi
D534,105 S	12/2006	Schiavone et al.		D683,281 S *	5/2013	Harriton
D534,106 S	12/2006	Matei		D684,904 S	6/2013	Tase et al.
D535,594 S	1/2007	Schiavone et al.		D686,119 S	7/2013	Futschik et al.
D537,391 S	2/2007	Shimoguchi et al.		D690,630 S	10/2013	Kazama
D538,208 S	3/2007	Golden et al.		D693,279 S	11/2013	Dunkel
D540,723 S	4/2007	Schiavone et al.		D695,167 S	12/2013	Platto et al.
D541,709 S	5/2007	Lau et al.		D697,842 S *	1/2014	Harriton
D541,712 S	5/2007	Golden et al.		D732,443 S	6/2015	Won
D544,418 S	6/2007	Kono		D733,019 S	6/2015	Burki et al.
D556,649 S	12/2007	Beigel et al.		D734,689 S *	7/2015	Hashimoto
D565,466 S *	4/2008	Moushegian	D12/91	D737,181 S *	8/2015	Smith
D570,748 S	6/2008	Nakamura et al.		D744,384 S *	12/2015	Harriton
D600,602 S	9/2009	Endoh		D744,386 S *	12/2015	Harriton
D604,678 S	11/2009	Walter et al.		D744,387 S *	12/2015	Harriton
D647,013 S *	10/2011	Ito	D12/169	D744,389 S	12/2015	Kawasaki
D649,088 S *	11/2011	Hu	D12/87	D760,133 S *	6/2016	Bennett
D649,909 S *	12/2011	Mullen	D12/86	D775,013 S *	12/2016	Bennett
D664,485 S	7/2012	Xu et al.		D775,032 S *	12/2016	Palmer
				D776,582 S *	1/2017	Bennett
				D777,619 S *	1/2017	Barajas
				D782,935 S *	4/2017	Knox

* cited by examiner

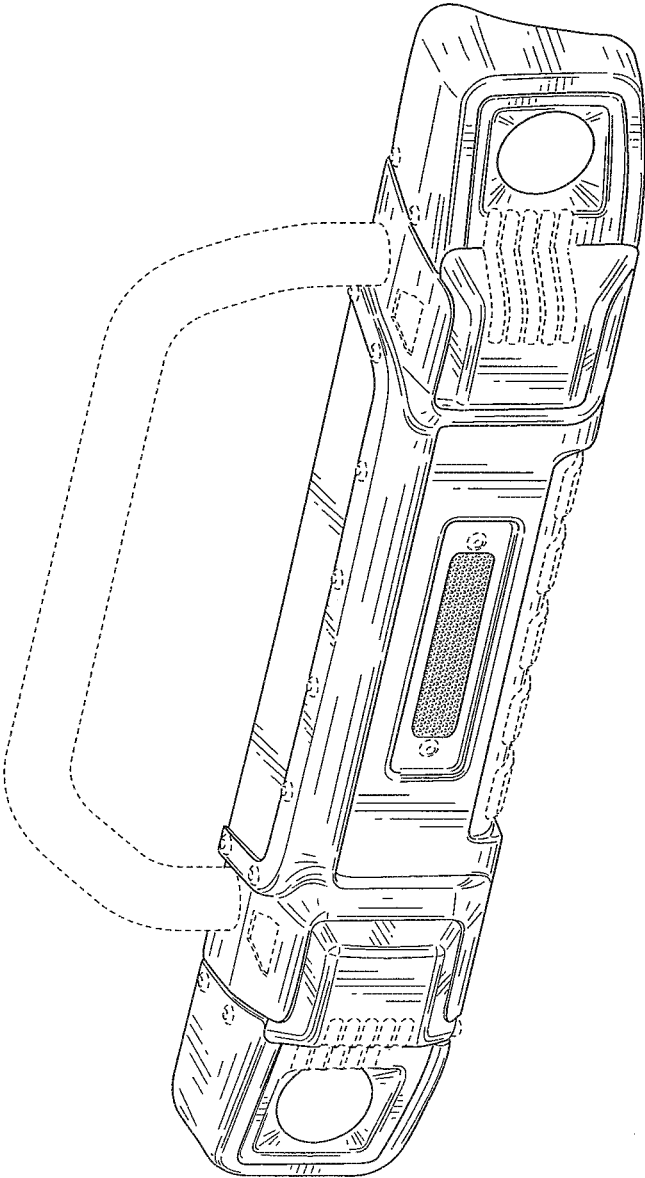


Fig. 1

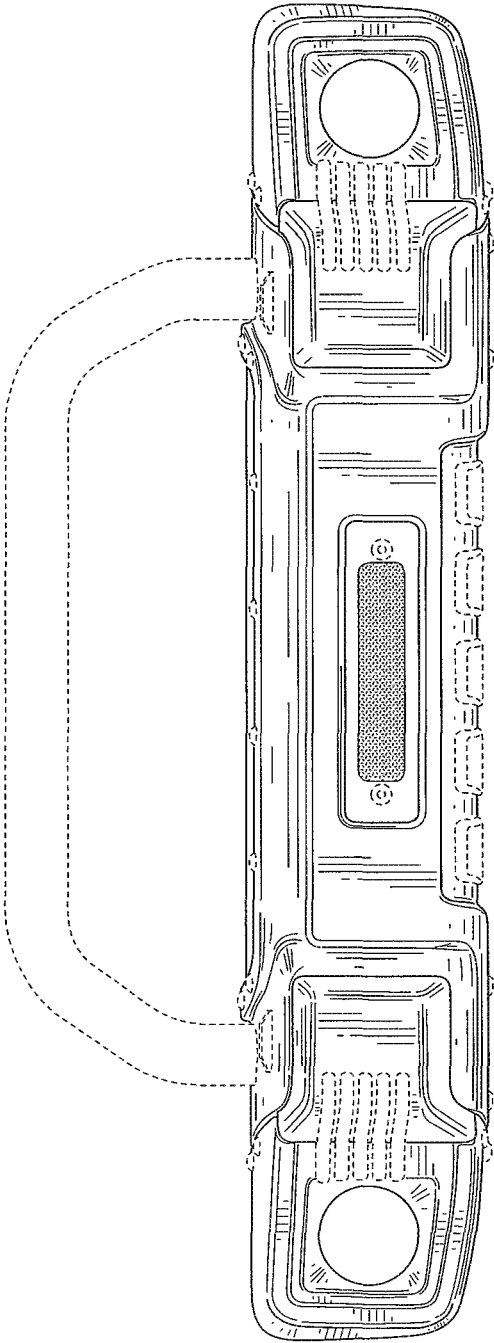


Fig. 2

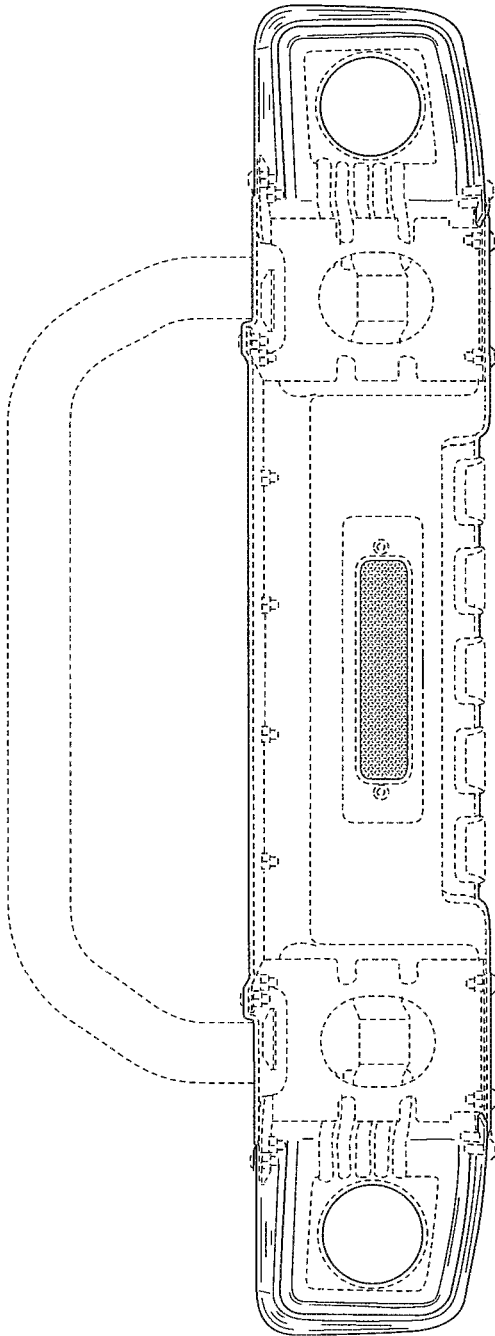


Fig. 3

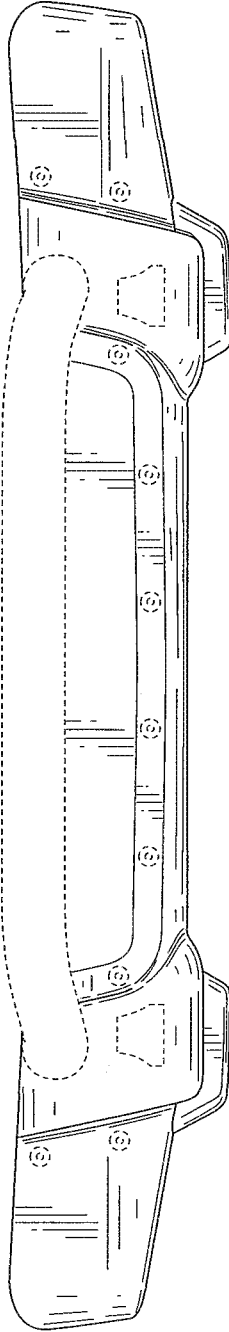


Fig. 4

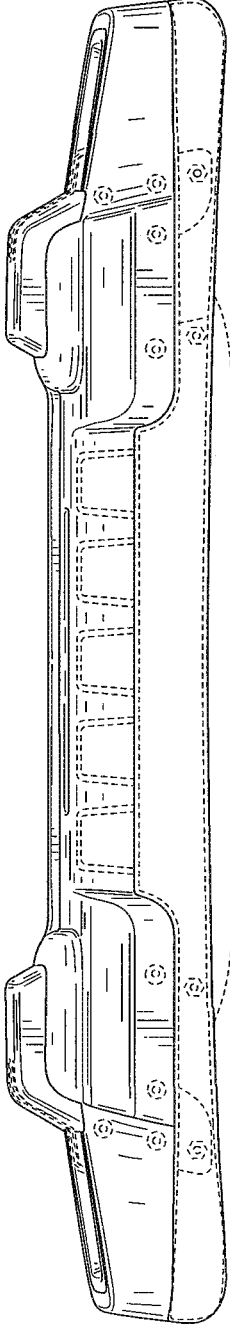


Fig. 5

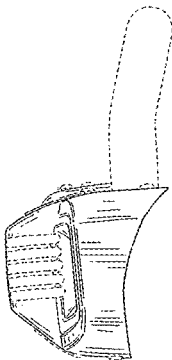


Fig. 6

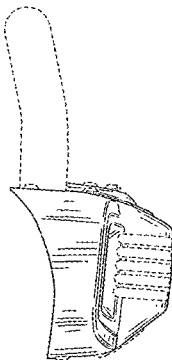


Fig. 7