



- (51) International Patent Classification:
F02C 7/18 (2006.01) *F02C 7/12* (2006.01)
- (21) International Application Number:
PCT/US2013/034045
- (22) International Filing Date:
27 March 2013 (27.03.2013)
- (25) Filing Language: English
- (26) Publication Language: English
- (30) Priority Data:
13/437,296 2 April 2012 (02.04.2012) US
- (71) Applicant: UNITED TECHNOLOGIES CORPORATION [US/US]; One Financial Plaza, Hartford, Connecticut 06101 (US).
- (72) Inventors: SUCIU, Gabriel L.; 27 Tanglewood Drive, Glastonbury, Connecticut 06033 (US). PICKFORD, Simon; 454 Hope Valley Road, Amston, Connecticut 06231 (US). ACKERMANN, William K.; 15 Butternut Dr., East Hartford, Connecticut 06118-1905 (US). SNAPE, Nathan; 520 Mile Hill Road, Tolland, Connecticut 06084 (US).
- (74) Agent: COON, Benjamin J .; c/o CPA Global, P.O. Box 52050, Minneapolis, Minnesota 55402 (US).
- (81) Designated States (unless otherwise indicated, for every kind of national protection available): AE, AG, AL, AM, AO, AT, AU, AZ, BA, BB, BG, BH, BN, BR, BW, BY,

BZ, CA, CH, CL, CN, CO, CR, CU, CZ, DE, DK, DM, DO, DZ, EC, EE, EG, ES, FI, GB, GD, GE, GH, GM, GT, HN, HR, HU, ID, IL, IN, IS, JP, KE, KG, KM, KN, KP, KR, KZ, LA, LC, LK, LR, LS, LT, LU, LY, MA, MD, ME, MG, MK, MN, MW, MX, MY, MZ, NA, NG, NI, NO, NZ, OM, PA, PE, PG, PH, PL, PT, QA, RO, RS, RU, RW, SC, SD, SE, SG, SK, SL, SM, ST, SV, SY, TH, TJ, TM, TN, TR, TT, TZ, UA, UG, US, UZ, VC, VN, ZA, ZM, ZW.

- (84) Designated States (unless otherwise indicated, for every kind of regional protection available): ARIPO (BW, GH, GM, KE, LR, LS, MW, MZ, NA, RW, SD, SL, SZ, TZ, UG, ZM, ZW), Eurasian (AM, AZ, BY, KG, KZ, RU, TJ, TM), European (AL, AT, BE, BG, CH, CY, CZ, DE, DK, EE, ES, FI, FR, GB, GR, HR, HU, IE, IS, IT, LT, LU, LV, MC, MK, MT, NL, NO, PL, PT, RO, RS, SE, SI, SK, SM, TR), OAPI (BF, BJ, CF, CG, CI, CM, GA, GN, GQ, GW, ML, MR, NE, SN, TD, TG).

Published:

- with international search report (Art. 21(3))
- before the expiration of the time limit for amending the claims and to be republished in the event of receipt of amendments (Rule 48.2(h))

- (88) Date of publication of the international search report:
13 March 2014

(54) Title: TURBOMACHINE THERMAL MANAGEMENT

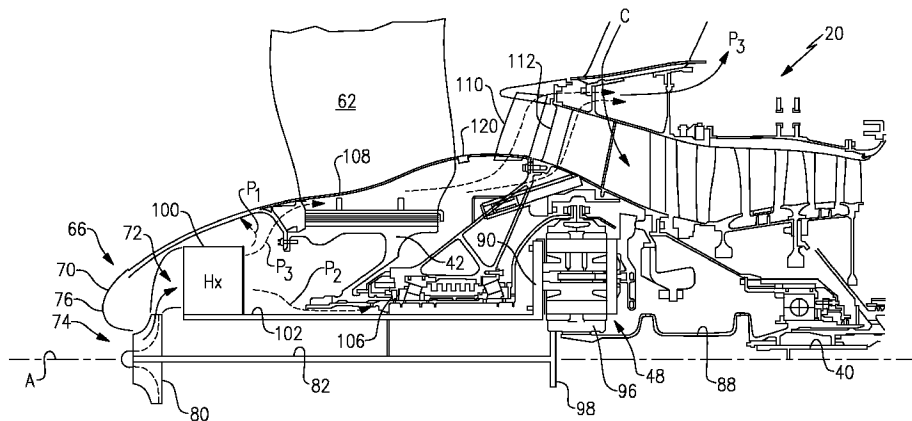


FIG. 2

(57) Abstract: An example turbomachine assembly includes, among other things, a nose cone of a turbomachine, and a pump at least partially within an interior of the nose cone. The pump is selectively rotated by a motor to communicate air to the interior.

WO 2014/007886 A3

A. CLASSIFICATION OF SUBJECT MATTER**F02C 7/18(2006.01)i, F02C 7/12(2006.01)i**

According to International Patent Classification (IPC) or to both national classification and IPC

B. FIELDS SEARCHED

Minimum documentation searched (classification system followed by classification symbols)

F02C 7/18; F01D 25/00; B64C 11/14; B23P 11/00; F03D 11/00; F02C 7/00; B21K 25/00; F01D 5/02; F02C 7/12

Documentation searched other than minimum documentation to the extent that such documents are included in the fields searched

Korean utility models and applications for utility models

Japanese utility models and applications for utility models

Electronic data base consulted during the international search (name of data base and, where practicable, search terms used)

eKOMPASS(KIPO internal) & Keywords: nose, cone, spinner, aperture, hole, opening, air, steam, gas, vapor, pump, and impeller

C. DOCUMENTS CONSIDERED TO BE RELEVANT

Category*	Citation of document, with indication, where appropriate, of the relevant passages	Relevant to claim No.
A	US 2009-0060748 A1 (LANDA et al.) 5 March 2009 See abstract, paragraphs [0020],[0030], claim 4, and figure 2.	1-20
A	US 2010-0226786 A1 (MAHAN, VANCE A.) 9 September 2010 See abstract, claim 1, and figure 2.	1-20
A	US 7306432 B2 (ROCKARTS et al.) 11 December 2007 See abstract, claims 1,14, and figure 1.	1-20
A	US 3901627 A (SULLIVAN, MATTEW A.) 26 August 1975 See abstract, claim 1, and figure 1.	1-20
A	US 2010-0215507 A1 (BREAKWELL, IAN S.) 26 August 2010 See abstract, claim 1, and figure 1.	1-20

 Further documents are listed in the continuation of Box C. See patent family annex.

* Special categories of cited documents:

"A" document defining the general state of the art which is not considered to be of particular relevance

"E" earlier application or patent but published on or after the international filing date

"L" document which may throw doubts on priority claim(s) or which is cited to establish the publication date of another citation or other special reason (as specified)

"O" document referring to an oral disclosure, use, exhibition or other means

"P" document published prior to the international filing date but later than the priority date claimed

"T" later document published after the international filing date or priority date and not in conflict with the application but cited to understand the principle or theory underlying the invention

"X" document of particular relevance; the claimed invention cannot be considered novel or cannot be considered to involve an inventive step when the document is taken alone

"Y" document of particular relevance; the claimed invention cannot be considered to involve an inventive step when the document is combined with one or more other such documents, such combination being obvious to a person skilled in the art

"&" document member of the same patent family

Date of the actual completion of the international search

17 January 2014 (17.01.2014)

Date of mailing of the international search report

20 January 2014 (20.01.2014)

Name and mailing address of the ISA/KR

Korean Intellectual Property Office
189 Cheongsa-ro, Seo-gu, Daejeon Metropolitan City,
302-701, Republic of Korea

Facsimile No. +82-42-472-7140

Authorized officer

KIM, Jin Ho

Telephone No. +82-42-481-8699



INTERNATIONAL SEARCH REPORT

Information on patent family members

International application No.

PCT/US2013/034045

Patent document cited in search report	Publication date	Patent family member(s)	Publication date
US 2009-0060748 A1	05/03/2009	CN 101493070 A CN 101493070 B EP 2034181 A2 EP 2034181 A3 US 8186940 B2	29/07/2009 19/12/2012 11/03/2009 24/10/2012 29/05/2012
US 2010-0226786 A1	09/09/2010	None	
US 7306432 B2	11/12/2007	CA 2562710 A1 EP 1740919 A1 EP 1740919 A4 EP 1740919 B1 JP 2007-532891 A US 2005-0231052 A1 US 2006-0188379 A1 US 7303377 B2 WO 2005-100941 A1	27/10/2005 10/01/2007 16/06/2010 02/10/2013 15/11/2007 20/10/2005 24/08/2006 04/12/2007 27/10/2005
US 3901627 A	26/08/1975	None	
US 2010-0215507 A1	26/08/2010	EP 2221247 A2 GB 0903012 D0 US 8425197 B2	25/08/2010 08/04/2009 23/04/2013