

(19) World Intellectual Property Organization  
International Bureau



(43) International Publication Date  
28 February 2002 (28.02.2002)

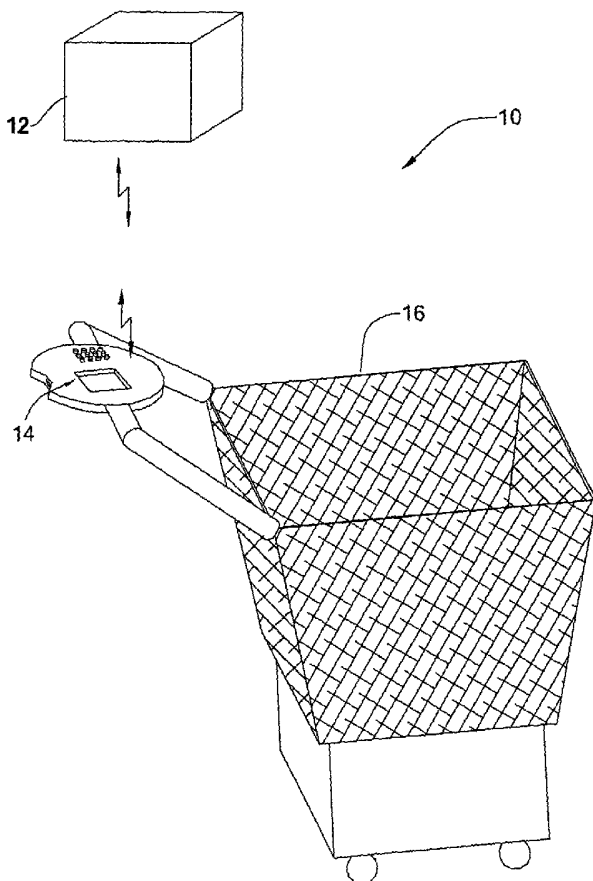
PCT

(10) International Publication Number  
WO 02/017261 A3

- (51) International Patent Classification<sup>7</sup>: G07F 7/02, (72) Inventor; and  
G07G 1/00, G08B 13/24 (75) Inventor/Applicant (for US only): GANTZ, Ruth  
[IL/IL]; Bartenora Street 19, 62282 Tel Aviv (IL).
- (21) International Application Number: PCT/IL01/00788 (74) Agent: REINHOLD COHN AND PARTNERS; P.O.  
Box 4060, 61040 Tel Aviv (IL).
- (22) International Filing Date: 23 August 2001 (23.08.2001) (81) Designated States (national): AE, AG, AL, AM, AT, AU,  
AZ, BA, BB, BG, BR, BY, BZ, CA, CH, CN, CO, CR, CU,  
CZ, DE, DK, DM, DZ, EC, EE, ES, FI, GB, GD, GE, GH,  
GM, HR, HU, ID, IL, IN, IS, JP, KE, KG, KP, KR, KZ, LC,  
LK, LR, LS, LT, LU, LV, MA, MD, MG, MK, MN, MW,  
MX, MZ, NO, NZ, PH, PL, PT, RO, RU, SD, SE, SG, SI,  
SK, SL, TJ, TM, TR, TT, TZ, UA, UG, US, UZ, VN, YU,  
ZA, ZW.
- (25) Filing Language: English (84) Designated States (regional): ARIPO patent (GH, GM,  
KE, LS, MW, MZ, SD, SL, SZ, TZ, UG, ZW), Eurasian  
patent (AM, AZ, BY, KG, KZ, MD, RU, TJ, TM), European
- (26) Publication Language: English
- (30) Priority Data:  
138054 24 August 2000 (24.08.2000) IL  
143336 23 May 2001 (23.05.2001) IL
- (71) Applicant (for all designated States except US): BUY-PASS SYSTEMS (1999) LTD. [IL/IL]; Moldavsky House,  
5th Floor, Kurazin Street 1, 53583 Givataim (IL).

[Continued on next page]

(54) Title: A METHOD AND SYSTEM FOR PURCHASING ITEMS



(57) Abstract: A customer station for use in an items' purchasing system in a supermarket or other retail store is presented. The customer station comprises an identification assembly, a control unit, a data presentation unit for presenting to the customer information related to selected items, and a deactivator. The identification assembly is operable to identify a nature of an item of customer's interest, and generate data indicative of information related to the item of interest to be presented to the customer. The control unit has a processing means responsive to the generated data indicative of the information related to the item to generate data indicative of the entire sum to be paid by the customer which is to be presented to the customer. The deactivator is operable to deactivate a security tag attached to the item. The entire customer station or at least the identification assembly and the data presentation unit are incorporated in a unit mountable on a supermarket trolley.



WO 02/017261 A3



patent (AT, BE, CH, CY, DE, DK, ES, FI, FR, GB, GR, IE, IT, LU, MC, NL, PT, SE, TR), OAPI patent (BF, BJ, CF, CG, CI, CM, GA, GN, GQ, GW, ML, MR, NE, SN, TD, TG).

**(88) Date of publication of the international search report:**  
23 January 2003

**Published:**

— with international search report

*For two-letter codes and other abbreviations, refer to the "Guidance Notes on Codes and Abbreviations" appearing at the beginning of each regular issue of the PCT Gazette.*

INTERNATIONAL SEARCH REPORT

International Application No  
PCT/IL 01/00788

**A. CLASSIFICATION OF SUBJECT MATTER**  
IPC 7 G07F7/02 G07G1/00 G08B13/24

According to International Patent Classification (IPC) or to both national classification and IPC

**B. FIELDS SEARCHED**  
Minimum documentation searched (classification system followed by classification symbols)  
IPC 7 G08B G07F G07G

Documentation searched other than minimum documentation to the extent that such documents are included in the fields searched

Electronic data base consulted during the international search (name of data base and, where practical, search terms used)  
EPO-Internal, WPI Data, PAJ

**C. DOCUMENTS CONSIDERED TO BE RELEVANT**

Category °	Citation of document, with indication, where appropriate, of the relevant passages	Relevant to claim No.
X	EP 0 856 812 A (SYMBOL TECHNOLOGIES INC) 5 August 1998 (1998-08-05)  column 6, line 26 - line 50 column 7, line 27 - line 33; figure 3	1-5, 8-14, 17-19,22
Y	---	6,7,15, 16,21
Y	WO 89 02628 A (INFORMATION RESOURCES INC ;MALEC JOHN (US)) 23 March 1989 (1989-03-23) page 8, line 11 - line 26 page 14, line 12 -page 15, line 26; figure 4  ---	6,7
	-/--	

Further documents are listed in the continuation of box C.  Patent family members are listed in annex.

° Special categories of cited documents :

*A* document defining the general state of the art which is not considered to be of particular relevance	*T* later document published after the international filing date or priority date and not in conflict with the application but cited to understand the principle or theory underlying the invention
*E* earlier document but published on or after the international filing date	*X* document of particular relevance; the claimed invention cannot be considered novel or cannot be considered to involve an inventive step when the document is taken alone
*L* document which may throw doubts on priority claim(s) or which is cited to establish the publication date of another citation or other special reason (as specified)	*Y* document of particular relevance; the claimed invention cannot be considered to involve an inventive step when the document is combined with one or more other such documents, such combination being obvious to a person skilled in the art.
*O* document referring to an oral disclosure, use, exhibition or other means	*&* document member of the same patent family
*P* document published prior to the international filing date but later than the priority date claimed	

Date of the actual completion of the international search  2 October 2002	Date of mailing of the international search report  09/10/2002
---	--

Name and mailing address of the ISA European Patent Office, P.B. 5818 Patentlaan 2 NL - 2280 HV Rijswijk Tel. (+31-70) 340-2040, Tx. 31 651 epo nl, Fax: (+31-70) 340-3016	Authorized officer  Schofield, C
--	--

## INTERNATIONAL SEARCH REPORT

International Application No

PCT/IL 01/00788

C.(Continuation) DOCUMENTS CONSIDERED TO BE RELEVANT		
Category °	Citation of document, with indication, where appropriate, of the relevant passages	Relevant to claim No.
X	EP 0 533 139 A (KNOGO CORP) 24 March 1993 (1993-03-24)	20
Y	column 2, line 14 - line 42 column 3, line 38 -column 4, line 6 column 5, line 45 -column 6, line 20 column 9, line 40 -column 10, line 26; figure 11	15,16,21
X	----- US 5 424 524 A (RUPPERT JONATHAN P ET AL) 13 June 1995 (1995-06-13) cited in the application column 12, line 20 - line 56 column 16, line 12 - line 30 figures 3,15	1-5, 8-13,15, 17,18,22
X	----- US 4 575 624 A (KLINKHARDT ERHARD) 11 March 1986 (1986-03-11)  column 1, line 59 -column 2, line 54	1-5, 8-17, 20-22
X	----- US 5 594 228 A (SWARTZ JEROME ET AL) 14 January 1997 (1997-01-14)  column 2, line 41 - line 62 column 17, line 4 - line 11 column 17, line 61 -column 18, line 3	1-5, 8-13, 15-18,22
X	----- US 4 141 078 A (BRIDGES JR LOUIS E ET AL) 20 February 1979 (1979-02-20) figures 1,5 column 1, line 40 -column 2, line 28 column 4, line 49 -column 6, line 13 -----	1-5,17, 20-22

## INTERNATIONAL SEARCH REPORT

International Application No

PCT/IL 01/00788

Patent document cited in search report		Publication date	Patent family member(s)	Publication date
EP 0856812	A	05-08-1998	US 6084528 A	04-07-2000
			EP 0856812 A2	05-08-1998
			US 6330244 B1	11-12-2001
			US 2002050526 A1	02-05-2002
			US 2002034168 A1	21-03-2002
WO 8902628	A	23-03-1989	US 4973952 A	27-11-1990
			AT 136378 T	15-04-1996
			AU 636809 B2	06-05-1993
			AU 1098492 A	14-05-1992
			AU 635169 B2	11-03-1993
			AU 1098592 A	07-05-1992
			AU 633457 B2	28-01-1993
			AU 1098692 A	07-05-1992
			AU 616917 B2	14-11-1991
			AU 2521588 A	17-04-1989
			BR 8807216 A	17-10-1989
			CA 1300235 A1	05-05-1992
			CA 1322577 A2	28-09-1993
			CA 1330367 A1	21-06-1994
			DE 3855178 D1	09-05-1996
			DE 3855178 T2	28-11-1996
			DK 246089 A	19-05-1989
			EP 0335931 A1	11-10-1989
			FI 892436 A	19-05-1989
			JP 2501237 T	26-04-1990
			JP 2743340 B2	22-04-1998
			NO 891991 A	20-07-1989
			US 5287266 A	15-02-1994
			WO 8902628 A1	23-03-1989
			US 5295064 A	15-03-1994
EP 0533139	A	24-03-1993	US 5225807 A	06-07-1993
			AU 648686 B2	28-04-1994
			AU 2123492 A	29-04-1993
			BR 9203591 A	13-04-1993
			CA 2078052 A1	17-03-1993
			EP 0533139 A1	24-03-1993
			JP 2818716 B2	30-10-1998
			JP 5294407 A	09-11-1993
			KR 9603584 B1	20-03-1996
US 5424524	A	13-06-1995	WO 9639674 A1	12-12-1996
US 4575624	A	11-03-1986	DE 3244431 A1	07-06-1984
			DE 3370088 D1	09-04-1987
			EP 0112493 A1	04-07-1984
			ES 527522 D0	01-09-1984
			ES 8407227 A1	16-11-1984
US 5594228	A	14-01-1997	CN 1083608 A ,B	09-03-1994
			JP 6208640 A	26-07-1994
			US 5979758 A	09-11-1999
			US 6102290 A	15-08-2000
			US 5814799 A	29-09-1998
			US 5117098 A	26-05-1992
			CA 1331056 A1	26-07-1994
			DE 68912450 D1	03-03-1994

INTERNATIONAL SEARCH REPORT

International Application No  
PCT/IL 01/00788

Patent document cited in search report	Publication date	Patent family member(s)	Publication date
US 5594228	A	EP 0355355 A2 JP 2003565 C JP 2112083 A JP 7040285 B	28-02-1990 20-12-1995 24-04-1990 01-05-1995
US 4141078	A	20-02-1979	NONE