



US00D669367S

(12) **United States Design Patent**
McDermott et al.

(10) **Patent No.:** **US D669,367 S**

(45) **Date of Patent:** **** Oct. 23, 2012**

(54) **CONDIMENT CONTAINER**

(75) Inventors: **Dave McDermott**, Warrington (GB);
Luc Vets, Lille (BE)

(73) Assignee: **H.J. Heinz Company**, Pittsburgh, PA
(US)

(**) Term: **14 Years**

(21) Appl. No.: **29/406,289**

(22) Filed: **Nov. 11, 2011**

(51) **LOC (9) Cl.** **09-05**

(52) **U.S. Cl.** **D9/707**

(58) **Field of Classification Search** D9/702-714,
D9/761, 731, 414, 418, 430-432, 520-521,
D9/438, 695-699, 416, 732, 701; D7/590,
D7/600.1; 215/328; 222/92, 105, 215, 145.1,
222/95, 183, 107; 383/9, 22, 59-60, 901,
383/207, 209; D24/118, 207, 108, 104; 128/114.1,
128/DIG. 24

See application file for complete search history.

(56) **References Cited**

U.S. PATENT DOCUMENTS

2,705,579 A	4/1955	Mason
2,898,003 A	8/1959	Wilson et al.
3,315,801 A	4/1967	Lowry
3,370,757 A	2/1968	Foster
3,407,969 A	10/1968	Klein et al.
3,453,661 A	7/1969	Repko
3,660,960 A	5/1972	Inman
3,722,754 A	3/1973	Struble
3,873,735 A	3/1975	Chalin et al.
4,090,660 A	5/1978	Schram et al.
4,301,926 A	11/1981	Chung
4,463,869 A	8/1984	Lewis
4,566,613 A	1/1986	Anscomb
4,648,506 A	3/1987	Campbell

4,673,085 A	6/1987	Badouard et al.
4,717,046 A	1/1988	Brogli
4,762,124 A	8/1988	Kerch et al.
4,765,463 A	8/1988	Chanel
4,863,036 A	9/1989	Heijenga
4,871,091 A	10/1989	Preziosi
4,872,597 A	10/1989	Hanafusa
4,921,137 A	5/1990	Heijenga
4,963,045 A	10/1990	Willcox
4,989,419 A	2/1991	Brando et al.
D317,690 S	6/1991	Thomsen
D318,795 S	8/1991	Christine

(Continued)

FOREIGN PATENT DOCUMENTS

FR 2801570 6/2001

(Continued)

Primary Examiner — Caron D Veynar

Assistant Examiner — Abraham Bahta

(74) *Attorney, Agent, or Firm* — Daune Morris LLP

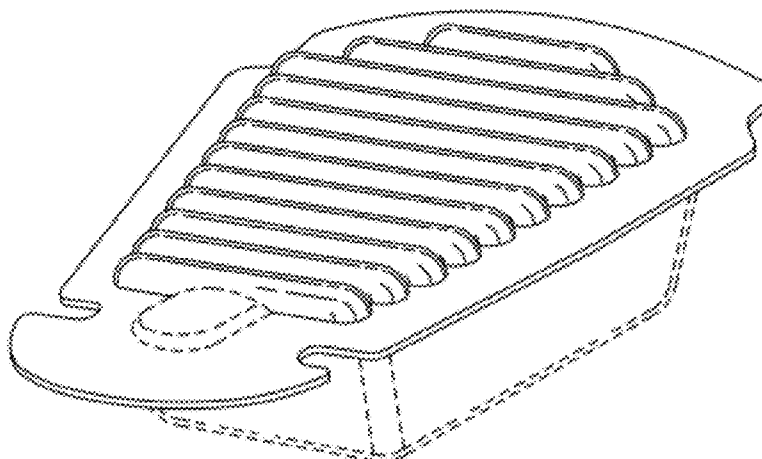
(57) **CLAIM**

The ornamental design for a condiment container, as shown and described.

DESCRIPTION

FIG. 1 is a perspective view of the condiment container; FIG. 2 is a top view of the condiment container; FIG. 3 a bottom view of the condiment container; FIG. 4 is a front view of the condiment container, the left-side view being a mirror image thereof; FIG. 5 is a rear view of the condiment container; and FIG. 6 is a right-side view of the condiment container; and, FIG. 7 is a left-side view of the condiment container. The broken line showing of structure is for illustrative purposes only, and forms no part of the claimed design.

1 Claim, 3 Drawing Sheets



US D669,367 S

U.S. PATENT DOCUMENTS

5,038,974 A 8/1991 DaCosta
 5,111,932 A 5/1992 Campbell
 5,141,136 A 8/1992 Tignor
 5,156,329 A 10/1992 Farrell
 D336,034 S 6/1993 Rebilas
 5,235,149 A 8/1993 Boehrer
 5,277,920 A 1/1994 Weaver, Jr.
 D351,228 S 10/1994 Weiler et al.
 D354,906 S 1/1995 Lane, Jr. et al.
 5,411,178 A 5/1995 Roders et al.
 D362,595 S 9/1995 Schneider
 5,482,172 A 1/1996 Braddock
 5,529,224 A 6/1996 Chan et al.
 5,546,728 A 8/1996 Dekeyser
 5,613,517 A 3/1997 Handler
 5,662,245 A 9/1997 Grant
 5,706,961 A 1/1998 Morano
 5,799,838 A 9/1998 Miller
 5,806,726 A 9/1998 Ho
 5,839,609 A 11/1998 Zakensberg
 D416,477 S 11/1999 Flint
 5,996,845 A 12/1999 Chan
 6,007,264 A 12/1999 Koptis
 6,051,263 A 4/2000 Gorlich et al.
 6,062,413 A 5/2000 Redmond
 6,085,942 A 7/2000 Redmond
 6,089,375 A 7/2000 Johnson et al.
 D435,440 S 12/2000 Croft et al.
 6,220,311 B1 4/2001 Litto
 D442,078 S 5/2001 Fuquen
 D448,661 S 10/2001 Kerr et al.
 6,357,631 B1 3/2002 Zaksenberg
 6,419,118 B1 7/2002 Rees et al.
 6,435,374 B1 8/2002 Tabaroni
 6,460,781 B1 10/2002 Garcia et al.
 6,557,731 B1 5/2003 Lyon et al.
 6,601,737 B1 8/2003 Sandler
 6,648,140 B2 11/2003 Petricca
 6,663,019 B2 12/2003 Garcia et al.
 D484,972 S 1/2004 Steele, IV et al.
 6,702,462 B2 3/2004 Richardson

6,811,057 B2 11/2004 Duquet et al.
 6,854,888 B1 2/2005 Brown et al.
 6,863,178 B2 3/2005 Sokolsky et al.
 D505,861 S 6/2005 Risgalla
 6,955,028 B1 10/2005 Dunaway
 D512,648 S 12/2005 Smith et al.
 7,004,322 B1 2/2006 Bartoli
 D523,758 S 6/2006 Risgalla
 D537,341 S 2/2007 Liebe et al.
 RE39,520 E 3/2007 Hess, III et al.
 D553,007 S 10/2007 Goodwin et al.
 D555,011 S 11/2007 Spanjaard
 D580,782 S 11/2008 Murray
 7,506,762 B2 3/2009 Nelson et al.
 D598,299 S 8/2009 Isogai et al.
 D604,637 S 11/2009 Ueda
 D621,719 S * 8/2010 Caldwell et al. D9/707
 D628,903 S * 12/2010 Caldwell et al. D9/711
 D632,565 S * 2/2011 Caldwell et al. D9/435
 D632,566 S * 2/2011 Caldwell et al. D9/435
 D632,567 S * 2/2011 Caldwell et al. D9/435
 D632,570 S * 2/2011 Caldwell et al. D9/435
 D634,643 S * 3/2011 Caldwell et al. D9/707
 D641,642 S * 7/2011 Caldwell et al. D9/707
 2001/0045374 A1 11/2001 Selker
 2002/0100760 A1 8/2002 Rinks
 2002/0148855 A1 10/2002 Sokolsky et al.
 2003/0015605 A1 1/2003 Garcia et al.
 2003/0183637 A1 10/2003 Zappa et al.
 2006/0278562 A1 12/2006 Van Puijenbroek
 2007/0034647 A1 2/2007 Patrick
 2007/0164045 A1 7/2007 Wydler et al.
 2007/0228073 A1 10/2007 Mazzarino
 2010/0008602 A1 1/2010 Risgalla

FOREIGN PATENT DOCUMENTS

WO WO9728054 8/1997
 WO WO02070352 9/2002
 WO WO2004063048 7/2004
 WO WO2007126817 11/2007

* cited by examiner

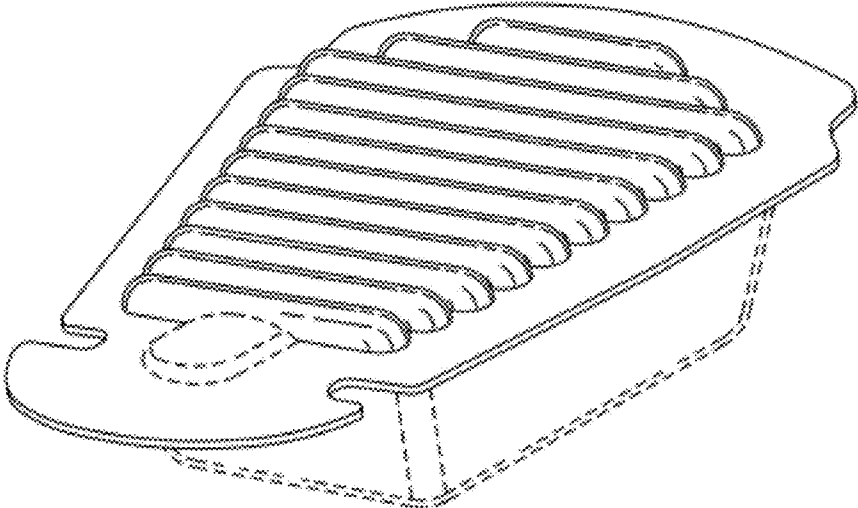


FIG. 1

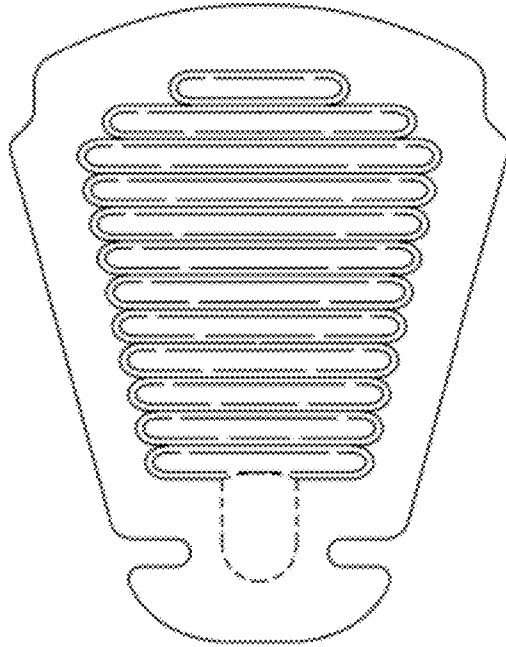


FIG. 2

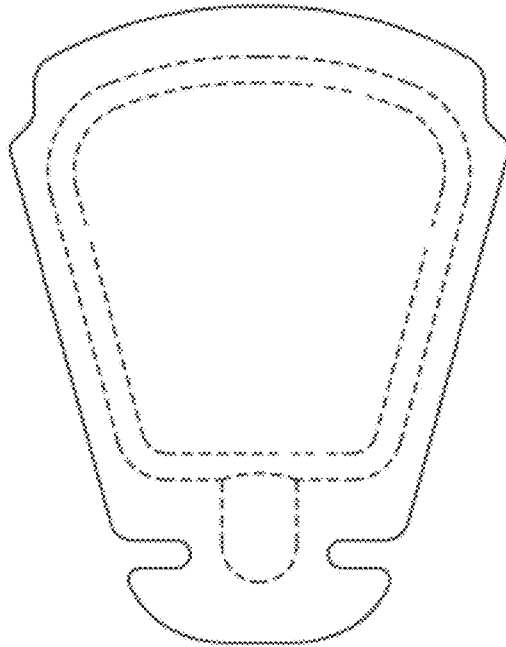


FIG. 3

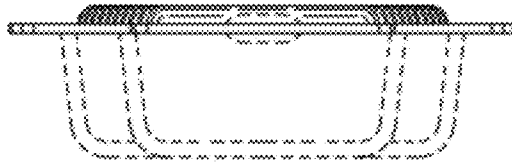


FIG. 4

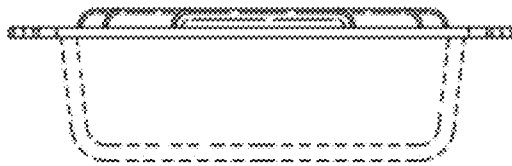


FIG. 5

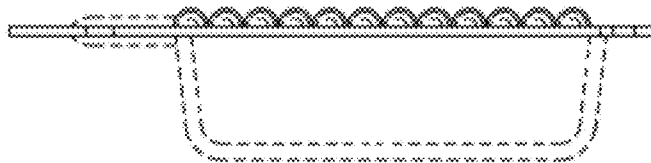


FIG. 6

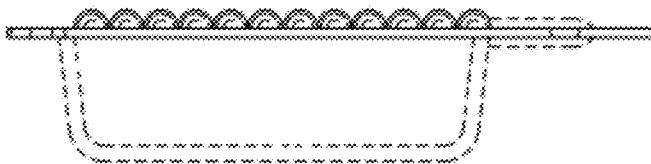


FIG. 7