



(12) **United States Design Patent**
Wang

(10) **Patent No.:** **US D905,511 S**
(45) **Date of Patent:** **** Dec. 22, 2020**

- (54) **BARBECUE CLAW**
- (71) Applicant: **SHENZHEN ZHIYUAN TECH CO., LTD.**, Shenzhen (CN)
- (72) Inventor: **Xilong Wang**, Shenzhen (CN)
- (73) Assignee: **SHENZHEN ZHIYUAN TECH CO., LTD.**, Shenzhen (CN)
- (**) Term: **15 Years**
- (21) Appl. No.: **29/690,893**

D663,171 S * 7/2012 Borovicka D7/683
 D712,708 S * 9/2014 High D7/683

* cited by examiner

Primary Examiner — Terry A Wallace
 (74) *Attorney, Agent, or Firm* — Law Offices of Steven W. Weinrieb

- (22) Filed: **May 13, 2019**
- (51) **LOC (12) Cl.** **07-06**
- (52) **U.S. Cl.**
USPC **D7/683**
- (58) **Field of Classification Search**
USPC D7/680–696, 393, 394, 669, 368;
D8/300, 105, 107
CPC A47J 43/18; A47J 43/28; A22C 9/008;
A22C 9/001; A22C 9/00; A22C 9/007
See application file for complete search history.

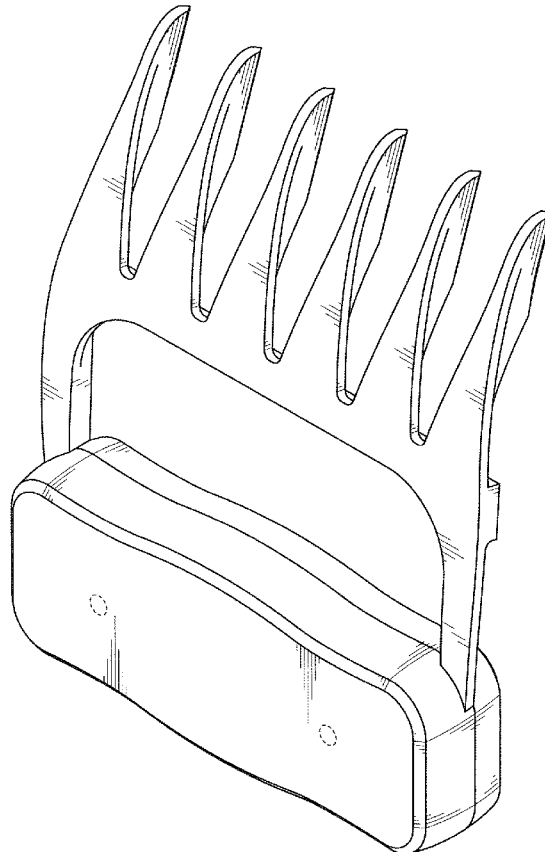
(57) **CLAIM**
 The ornamental design for a barbecue claw, as shown and described.

DESCRIPTION

FIG. 1 is a front, right side, top perspective view of a barbecue claw showing my new design;
 FIG. 2 is a rear, right side, bottom perspective view thereof;
 FIG. 3 is a front elevational view;
 FIG. 4 is a rear elevational view thereof;
 FIG. 5 is a left side elevational view thereof;
 FIG. 6 is a right side elevational view thereof;
 FIG. 7 is a top plan view thereof; and,
 FIG. 8 is a bottom plan view thereof.
 The broken lines immediately adjacent to the claimed portions are boundaries, all other broken lines are environmental structures; all the broken lines form no part of the claimed design.

- (56) **References Cited**
 U.S. PATENT DOCUMENTS
 D25,841 S * 7/1896 Bonte D7/682
 D333,413 S * 2/1993 Kistner D7/683

1 Claim, 8 Drawing Sheets



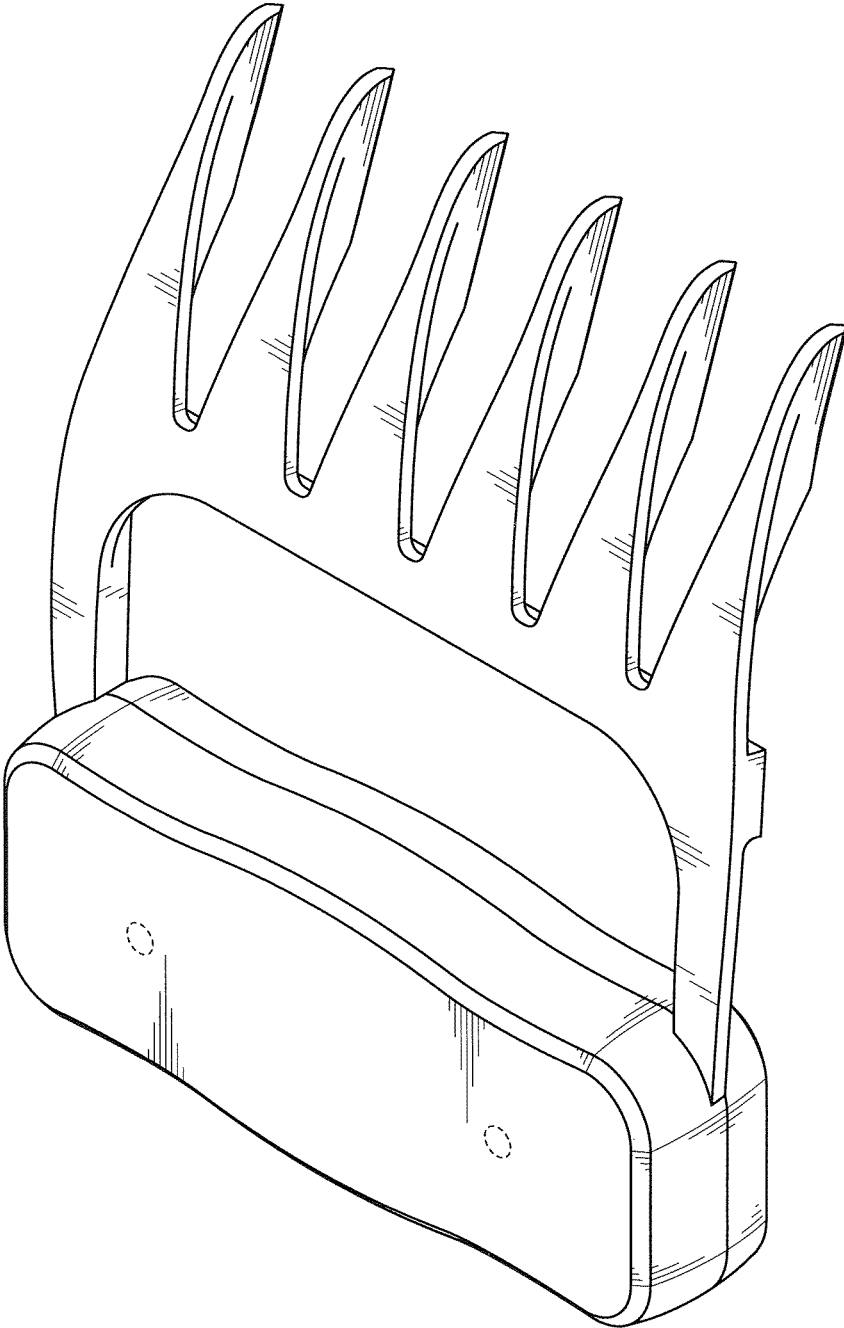


FIG. 1

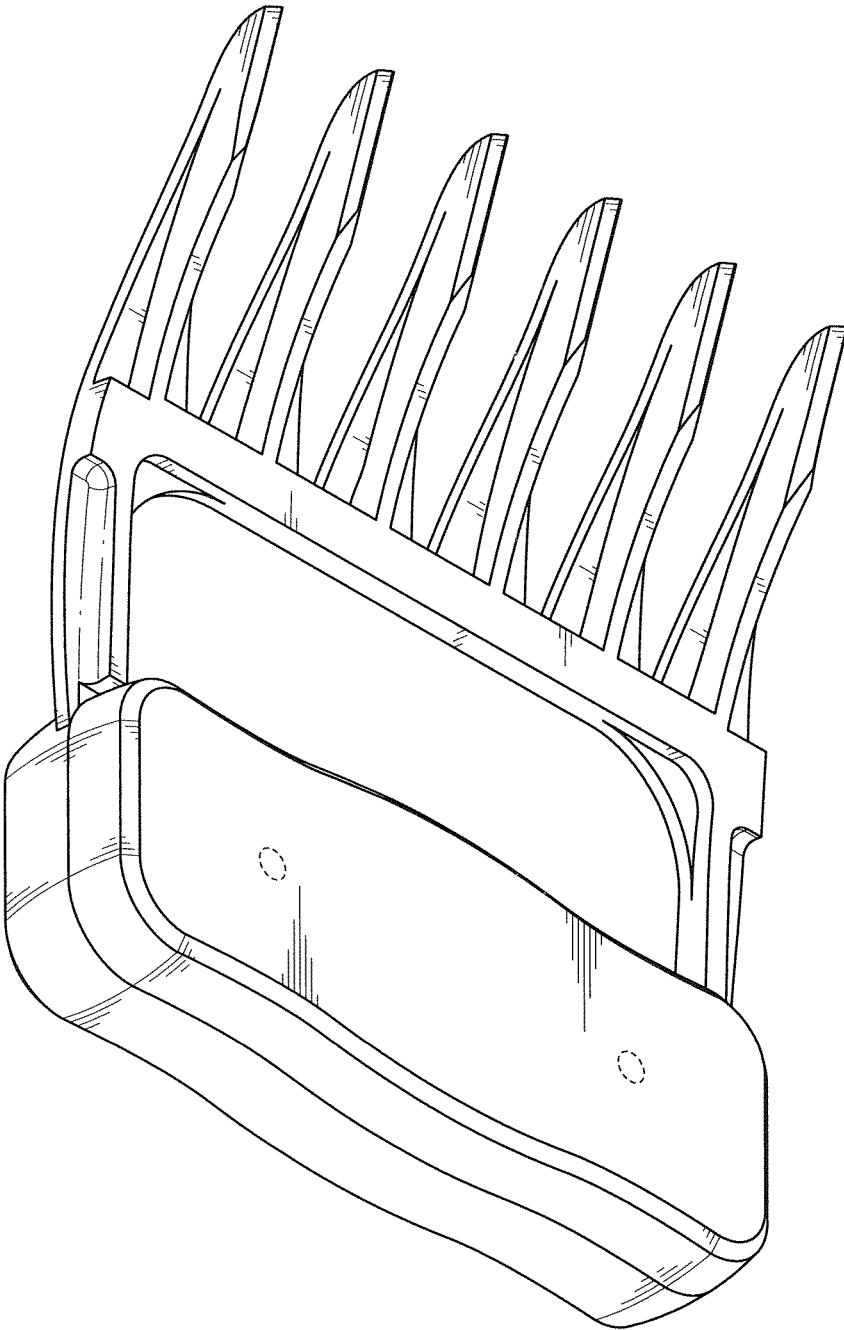


FIG. 2

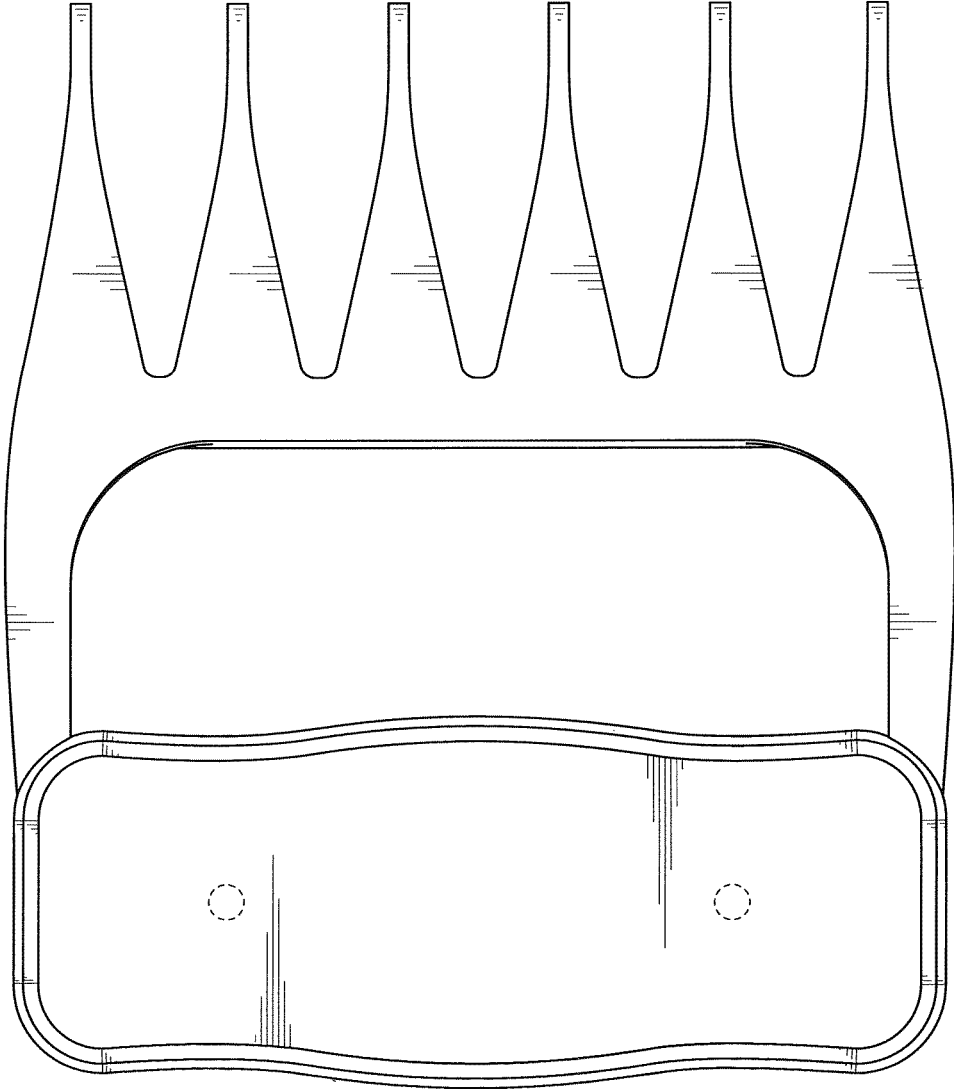


FIG. 3

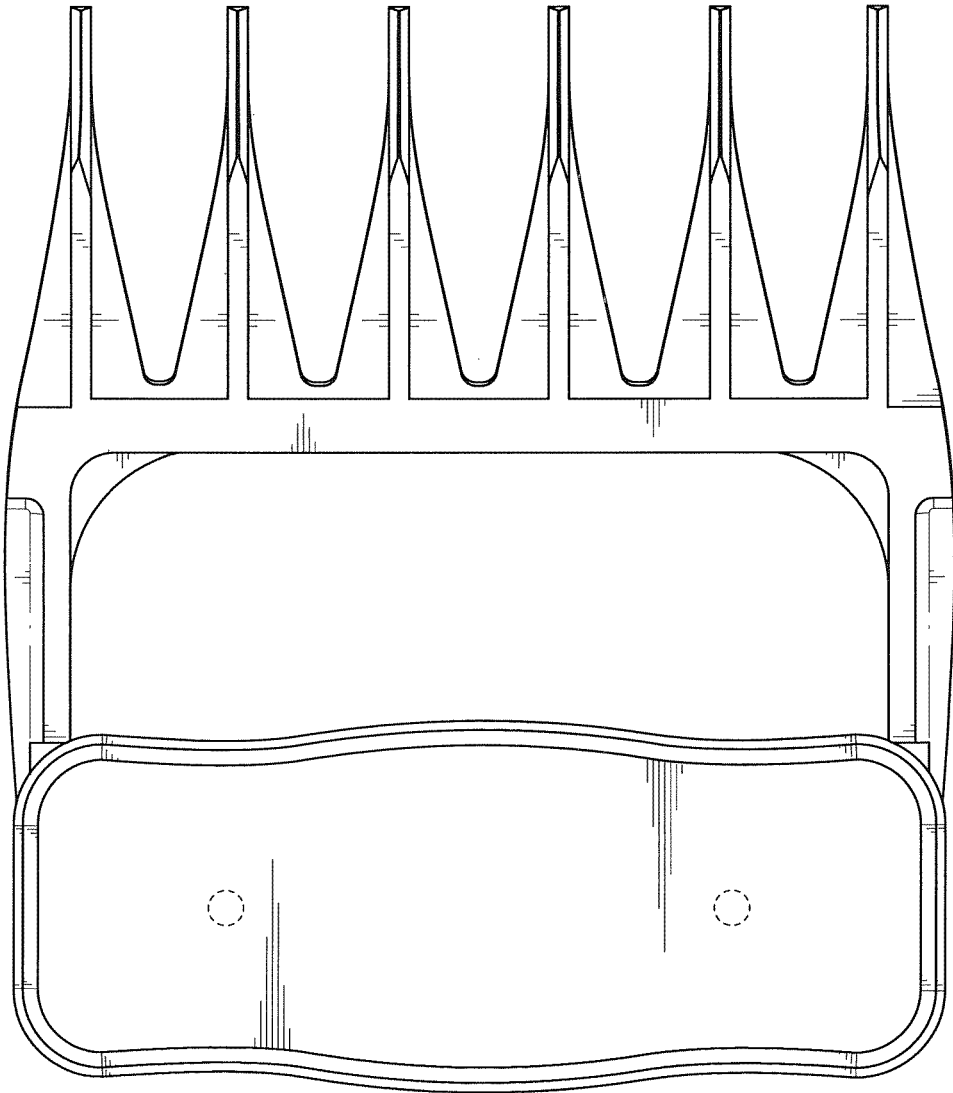


FIG. 4

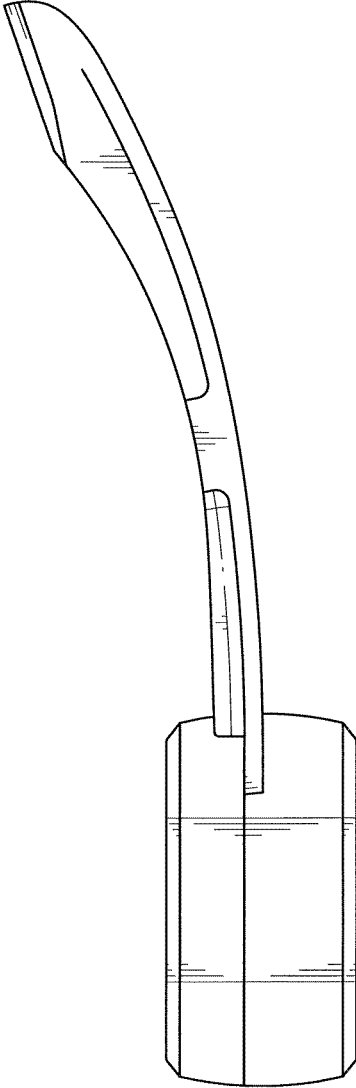


FIG. 5

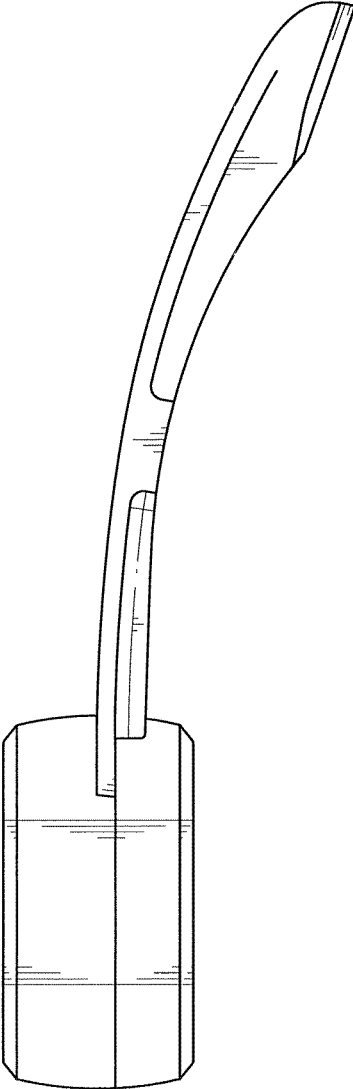


FIG. 6

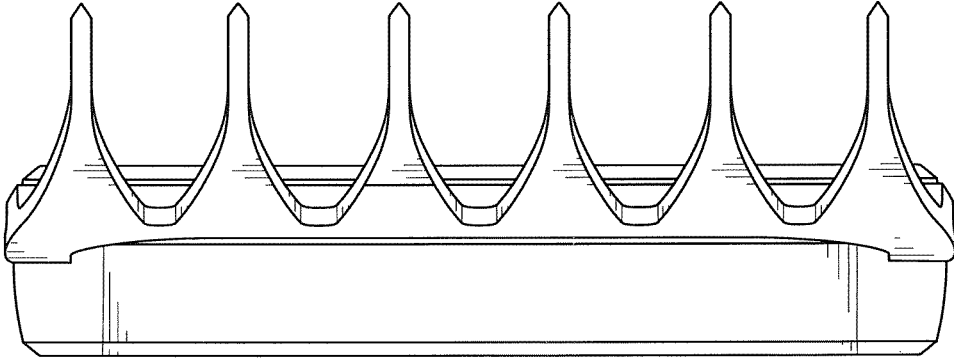


FIG. 7

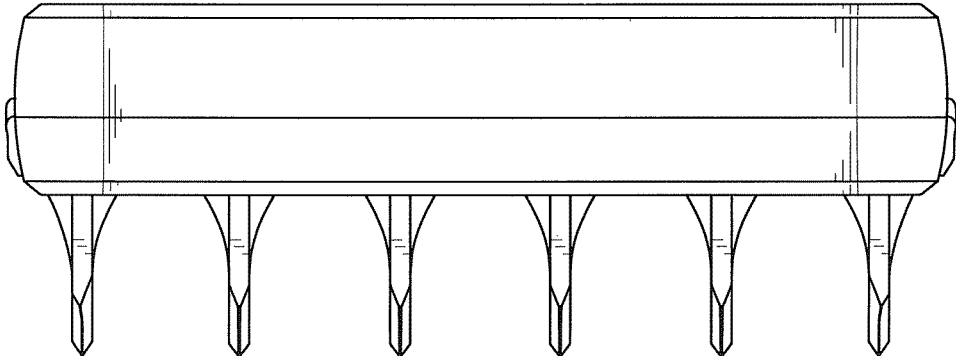


FIG. 8