



US0D1011997S

(12) **United States Design Patent**
Parab et al.

(10) **Patent No.:** **US D1,011,997 S**

(45) **Date of Patent:** **** Jan. 23, 2024**

(54) **VENT MOUNT**

(71) Applicant: **ANNEX PRODUCTS PTY LTD,**
South Yarra (AU)

(72) Inventors: **Nish Parab,** South Yarra (AU);
Christopher L. Peters, South Yarra
(AU); **Leigh M. Ryan,** South Yarra
(AU)

(73) Assignee: **ANNEX PRODUCTS PTY LTD,**
South Yarra (AU)

(**) Term: **15 Years**

(21) Appl. No.: **29/844,395**

(22) Filed: **Jun. 28, 2022**

(51) **LOC (14) Cl.** **12-16**

(52) **U.S. Cl.**
USPC **D12/415**

(58) **Field of Classification Search**
USPC D12/415, 419; D7/620
CPC .. B60N 3/10; B60Q 3/225; B60Q 3/64; B60R
13/02
See application file for complete search history.

(56) **References Cited**

U.S. PATENT DOCUMENTS

D231,195	S *	4/1974	Reynolds	D12/415
5,593,124	A	1/1997	Wang		
5,931,440	A	8/1999	Miller		
5,979,724	A	11/1999	Loewenthal, Jr. et al.		
8,505,795	B2	8/2013	Dunn		
8,757,461	B2	6/2014	Zanetti		
D716,215	S *	10/2014	Dunn	D12/415
9,004,331	B2	4/2015	Fan		
9,243,739	B2	1/2016	Peters		
D784,997	S *	4/2017	Cheng	D14/447
9,701,256	B2	7/2017	Haymond et al.		
9,744,913	B2	8/2017	Ormsbee et al.		

D799,448	S *	10/2017	Zheng	D14/217
9,821,722	B1	11/2017	Jones		
9,868,532	B2	1/2018	Balmer		
10,150,426	B2	12/2018	Ormsbee et al.		
10,308,191	B2	6/2019	Richter		
D858,422	S *	9/2019	Min	D12/415
D862,454	S *	10/2019	Chun	D12/415
D874,385	S *	2/2020	Jang	D12/415
D879,863	S *	3/2020	Chuang	D16/242
D906,346	S *	12/2020	Min	D14/447
D960,167	S *	8/2022	Ubbesen	D24/186

(Continued)

FOREIGN PATENT DOCUMENTS

EP	1096353	5/2001
JP	H08-276793	10/1996
JP	2001071828	3/2001

Primary Examiner — Katrina A Betton

(74) *Attorney, Agent, or Firm* — Barnes & Thornburg
LLP

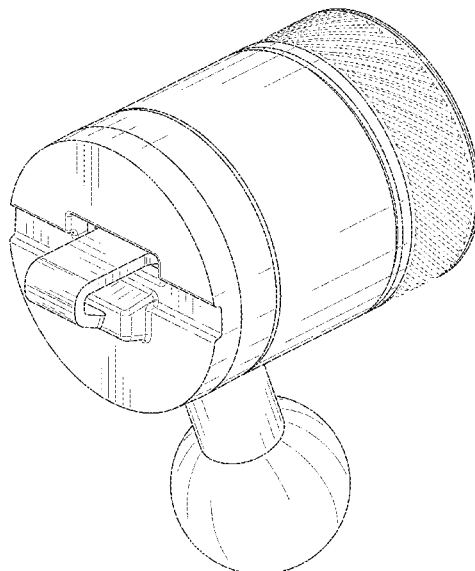
(57) **CLAIM**

We claim the ornamental design for a vent mount, as shown
and described.

DESCRIPTION

FIG. 1 is a front perspective view of a vent mount in
accordance with our new design;
FIG. 2 is a rear perspective view of the vent mount of FIG.
1;
FIG. 3 is a front elevation view of the vent mount of FIG.
1;
FIG. 4 is a rear elevation view of the vent mount of FIG. 1;
FIG. 5 is right side elevation view of the vent mount of FIG.
1;
FIG. 6 is a left side elevation view of the vent mount of FIG.
1;
FIG. 7 is a top plan view of the vent mount of FIG. 1; and,
FIG. 8 is bottom plan view of the vent mount of FIG. 1.

1 Claim, 8 Drawing Sheets



(56)

References Cited

U.S. PATENT DOCUMENTS

D988,307	S	*	6/2023	Luo	D12/415
D992,492	S	*	7/2023	Jin	D12/415
2008/0190978	A1		8/2008	Brassard	
2009/0072106	A1		3/2009	Zheng	
2021/0129767	A1		5/2021	Leimer	
2021/0129768	A1		5/2021	Leimer	
2021/0249880	A1		8/2021	Taylor et al.	

* cited by examiner

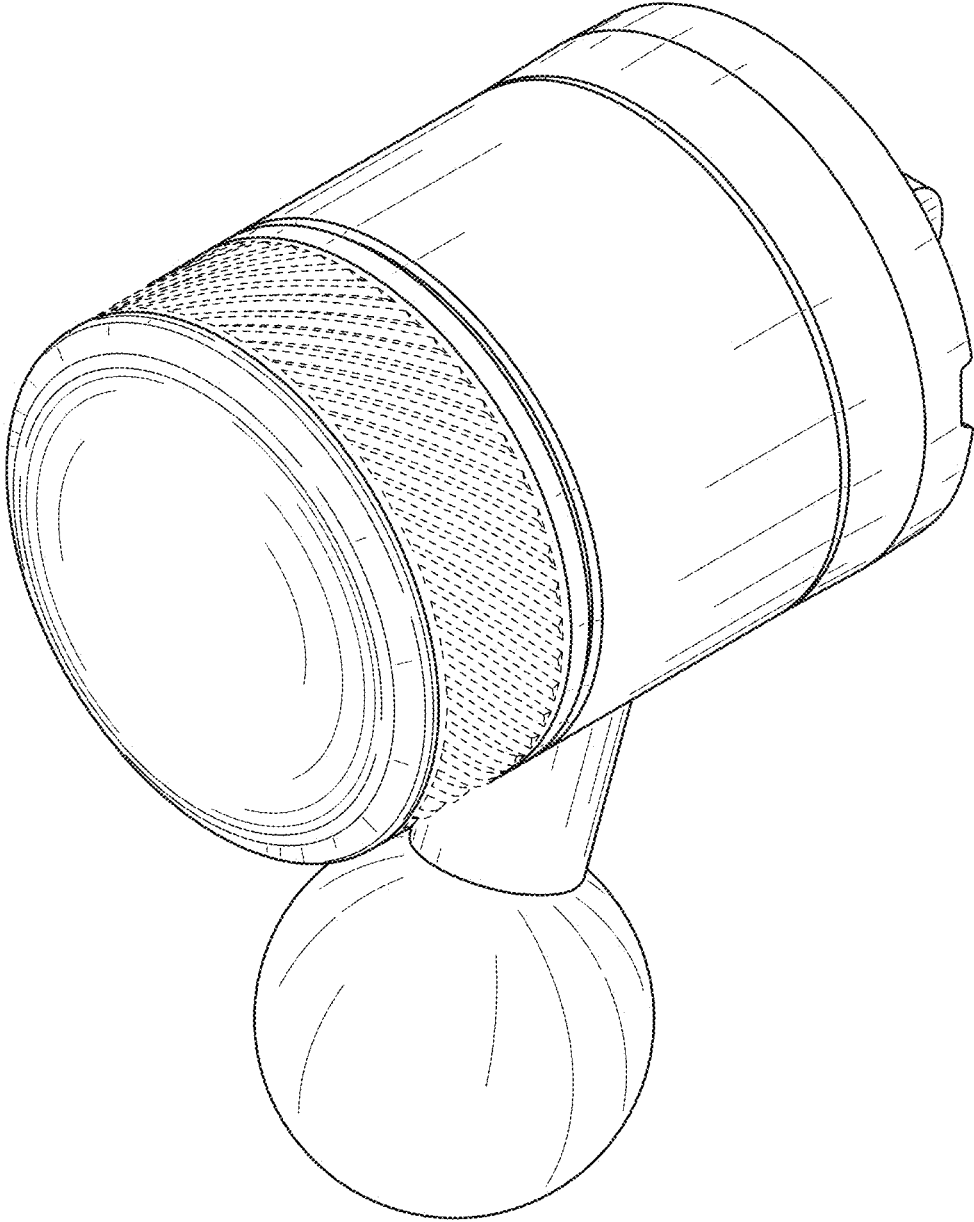


FIG. 1

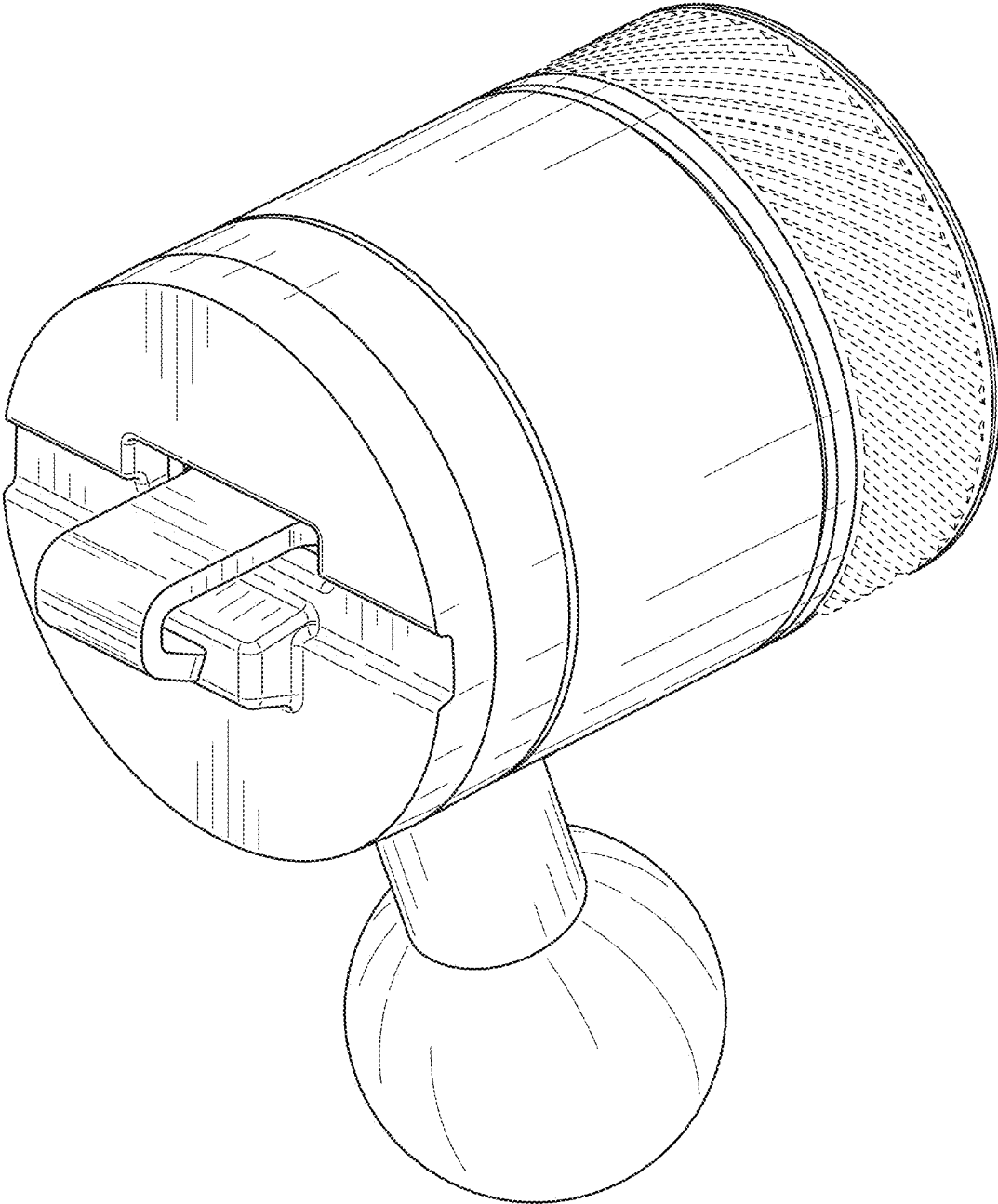


FIG. 2

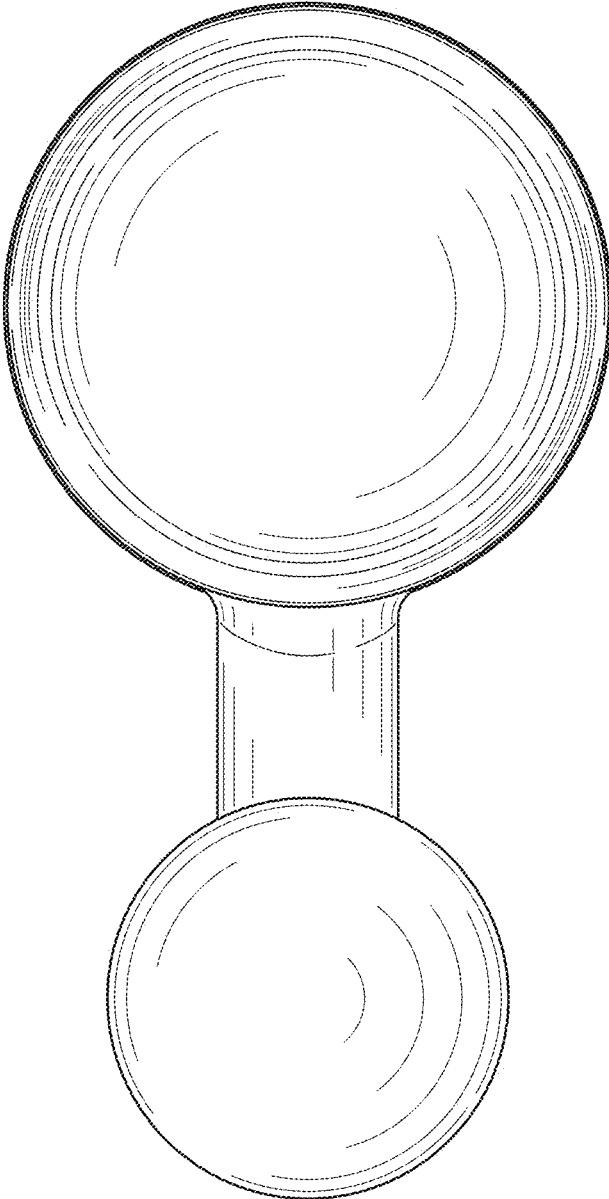


FIG. 3

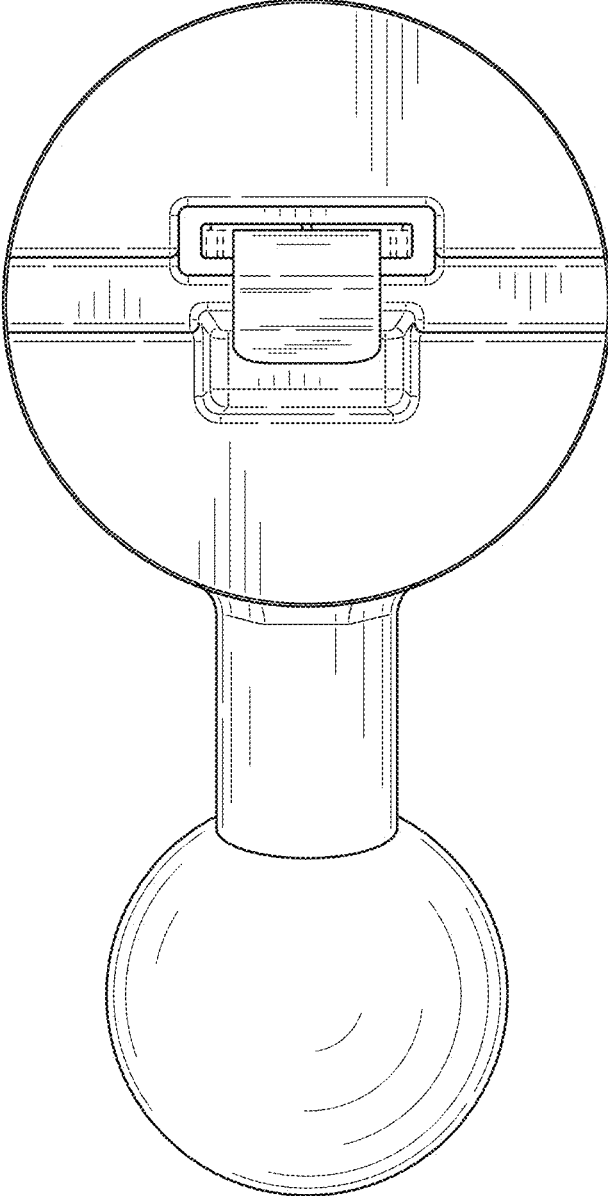


FIG. 4

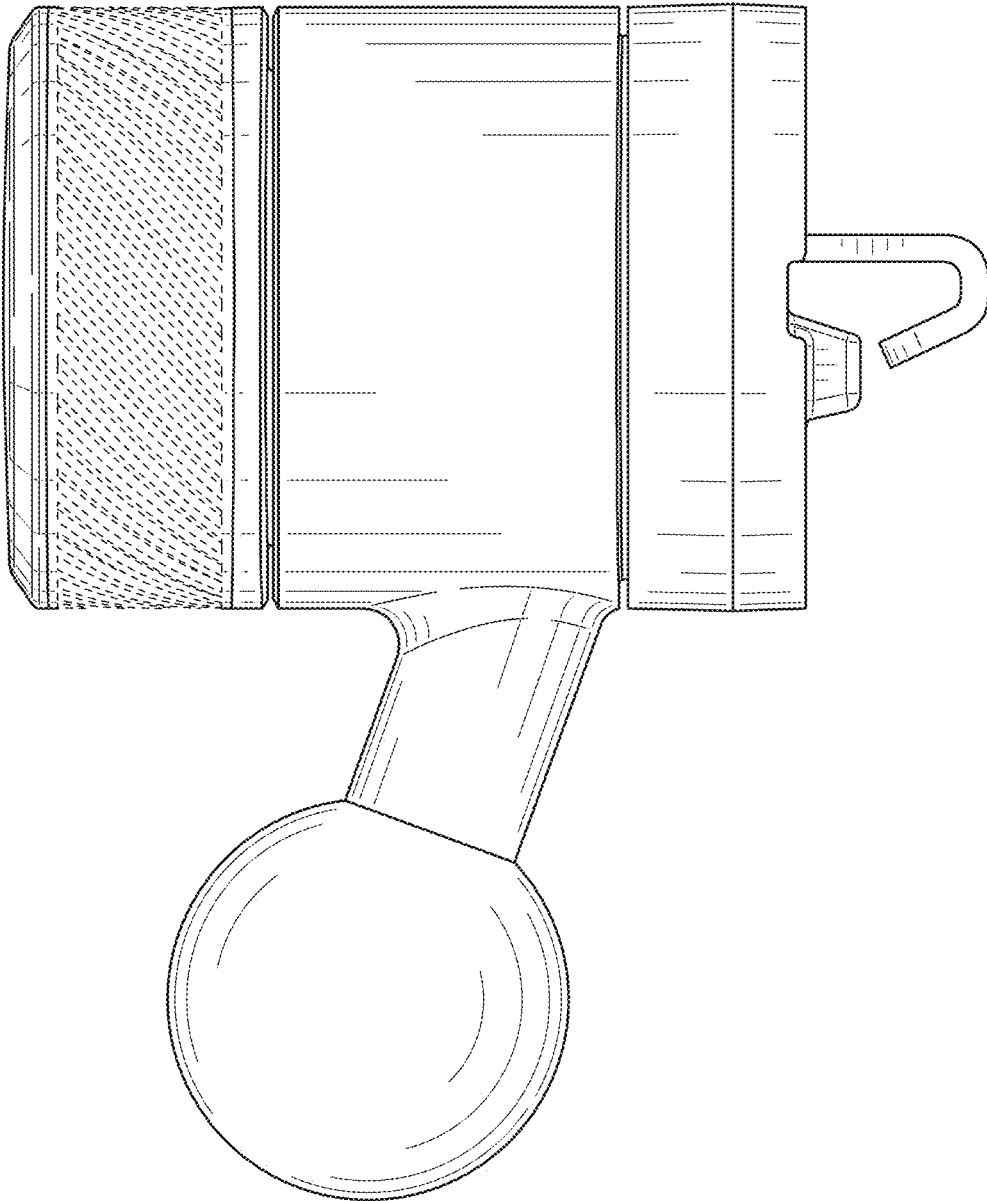


FIG. 5

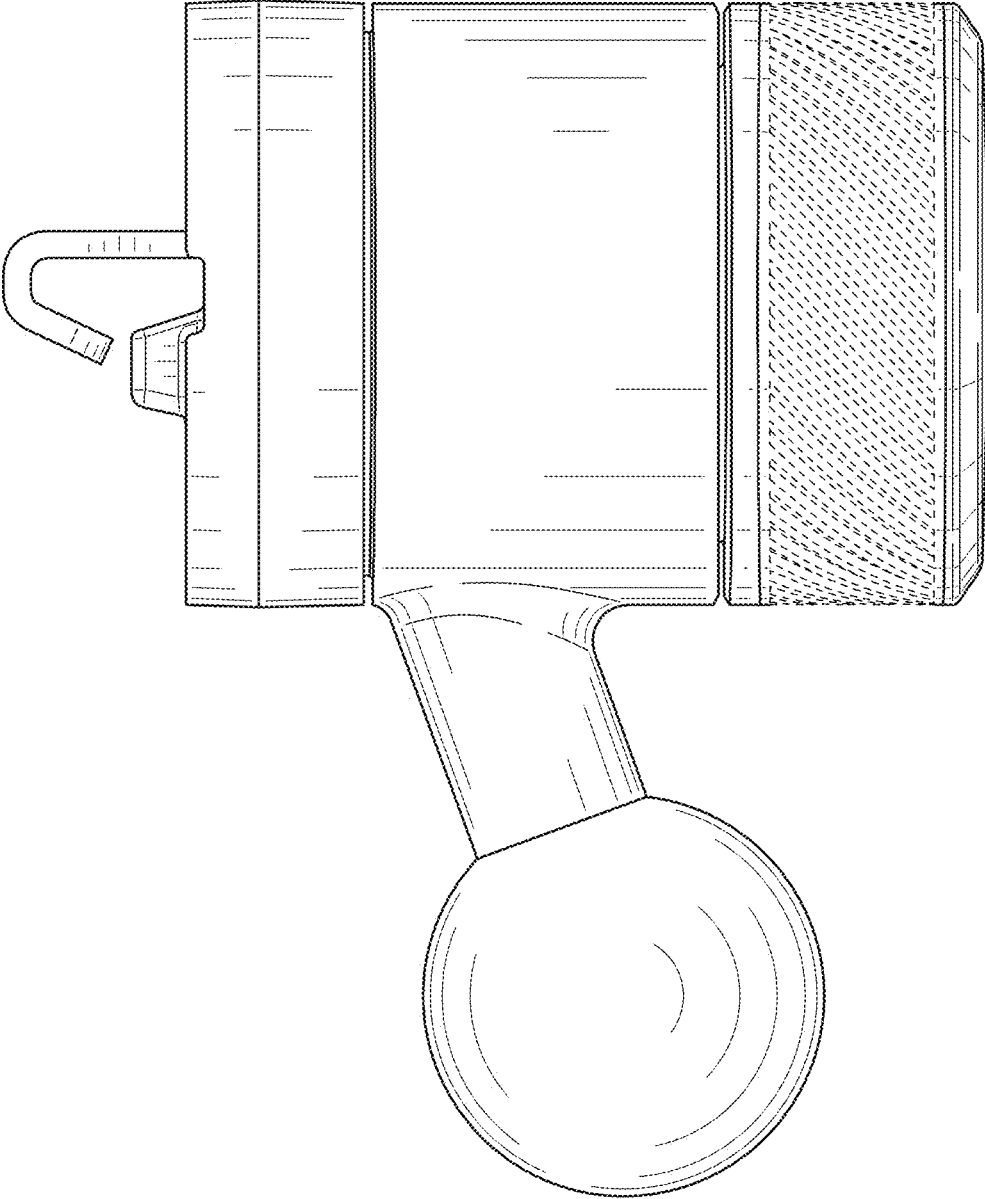


FIG. 6

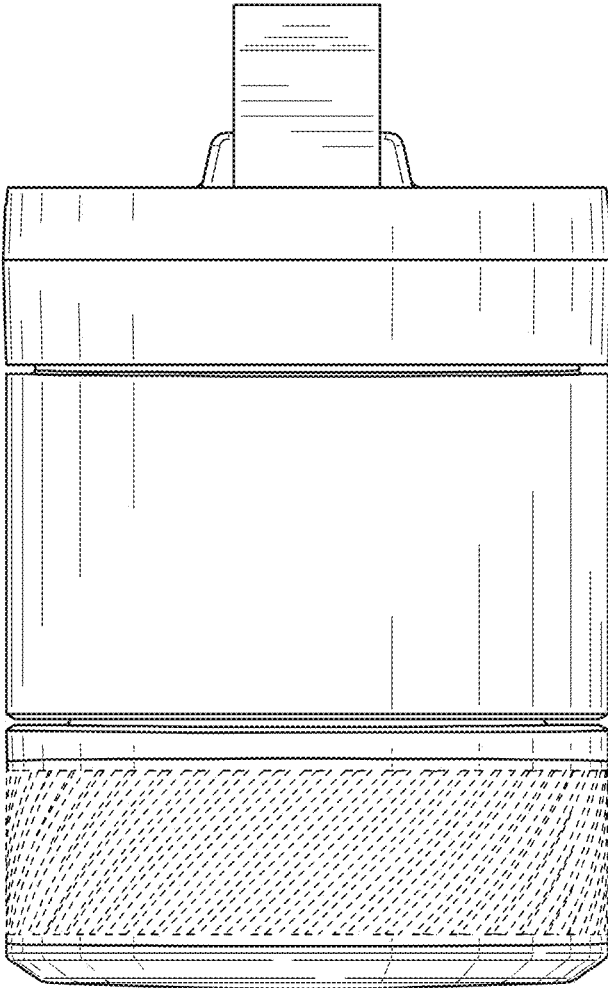


FIG. 7

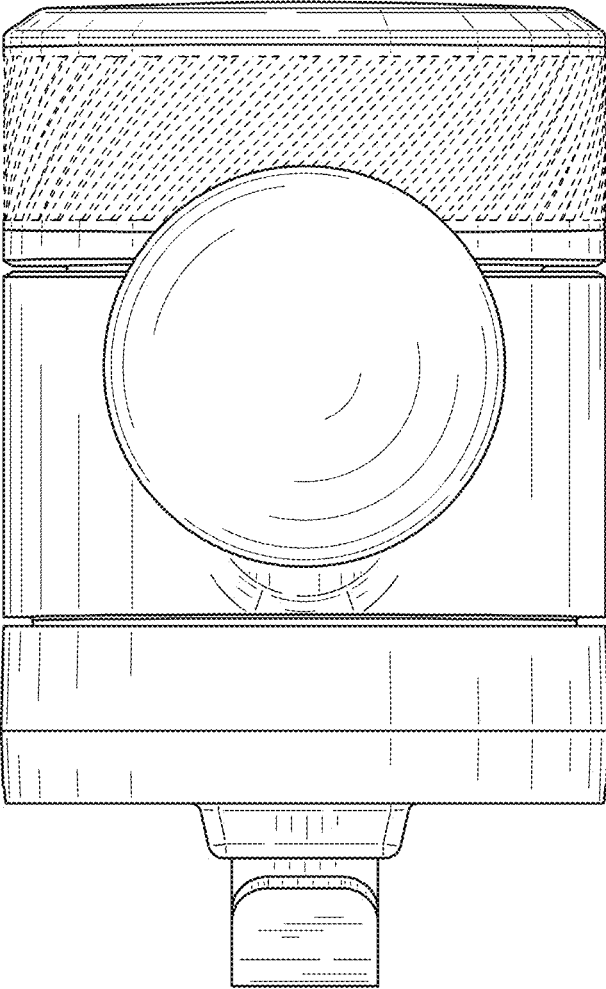


FIG. 8