



US00D666158S

(12) **United States Design Patent**
Auguste et al.

(10) **Patent No.:** **US D666,158 S**

(45) **Date of Patent:** **** Aug. 28, 2012**

(54) **GASKET FOR AN ELECTRIC PLUG**

(75) Inventors: **Donna Marie Auguste**, Denver, CO (US); **David Edward Hayes**, Denver, CO (US)

(73) Assignee: **Alpha and Omega, Inc.**, Denver, CO (US)

(**) Term: **14 Years**

(21) Appl. No.: **29/367,059**

(22) Filed: **Aug. 2, 2010**

(51) **LOC (9) Cl.** **13-03**

(52) **U.S. Cl.** **D13/156**

(58) **Field of Classification Search** D13/156, D13/133, 137.1, 137.2, 138.1, 138.2, 154, D13/177, 184, 199; D8/352, 353, 354; D9/439; 174/1, 66, 67; 439/89, 109, 152, 445, 625, 439/651, 721, 934, 956

See application file for complete search history.

(56) **References Cited**

U.S. PATENT DOCUMENTS

2,448,339 A * 8/1948 Williams 200/51.02
(Continued)

Primary Examiner — Derrick Holland

(74) *Attorney, Agent, or Firm* — TIPS Group

(57) **CLAIM**

The ornamental design for a gasket for an electric plug, as shown and described.

DESCRIPTION

FIG. 1 is a perspective view of a gasket for an electric plug showing a first embodiment of our new design;

FIG. 2 is a front elevational view thereof, the rear elevational view being a mirror image;

FIG. 3 is a top plan view thereof, the bottom plan view being a mirror image;

FIG. 4 is a left side elevational view thereof, the right side elevational view being a mirror image;

FIG. 5 is a perspective view of a gasket for an electric plug showing a second embodiment of our new design;

FIG. 6 is a front elevational view thereof, the rear elevational view being a mirror image;

FIG. 7 is a top plan view thereof, the bottom plan view being a mirror image;

FIG. 8 is a left side elevational view thereof, the right side elevational view being a mirror image;

FIG. 9 is a perspective view of a gasket for an electric plug showing a third embodiment of our new design;

FIG. 10 is a front elevational view thereof, the rear elevational view being a mirror image;

FIG. 11 is a top plan view thereof, the bottom plan view being a mirror image;

FIG. 12 is a left side elevational view thereof, the right side elevational view being a mirror image;

FIG. 13 is a perspective view of a gasket for an electric plug showing a fourth embodiment of our new design;

FIG. 14 is a front elevational view thereof, the rear elevational view being a mirror image;

FIG. 15 is a top plan view thereof, the bottom plan view being a mirror image;

FIG. 16 is a left side elevational view thereof, the right side elevational view being a mirror image;

FIG. 17 is a perspective view of a gasket for an electric plug showing a fifth embodiment of our new design;

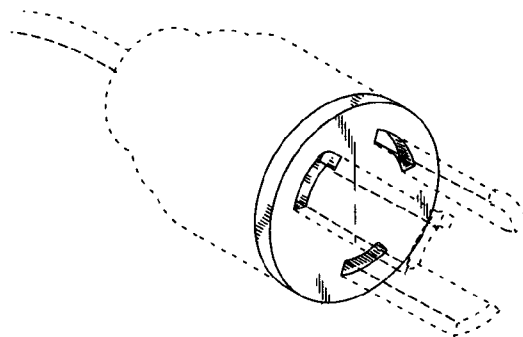
FIG. 18 is a front elevational view thereof, the rear elevational view being a mirror image;

FIG. 19 is a top plan view thereof, the bottom plan view being a mirror image; and,

FIG. 20 is a left side elevational view thereof, the right side elevational view being a mirror image.

The broken lines shown represent unclaimed subject matter and form no part of the claimed design.

1 Claim, 5 Drawing Sheets



US D666,158 S

Page 2

U.S. PATENT DOCUMENTS

4,618,740	A *	10/1986	Ray et al.	174/67	D440,203	S *	4/2001	Ewing et al.	D13/137.2
D295,622	S *	5/1988	Good et al.	D13/137.3	D462,056	S *	8/2002	Chung	D13/137.1
5,007,857	A *	4/1991	Wright	439/490	6,840,813	B2 *	1/2005	Kim	439/651
D359,270	S *	6/1995	Connelly	D13/154	6,884,125	B2 *	4/2005	Chen	439/848
D360,190	S *	7/1995	Fabich, Sr.	D13/156	D595,238	S *	6/2009	Vigorito et al.	D13/156
D369,142	S *	4/1996	Hedrick	D13/138.1	D622,217	S *	8/2010	Green	D13/137.2
D370,846	S *	6/1996	Hanna	D9/439	D636,336	S *	4/2011	Clark	D13/137.2
D383,727	S *	9/1997	Caruso et al.	D13/156					

* cited by examiner

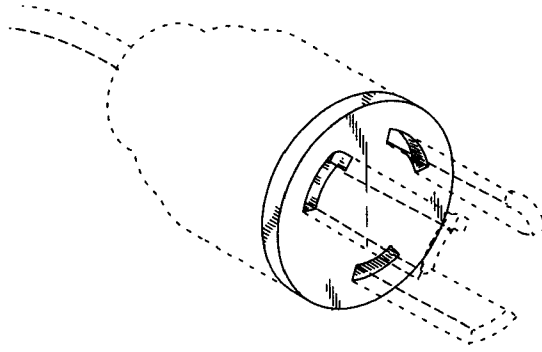


FIG. 1

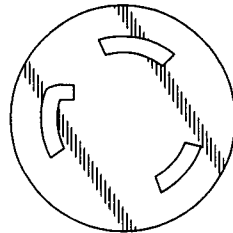


FIG. 2

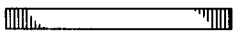


FIG. 3



FIG. 4

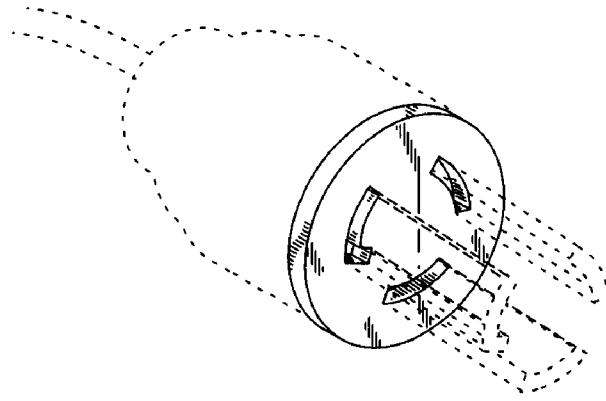


FIG. 5

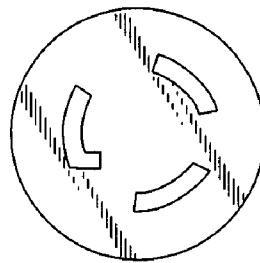


FIG. 6

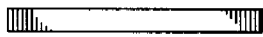


FIG. 7



FIG. 8

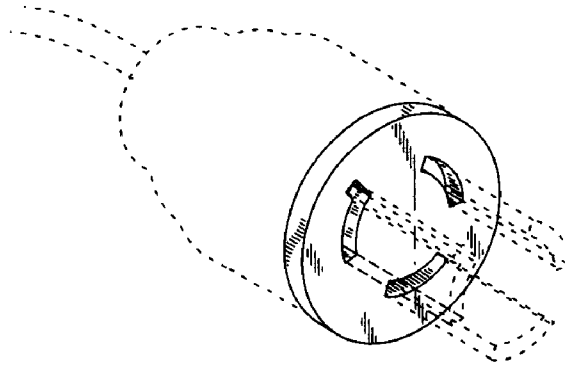


FIG. 9

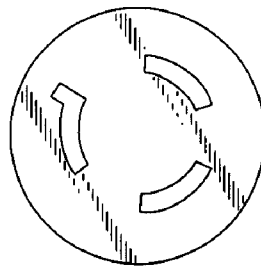


FIG. 10

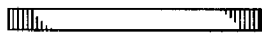


FIG. 11



FIG. 12

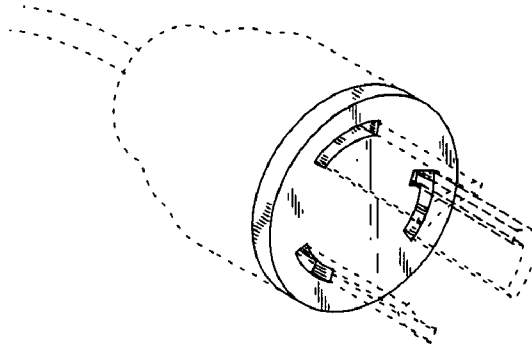


FIG. 13

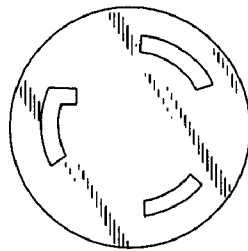


FIG. 14

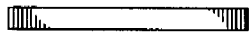


FIG. 15



FIG. 16

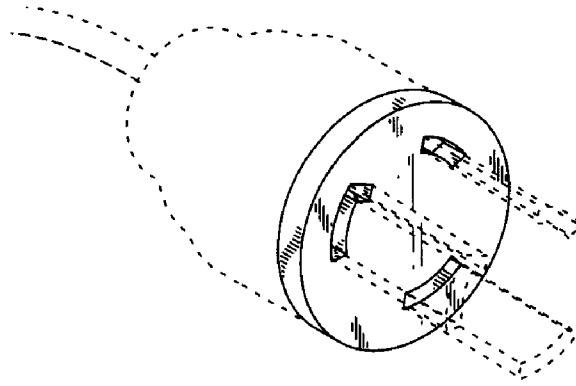


FIG. 17

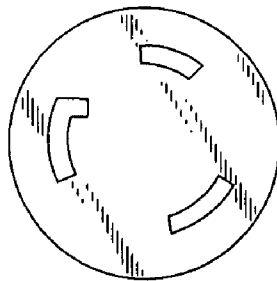


FIG. 18

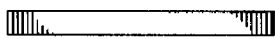


FIG. 19



FIG. 20