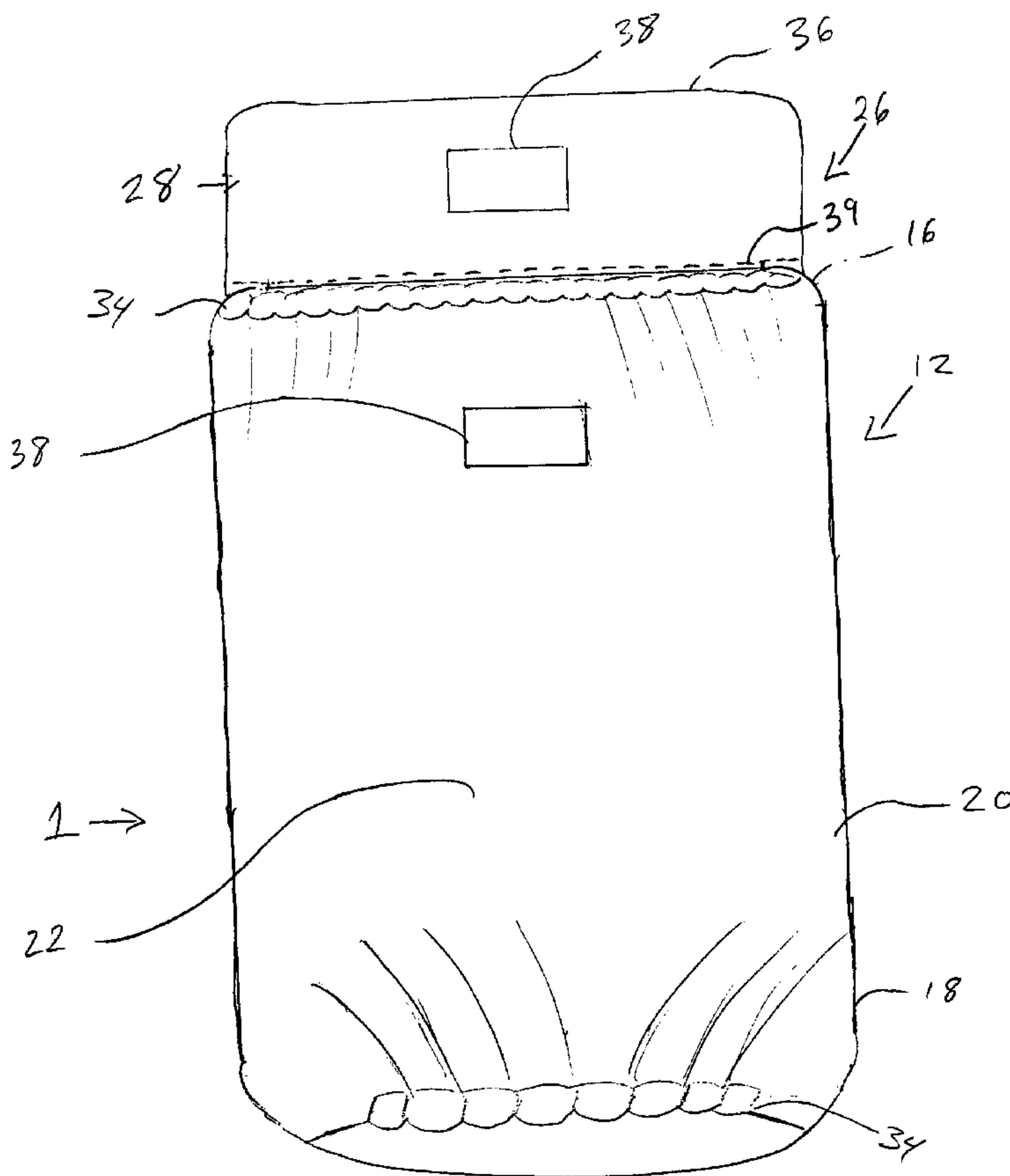




(22) Date de dépôt/Filing Date: 1997/05/23
(41) Mise à la disp. pub./Open to Public Insp.: 1998/11/23
(45) Date de délivrance/Issue Date: 2003/10/14

(51) Cl.Int.⁶/Int.Cl.⁶ A61G 17/06, A01K 29/00
(72) Inventeur/Inventor:
RICHARD, THERESA LENNIE GAY, CA
(73) Propriétaire/Owner:
CREATURE WARES LTD., CA
(74) Agent: ADE & COMPANY

(54) Titre : CONTENANT SERVANT A ENTERRER UN ANIMAL FAMILIER
(54) Title: PET BURIAL CONTAINER



(57) **Abrégé/Abstract:**

A container for burial of a deceased pet is described. The pet burial container comprises a fabric bag and a flat sheet. The fabric bag comprises a base arranged to accept the flat sheet therein and a flaccid top portion opposite the base. The deceased pet is placed into the fabric bag such that the deceased pet rests on the flat sheet while the flaccid top portion drapes over the deceased pet, thereby enclosing the deceased pet in the fabric material.

-12-

ABSTRACT:

A container for burial of a deceased pet is described. The pet burial container comprises a fabric bag and a flat sheet. The fabric bag comprises a base arranged to accept the flat sheet therein and a flaccid top portion opposite the base.

- 5 The deceased pet is placed into the fabric bag such that the deceased pet rests on the flat sheet while the flaccid top portion drapes over the deceased pet, thereby enclosing the deceased pet in the fabric material.

-1-

PET BURIAL CONTAINER

The present invention relates to a pet burial container.

BACKGROUND OF THE INVENTION:

A traumatic event for anyone is the death of a beloved pet. Typically,
5 the burial process involves placing the deceased pet in an appropriately sized box,
such as a shoe box or other cardboard box or, more typically, the deceased pet is
placed in a plastic garbage bag or old blanket and then simply buried. This,
however, is obviously an inadequate and undignified tribute for a cherished family
member. Clearly, a more suitable pet burial container is needed.

10 SUMMARY OF THE INVENTION:

It is one object of the invention, therefore, to provide a pet burial
container.

According to a first aspect of the invention, there is provided a container for use in
burying a deceased pet animal comprising:

15 a fabric container bag having a first fabric sheet defining a bottom
sheet and a second fabric sheet defining a top sheet;

the top and bottom sheets being connected together to form a bag with
an opening through which the animal can be inserted for containment within the bag;

and a flat stiffener sheet;

20 the stiffener sheet being attached to an inside surface of the bottom
sheet such that the bottom sheet extends across and is maintained taut relative to a
bottom surface of the stiffener sheet;

-2-

the stiffener sheet being sufficiently stiff so as to provide a support for the animal upon the stiffener sheet;

the top sheet being sufficiently loose and flaccid relative to the stiffener sheet such that the top sheet drapes over the animal while supported on the stiffener sheet.

Preferably the container bag is free from handles and the container bag is transported by manually engaging a bottom surface of the bottom sheet to transfer forces to the bottom of the stiffener sheet.

Preferably the container bag has handles at side edges thereof and wherein the container bag is transported by lifting the handles such that forces from the handles are applied through the bottom sheet to the underside of the stiffener sheet.

According to a second aspect of the invention there is provided a container for use in burying a deceased pet animal comprising:

a fabric container bag having a first fabric sheet defining a bottom sheet and a second fabric sheet defining a top sheet;

the top and bottom sheets being stitched together at one end of the bag and along two sides of the bag to form a bag with an opening at an end of the bag opposite to said one end through which the animal can be inserted for containment within the bag;

and a flat stiffener sheet;

-3-

the stiffener sheet being attached to an inside surface of the bottom sheet such that the bottom sheet extends across and is maintained taut relative to a bottom surface of the stiffener sheet;

5 the animal upon the stiffener sheet;

the top sheet being sufficiently flaccid relative to the stiffener sheet such that the top sheet drapes over the animal while supported on the stiffener sheet;

10 the container bag being arranged to be supported by supporting the bag from underneath the stiffener sheet.

Preferably the container bag is free from handles and the container bag is transported by manually engaging a bottom surface of the bottom sheet to transfer forces to the bottom of the stiffener sheet.

15 wherein the container bag is transported by lifting the handles such that forces from the handles are applied through the bottom sheet to the underside of the stiffener sheet.

According to a third aspect of the invention there is provided a method for burying a deceased pet animal comprising:

20 providing a single flat closed bottom sheet defining edges of the sheet;

providing a single closed top sheet defining edges of the sheet overlying the bottom sheet;

-4-

connecting together the top and bottom sheets around the edges to form a bag leaving one part of the edges open to form a single opening at said one part of the edges of the bag, the opening at said part of the edges defining the only opening at the top sheet and into the bag;

5 providing a flat stiffener sheet;

attaching the stiffener sheet to an inside surface of the bottom sheet such that the bottom sheet extends across and is maintained taut relative to a bottom surface of the stiffener sheet;

10 the closed top sheet being connected to the bottom sheet around the edges thereof such that the closed top sheet is loose and flaccid relative to the stiffener sheet;

15 inserting the animal into the container bag through the opening at said one part of the edges of the bag, such that the animal is inserted underneath the closed top sheet from the edge thereof with the closed top sheet being sufficiently loose and flaccid to allow the insertion thereunder of the animal and such that the animal is supported by the stiffener sheet;

the stiffener sheet being sufficiently stiff so as to provide a support for the animal upon the stiffener sheet;

20 arranging the top sheet to be sufficiently flaccid and loose such that the top sheet is draped loosely over the animal while supported on the stiffener sheet;

closing the opening such that the animal is fully enclosed;

transporting the animal in the container bag by supporting the bag from underneath the stiffener sheet;

-5-

and burying the animal in the bag.

Preferably the bag is free from handles and the bag is transported by a user by engaging the hands of the user underneath a bottom surface of the bottom sheet to transfer forces to the bottom of the stiffener sheet.

5 **BRIEF DESCRIPTION OF THE FIGURES:**

Figure 1 is a top plan view of the pet burial container.

Figure 2 is a bottom view of the pet burial container.

Figure 3 is a lateral cross section view of the pet burial container.

Figure 4 is a longitudinal cross section view of the pet burial container.

10 **DETAILED DESCRIPTION:**

Referring to the figures, a pet burial container 1 comprises a stiffening element 10 and a fabric bag 12.

The stiffening element 10 comprises a flat sheet 14. In this embodiment, the flat sheet 14 has rounded edges 16 and is arranged to be inserted
15 into the fabric bag 12 as described below.

The fabric bag 12 comprises a base 18, sides 20, a flaccid top portion 22, an inner portion 24, an opening 26 and a closure 28. The base 18 is arranged to accept the flat sheet 14 therein such that the base 18 fits tightly around the flat sheet 14. Specifically, the base 18 includes a pocket 30 for inserting a portion of the flat
20 sheet 14 therein as shown in Figure 4. As a result of this arrangement, the base 18 of the fabric bag 12 is rigid and may support a deceased pet thereon, as described below. The flat sheet 14 is secured within the base 18 by a series of stitches surrounding the flat sheet 14. Alternatively, the stiffening element 10 may be

-6-

attached to the base 18 of the fabric bag 12 by other means. The sides 20 are connected to the base 18 by a series of stitches arranged to be adjacent to the series of stitches surrounding the flat sheet 14. The sides 20 are arranged to include elastics 34 at positions proximal to the base 18 such that the sides 20 are gathered. As a result of this arrangement, the flaccid top portion 22 fits loosely above the base 18. Of note is that the flaccid top portion 22 is free of handles. The opening 26 provides access to the inner portion 24 of the fabric bag 12. In this embodiment, the opening 26 is adjacent to the base 18 such that the opening 26 is at one of the sides 20 of the fabric bag 12. Alternatively, the fabric bag 12 may be arranged such that the opening 26 is, for example, at the flaccid top portion 22 of the fabric bag 22. Furthermore, the opening 26 is arranged to include a closure 28 for closing the fabric bag. In this embodiment, the closure 28 comprises a flap 36 arranged to fit over the opening 26 and a strip 38 for closing the flap 36. The flap 36 is connected to the fabric bag 12 by a series of stitches 39 as shown in Figure 1.

In operation, the fabric bag 12 is opened at the opening 26, thereby allowing access to the inner portion 24 of the fabric bag 12. Next, a deceased pet 40 is placed into the inner portion 24 of the fabric bag 12 such that the deceased pet 40 lies on the flat sheet 14 inserted into the base 18 of the fabric bag 12. As noted above, the sides 20 are gathered so that the flaccid top portion 22 fits loosely opposite the base 18; thus, the flaccid top portion 22 drapes over the deceased pet 40, thereby enclosing the deceased pet 40 in fabric material. The closure 28 is then used to close the fabric bag 12 by fitting the flap 36 over the opening 26 and closing the fabric bag 12 with the strip 38 so that the deceased pet 40 is now held within the

-7-

pet burial container 1. As noted above, the flaccid top portion 22 of the fabric bag 12 is free of handles. As a result of this arrangement, the pet burial container 1 is carried at the base 18 of the fabric bag 12 by supporting the flat sheet 14 from beneath the deceased pet 40. That is, the pet burial container 1 is carried from
5 below the deceased pet 40 by the base 18 of the fabric bag 12. Thus, the deceased pet 40 is carried to the burial site much as one would carry a pillow or similar object.

In another embodiment, shown in Figure 2, the pet burial container 1 includes handles 42 extending from the base 18 for carrying the pet burial container 1. Of note is that in this embodiment, the flaccid top portion 22 remains free of
10 handles and the pet burial container 1 is carried from the base 18, that is, from beneath the deceased pet 40. Furthermore, the specific dimensions of the pet burial container 1 and the specific fabric used for construction of the fabric bag 12 may be varied as desired.

Since various modifications can be made in my invention as herein
15 above described, and many apparently widely different embodiments of same made within the spirit and scope of the claims without departing from such spirit and scope, it is intended that all matter contained in the accompanying specification shall be interpreted as illustrative only and not in a limiting sense.

-8-

CLAIMS:

1. A method for burying a deceased pet animal comprising:

providing a single flat closed bottom sheet defining edges of the sheet;

providing a single closed top sheet defining edges of the sheet

5 overlying the bottom sheet;

connecting together the top and bottom sheets around the edges to form a bag leaving one part of the edges open to form a single opening at said one part of the edges of the bag, the opening at said part of the edges defining the only opening at the top sheet and into the bag;

10 providing a flat stiffener sheet;

attaching the stiffener sheet to an inside surface of the bottom sheet such that the bottom sheet extends across and is maintained taut relative to a bottom surface of the stiffener sheet;

15 the closed top sheet being connected to the bottom sheet around the edges thereof such that the closed top sheet is loose and flaccid relative to the stiffener sheet;

inserting the animal into the container bag through the opening at said one part of the edges of the bag, such that the animal is inserted underneath the closed top sheet from the edge thereof with the closed top sheet being sufficiently loose and flaccid to allow the insertion thereunder of the animal and such that the animal is supported by the stiffener sheet;

20 the stiffener sheet being sufficiently stiff so as to provide a support for the animal upon the stiffener sheet;

-9-

arranging the top sheet to be sufficiently flaccid and loose such that the top sheet is draped loosely over the animal while supported on the stiffener sheet;

closing the opening such that the animal is fully enclosed;

transporting the animal in the container bag by supporting the bag from underneath the stiffener sheet;

and burying the animal in the bag.

2. The method according to Claim 1 wherein the bag is free from handles and the bag is transported by a user by engaging the hands of the user underneath a bottom surface of the bottom sheet to transfer forces to the bottom of the stiffener sheet.

3. A container for use in burying a deceased pet animal comprising:

a fabric container bag having a first fabric sheet defining a bottom sheet and a second fabric sheet defining a top sheet;

the top and bottom sheets being connected together to form a bag with an opening through which the animal can be inserted for containment within the bag;

and a flat stiffener sheet;

the stiffener sheet being attached to an inside surface of the bottom sheet such that the bottom sheet extends across and is maintained taut relative to a bottom surface of the stiffener sheet;

the stiffener sheet being sufficiently stiff so as to provide a support for the animal upon the stiffener sheet;

-10-

the top sheet being sufficiently loose and flaccid relative to the stiffener sheet such that the top sheet drapes over the animal while supported on the stiffener sheet.

4. The container according to Claim 3 wherein the container bag is free from handles and the container bag is transported by manually engaging a bottom surface of the bottom sheet to transfer forces to the bottom of the stiffener sheet.

5. The container according to Claim 3 wherein the container bag has handles at side edges thereof and wherein the container bag is transported by lifting the handles such that forces from the handles are applied through the bottom sheet to the underside of the stiffener sheet.

6. A container for use in burying a deceased pet animal comprising:

a fabric container bag having a first fabric sheet defining a bottom sheet and a second fabric sheet defining a top sheet;

the top and bottom sheets being stitched together at one end of the bag and along two sides of the bag to form a bag with an opening at an end of the bag opposite to said one end through which the animal can be inserted for containment within the bag;

and a flat stiffener sheet;

the stiffener sheet being attached to an inside surface of the bottom sheet such that the bottom sheet extends across and is maintained taut relative to a bottom surface of the stiffener sheet;

-11-

the stiffener sheet being sufficiently stiff so as to provide a support for the animal upon the stiffener sheet;

the top sheet being sufficiently flaccid relative to the stiffener sheet such that the top sheet drapes over the animal while supported on the stiffener sheet;

the container bag being arranged to be supported by supporting the bag from underneath the stiffener sheet.

7. The container according to Claim 6 wherein the container bag is free from handles and the container bag is transported by manually engaging a bottom surface of the bottom sheet to transfer forces to the bottom of the stiffener sheet.

8. The container according to Claim 6 wherein the container bag has handles at side edges thereof and wherein the container bag is transported by lifting the handles such that forces from the handles are applied through the bottom sheet to the underside of the stiffener sheet.

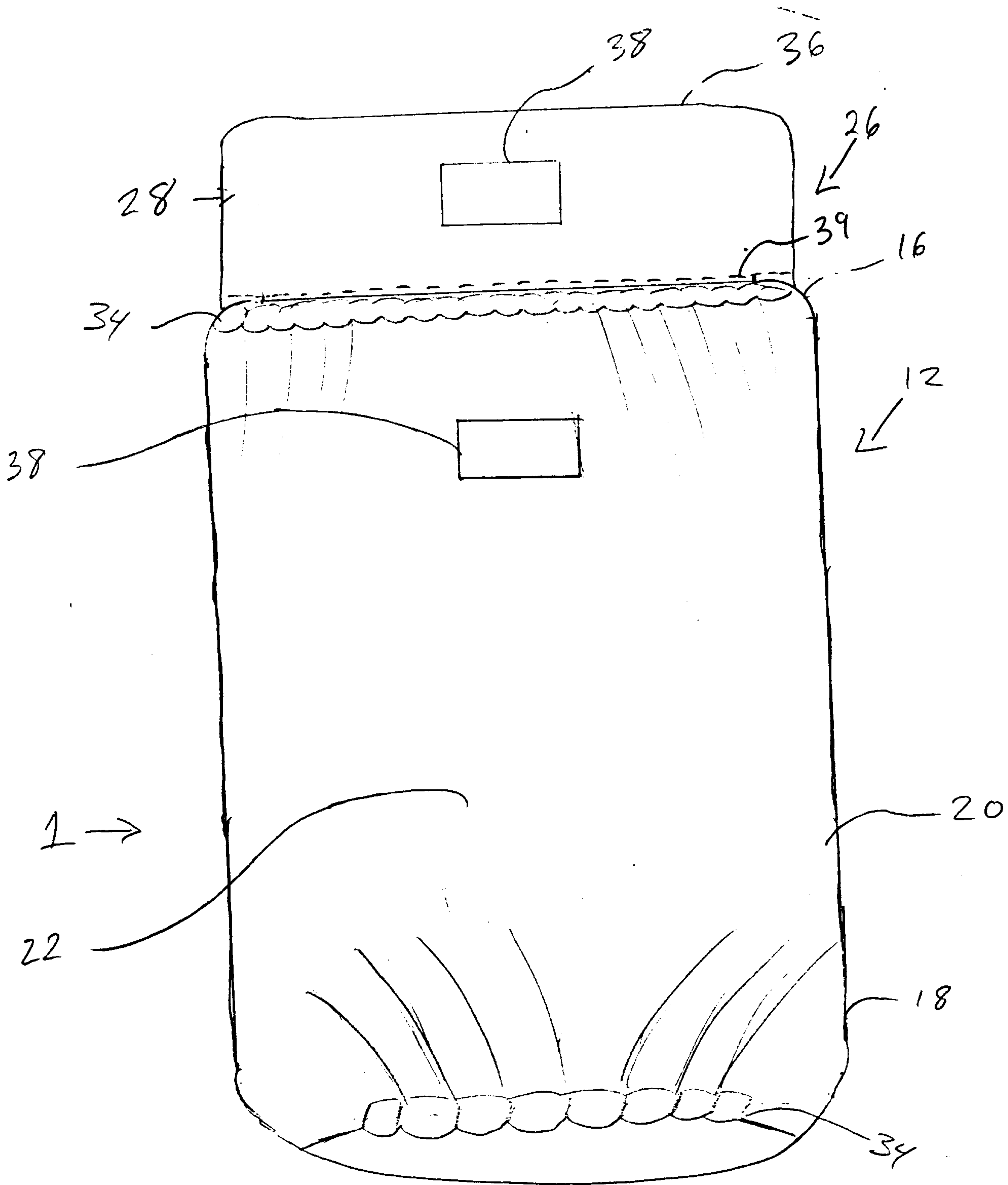


FIG. 1

INVENTOR: THERESA LENNIE GAY RICHARD
By: ADE & COMPANY

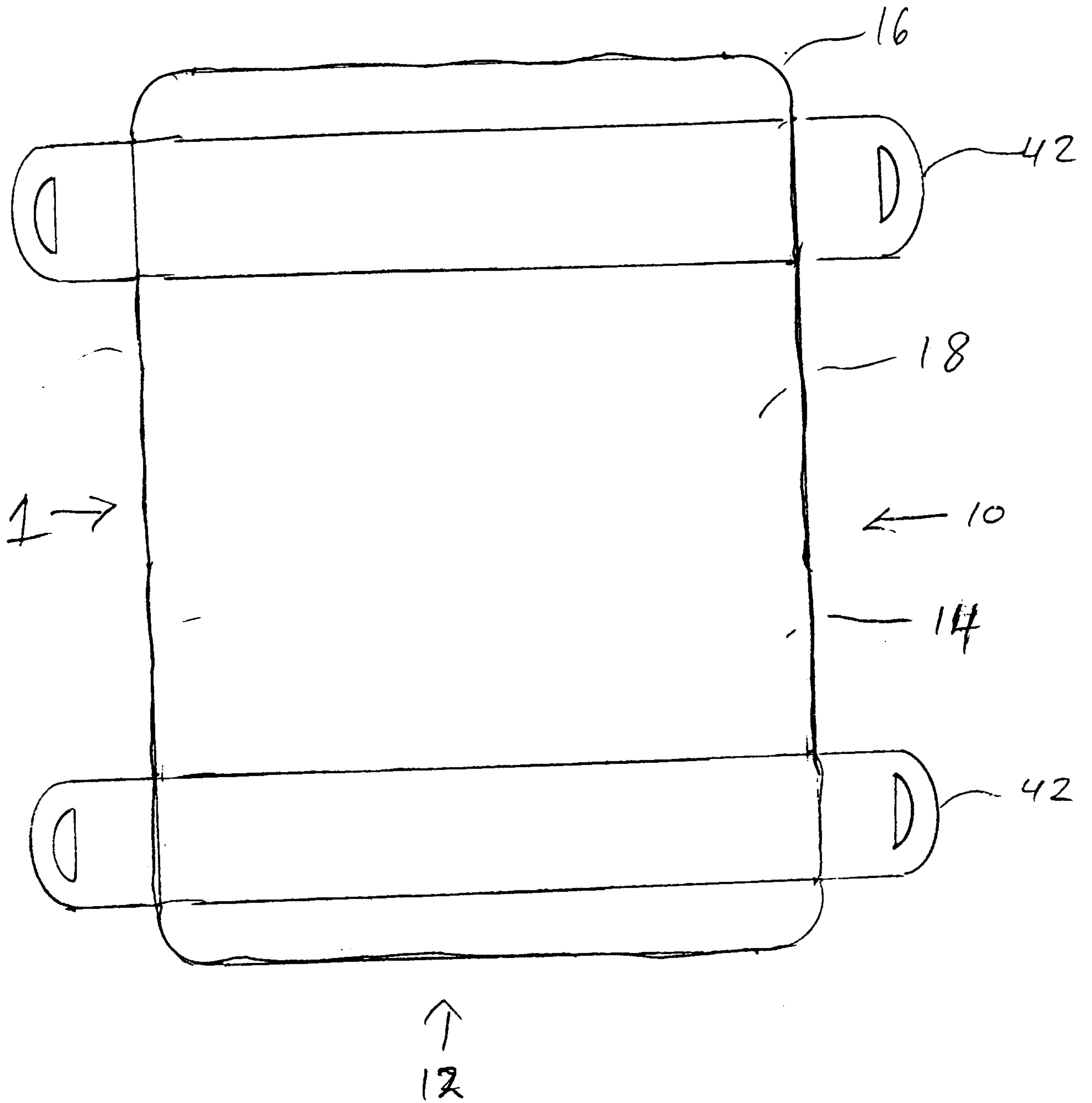


FIG 2

INVENTOR: THERESA LENNIE GAY RICHARD
By: ADE & COMPANY

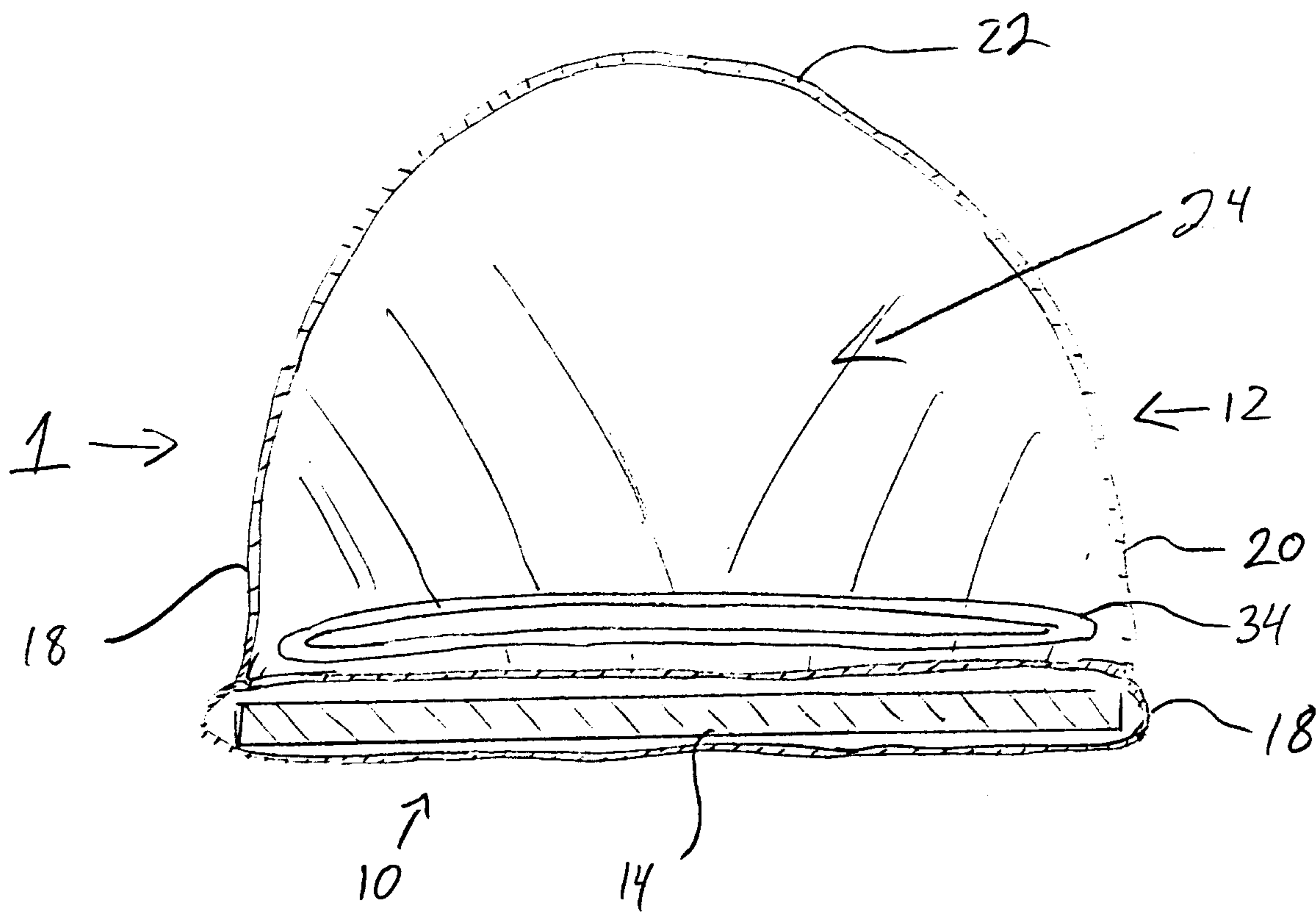


FIG. 3.

INVENTOR: THERESA LENNIE GAY RICHARD
By: ADE & COMPANY

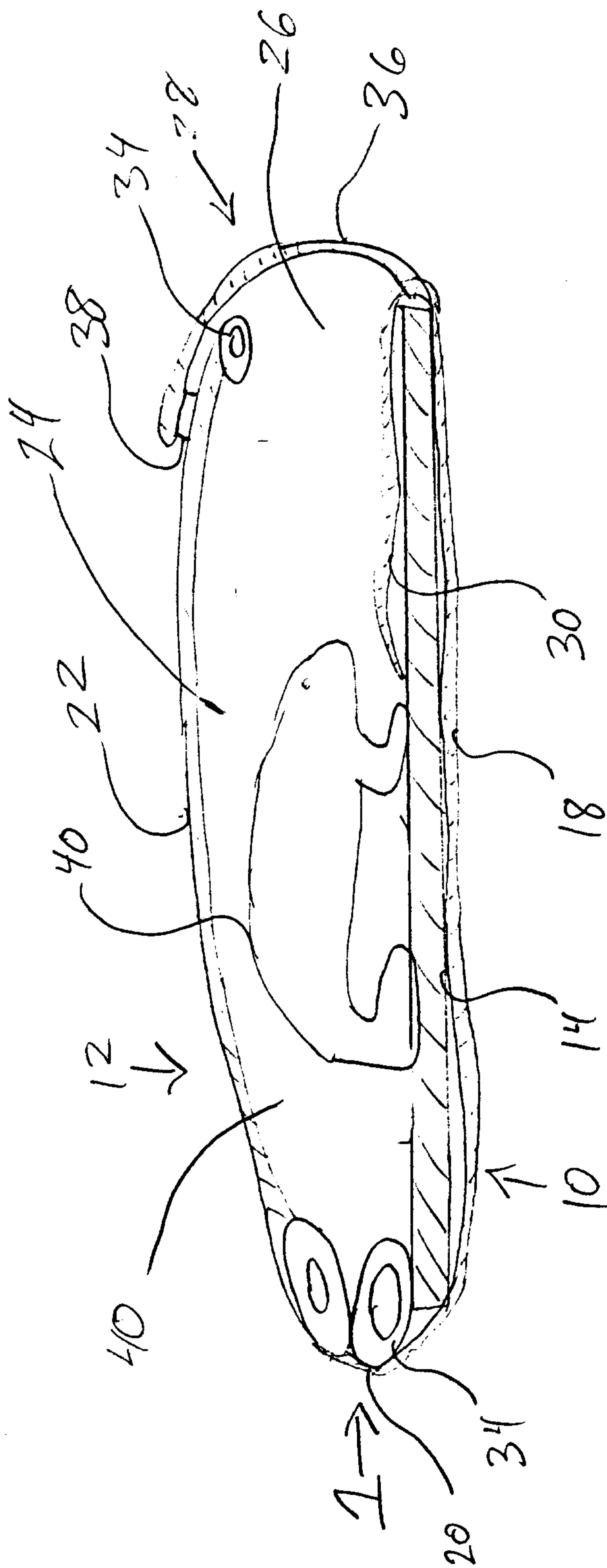


FIG. 4

INVENTOR: THERESA LENNIE GAY RICHARD
By: ADE & COMPANY

