

(19) World Intellectual Property Organization
International Bureau



(43) International Publication Date
7 August 2003 (07.08.2003)

PCT

(10) International Publication Number
WO 03/064766 A3

(51) International Patent Classification⁷: **D21H 23/50**,
B05D 1/04, D21H 19/38

(21) International Application Number: PCT/FI03/00079

(22) International Filing Date: 31 January 2003 (31.01.2003)

(25) Filing Language: Finnish

(26) Publication Language: English

(30) Priority Data:
20020182 31 January 2002 (31.01.2002) FI

(71) Applicant (for all designated States except US): **RAISIO CHEMICALS LTD** [FI/FI]; Raisionkaari 60, FIN-21200 Raisio (FI).

(72) Inventors; and

(75) Inventors/Applicants (for US only): **KÄPYNEN, Keijo** [FI/FI]; Kaljaniementie 246, FIN-56120 Salosaari (FI).
MIETTINEN, Päivi [FI/FI]; Rantatie 7, FIN-23100

Mynämäki (FI). **NURMI, Kari** [FI/FI]; Valopolku 1, FIN-21200 Raisio (FI). **TAMMI, Anna-Liisa** [FI/FI]; Kettutie 4, FIN-21530 Paimio (FI). **TEIRFOLK, Jan-Erik** [FI/FI]; Kaitaistentie 3 I, FIN-20320 Turku (FI).

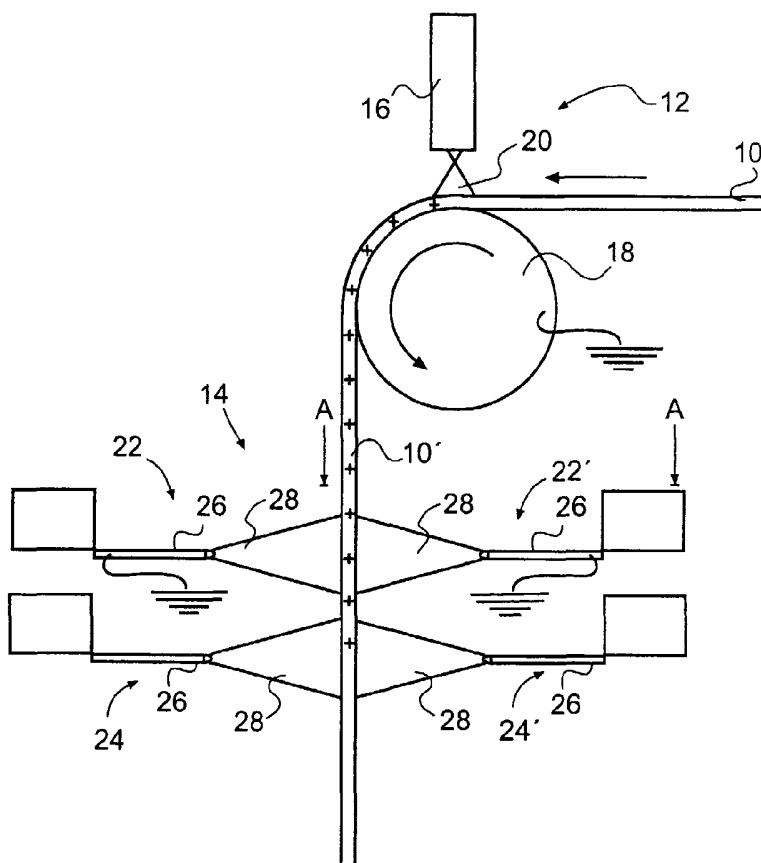
(74) Agent: **TURUN PATENTTITOIMISTO OY**; P. O. Box 99, FIN-20521 Turku (FI).

(81) Designated States (national): AE, AG, AL, AM, AT (utility model), AT, AU, AZ, BA, BB, BG, BR, BY, BZ, CA, CH, CN, CO, CR, CU, CZ (utility model), CZ, DE (utility model), DE, DK (utility model), DK, DM, DZ, EC, EE (utility model), EE, ES, FI (utility model), FI, GB, GD, GE, GH, GM, HR, HU, ID, IL, IN, IS, JP, KE, KG, KP, KR, KZ, LC, LK, LR, LS, LT, LU, LV, MA, MD, MG, MK, MN, MW, MX, MZ, NO, NZ, OM, PH, PL, PT, RO, RU, SC, SD, SE, SG, SK (utility model), SK, SL, TJ, TM, TN, TR, TT, TZ, UA, UG, US, UZ, VC, VN, YU, ZA, ZM, ZW.

(84) Designated States (regional): ARIPO utility model (GH), ARIPO patent (GH), ARIPO utility model (GM),

[Continued on next page]

(54) Title: A COATING METHOD INVOLVING THE USE OF AN ELECTRICAL FIELD



(57) Abstract: A method for coating a paper or paper board web at least on one side of the web by a coating color containing pigment particles and by applying a spray technique. The method comprises at least the following successive steps: (a) the web is electrically charged by conducting the web through an electrostatic field that is created between an electrode and a counter-electrode; (b) the web that was electrically charged in step (a) is conducted to the coating station, and (c) the web conducted to the coating station is coated at least on one side by said coating color containing pigment particles and by applying the spray technique.

WO 03/064766 A3



ARIPO patent (GM), ARIPO utility model (KE), ARIPO patent (KE), ARIPO utility model (LS), ARIPO patent (LS), ARIPO utility model (MW), ARIPO patent (MW), ARIPO utility model (MZ), ARIPO patent (MZ), ARIPO utility model (SD), ARIPO patent (SD), ARIPO utility model (SL), ARIPO patent (SL), ARIPO utility model (SZ), ARIPO patent (SZ), ARIPO utility model (TZ), ARIPO patent (TZ), ARIPO utility model (UG), ARIPO patent (UG), ARIPO utility model (ZM), ARIPO patent (ZM), ARIPO utility model (ZW), ARIPO patent (ZW), Eurasian patent (AM, AZ, BY, KG, KZ, MD, RU, TJ, TM), European patent (AT, BE, BG, CH, CY, CZ, DE, DK, EE, ES, FI, FR, GB, GR, HU, IE, IT, LU, MC, NL, PT, SE, SI,

SK, TR), OAPI patent (BF, BJ, CF, CG, CI, CM, GA, GN, GQ, GW, ML, MR, NE, SN, TD, TG).

Published:

— *with international search report*

(88) Date of publication of the international search report:

13 November 2003

For two-letter codes and other abbreviations, refer to the "Guidance Notes on Codes and Abbreviations" appearing at the beginning of each regular issue of the PCT Gazette.

INTERNATIONAL SEARCH REPORT

Internal Application No
PCT/FI 03/00079

A. CLASSIFICATION OF SUBJECT MATTER
IPC 7 D21H23/50 B05D1/04 D21H19/38

According to International Patent Classification (IPC) or to both national classification and IPC

B. FIELDS SEARCHED

Minimum documentation searched (classification system followed by classification symbols)
IPC 7 D21H B05D B05B

Documentation searched other than minimum documentation to the extent that such documents are included in the fields searched

Electronic data base consulted during the international search (name of data base and, where practical, search terms used)

EPO-Internal, WPI Data

C. DOCUMENTS CONSIDERED TO BE RELEVANT

Category *	Citation of document, with indication, where appropriate, of the relevant passages	Relevant to claim No.
Y A	EP 0 258 016 A (MINNESOTA MINING & MFG) 2 March 1988 (1988-03-02) the whole document	1-14,18, 19,22 15-17, 20,21
Y A	EP 0 530 752 A (FUJI PHOTO FILM CO LTD) 10 March 1993 (1993-03-10) the whole document	1-14,18, 19,22 15-17, 20,21
A	WO 01 28693 A (HAHNE ERNST AUGUST ;KNOPF FRANZ (DE); ELTEX ELEKTROSTATIK GMBH (DE) 26 April 2001 (2001-04-26) the whole document	1-22
A	US 6 248 407 B1 (HESS HARALD) 19 June 2001 (2001-06-19) the whole document	1-22
	-/--	

Further documents are listed in the continuation of box C.

Patent family members are listed in annex.

* Special categories of cited documents :

"A" document defining the general state of the art which is not considered to be of particular relevance

"E" earlier document but published on or after the international filing date

"L" document which may throw doubts on priority claim(s) or which is cited to establish the publication date of another citation or other special reason (as specified)

"O" document referring to an oral disclosure, use, exhibition or other means

"P" document published prior to the international filing date but later than the priority date claimed

"T" later document published after the international filing date or priority date and not in conflict with the application but cited to understand the principle or theory underlying the invention

"X" document of particular relevance; the claimed invention cannot be considered novel or cannot be considered to involve an inventive step when the document is taken alone

"Y" document of particular relevance; the claimed invention cannot be considered to involve an inventive step when the document is combined with one or more other such documents, such combination being obvious to a person skilled in the art.

"&" document member of the same patent family

Date of the actual completion of the international search

20 May 2003

Date of mailing of the international search report

25. 07. 2003

Name and mailing address of the ISA

European Patent Office, P.B. 5818 Patentlaan 2
NL - 2280 HV Rijswijk
Tel. (+31-70) 340-2040, Tx. 31 651 epo nl,
Fax: (+31-70) 340-3016

Authorized officer

SUSANNA LINDFORS / ELY

INTERNATIONAL SEARCH REPORT

Internat Application No
PCT/FI 03/00079

C.(Continuation) DOCUMENTS CONSIDERED TO BE RELEVANT

Category °	Citation of document, with indication, where appropriate, of the relevant passages	Relevant to claim No.
A	US 5 120 365 A (KOGLER WERNER) 9 June 1992 (1992-06-09) the whole document	15-17, 20,21
A	--- EP 0 924 342 A (ECC INT LTD) 23 June 1999 (1999-06-23) the whole document -----	15-17, 20,21

INTERNATIONAL SEARCH REPORT

Information on patent family members

Internat I Application No

PCT/FI 03/00079

Patent document cited in search report		Publication date	Patent family member(s)	Publication date
EP 0258016	A	02-03-1988	US 4748043 A	31-05-1988
			AU 601472 B2	13-09-1990
			AU 7725087 A	03-03-1988
			BR 8704407 A	19-04-1988
			CA 1260328 A1	26-09-1989
			DE 3765213 D1	31-10-1990
			EP 0258016 A1	02-03-1988
			JP 2566983 B2	25-12-1996
			JP 63069555 A	29-03-1988
			KR 9505188 B1	19-05-1995
			MX 165819 B	07-12-1992
			ZA 8706454 A	26-04-1989
			EP 0530752	A
JP 5061151 A	12-03-1993			
DE 69228160 D1	25-02-1999			
DE 69228160 T2	20-05-1999			
EP 0530752 A1	10-03-1993			
WO 0128693	A	26-04-2001	DE 19950009 A1	26-04-2001
			WO 0128693 A1	26-04-2001
			EP 1233834 A1	28-08-2002
			JP 2003512156 T	02-04-2003
US 6248407	B1	19-06-2001	DE 19820432 A1	11-11-1999
			EP 0955408 A2	10-11-1999
			JP 11333341 A	07-12-1999
			US 6503325 B1	07-01-2003
			US 2001048976 A1	06-12-2001
US 5120365	A	09-06-1992	AT 111142 T	15-09-1994
			AU 615520 B2	03-10-1991
			AU 3102189 A	07-09-1989
			DE 3907142 A1	21-09-1989
			DE 58908295 D1	13-10-1994
			EP 0332102 A2	13-09-1989
			ES 2063773 T3	16-01-1995
			FI 891051 A ,B,	08-09-1989
			JP 2006560 A	10-01-1990
			JP 7091487 B	04-10-1995
			EP 0924342	A
JP 11335588 A	07-12-1999			