



US00D554604S

(12) **United States Design Patent**  
**Sogabe**

(10) **Patent No.:** **US D554,604 S**

(45) **Date of Patent:** **\*\* Nov. 6, 2007**

(54) **COMBINED DISC PLAYER AND AMPLIFIER**

D512,974 S \* 12/2005 Nasrallah ..... D14/136

(75) Inventor: **Takashi Sogabe**, Tokyo (JP)

**OTHER PUBLICATIONS**

(73) Assignee: **Sony Corporation**, Tokyo (JP)

Web page "DAV-X1," [http://www.sonystyle.com/is-bin/INTERSHOP.enfinity/eCS/Store/en/-/USD/SY\\_Dis...](http://www.sonystyle.com/is-bin/INTERSHOP.enfinity/eCS/Store/en/-/USD/SY_Dis...), 1 sheet, Sony (Feb. 2006).

(\*\*) Term: **14 Years**

\* cited by examiner

(21) Appl. No.: **29/258,279**

*Primary Examiner*—Nanda Bondade

(22) Filed: **Apr. 20, 2006**

(74) *Attorney, Agent, or Firm*—Rader, Fishman & Grauer PLLC

(30) **Foreign Application Priority Data**

(57) **CLAIM**

Jan. 6, 2006 (JP) ..... D2006-000133

The ornamental design for a combined disc player and amplifier, as shown.

(51) **LOC (8) Cl.** ..... **14-01**

(52) **U.S. Cl.** ..... **D14/136; D14/168**

(58) **Field of Classification Search** ..... D14/135–136, D14/156–157, 167–168, 198, 188, 217, 257, D14/258, 445; 360/99.02, 99.07; 369/75.11, 369/75.21, 77.21, 77.11; 720/612, 619, 647, 720/655; 455/344, 347–351

**DESCRIPTION**

See application file for complete search history.

FIG. 1 is a perspective view of a combined disc player and amplifier showing my new design;

FIG. 2 is a front elevational view thereof;

FIG. 3 is a rear elevational view thereof;

FIG. 4 is a left side elevational view thereof;

FIG. 5 is a right side elevational view thereof;

FIG. 6 is a top plan view thereof; and,

FIG. 7 is a bottom plan view thereof.

(56) **References Cited**

**U.S. PATENT DOCUMENTS**

- D432,523 S \* 10/2000 Grinkus et al. .... D14/217
- D460,435 S \* 7/2002 Carbone ..... D14/188
- D479,519 S 9/2003 Hisatsune
- D500,299 S \* 12/2004 Obata ..... D14/156

**1 Claim, 7 Drawing Sheets**

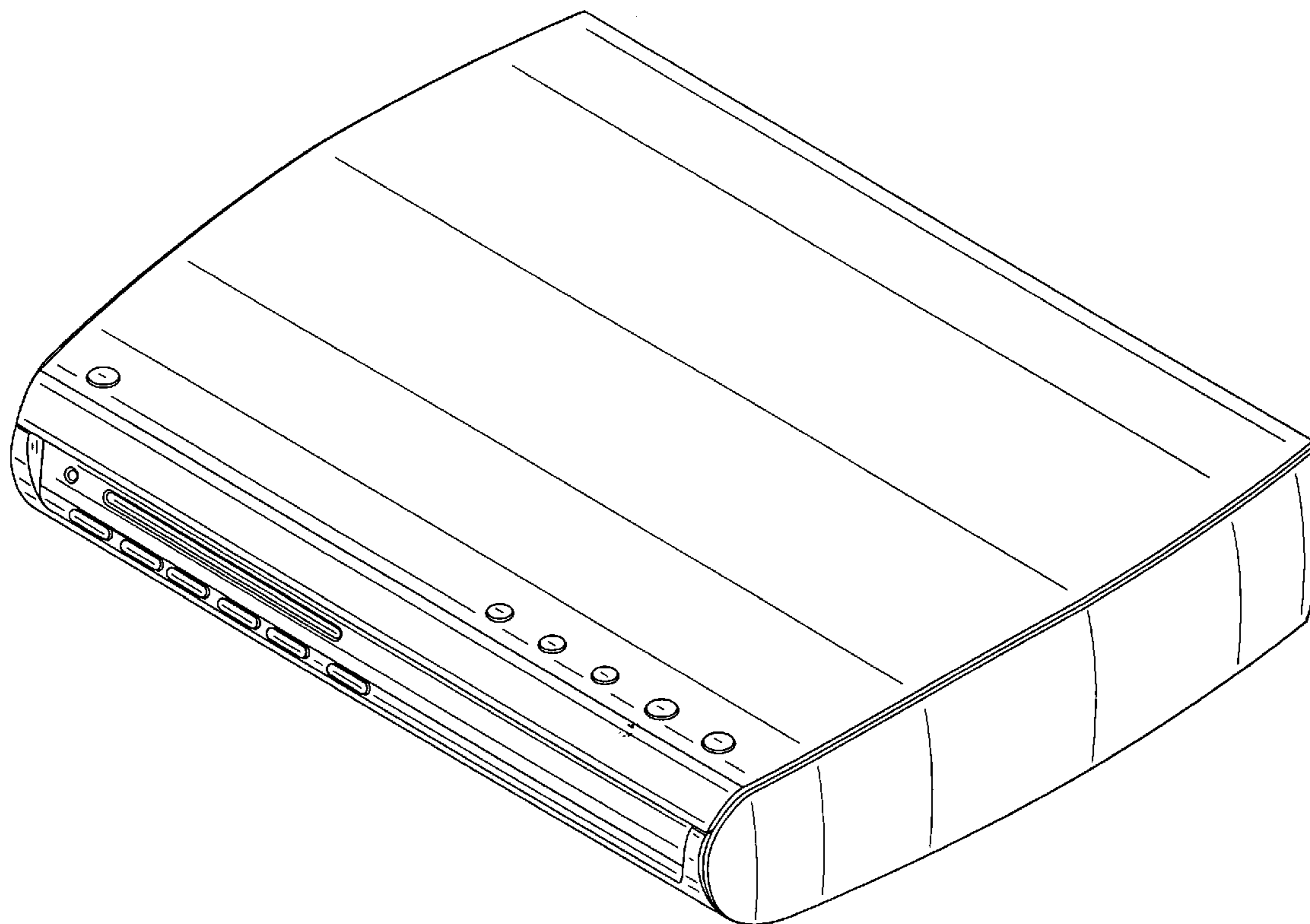


Fig. 1

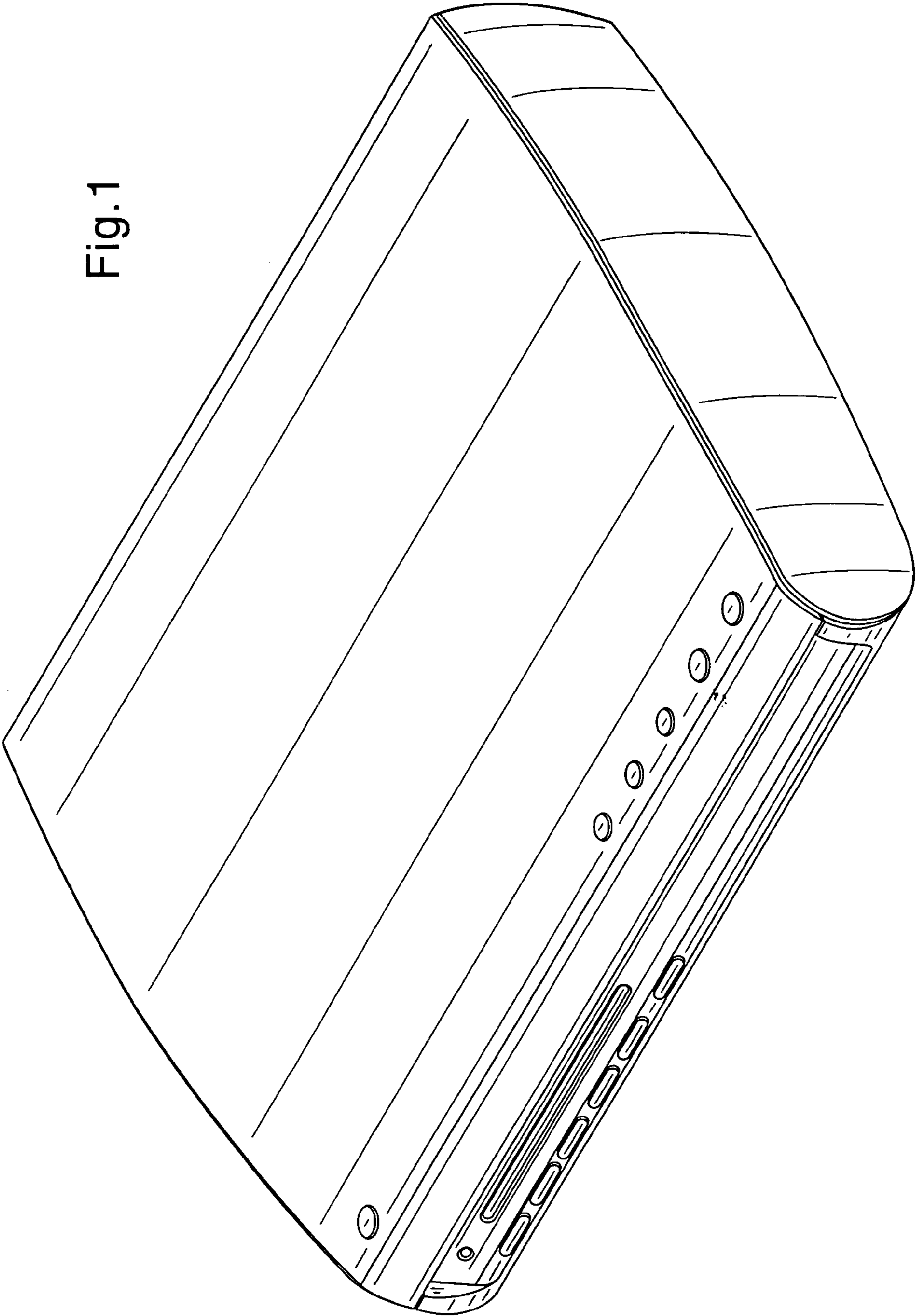


Fig. 2

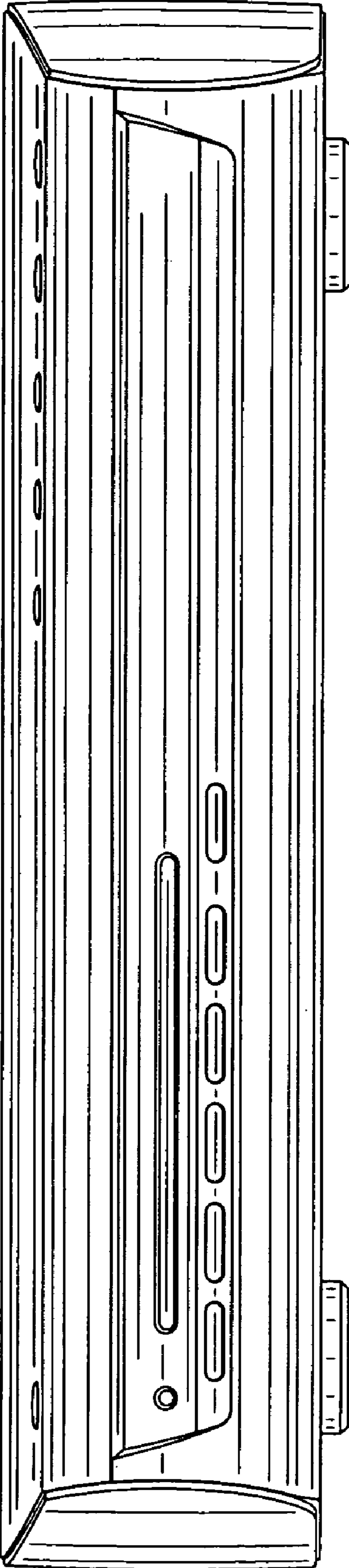


Fig. 3

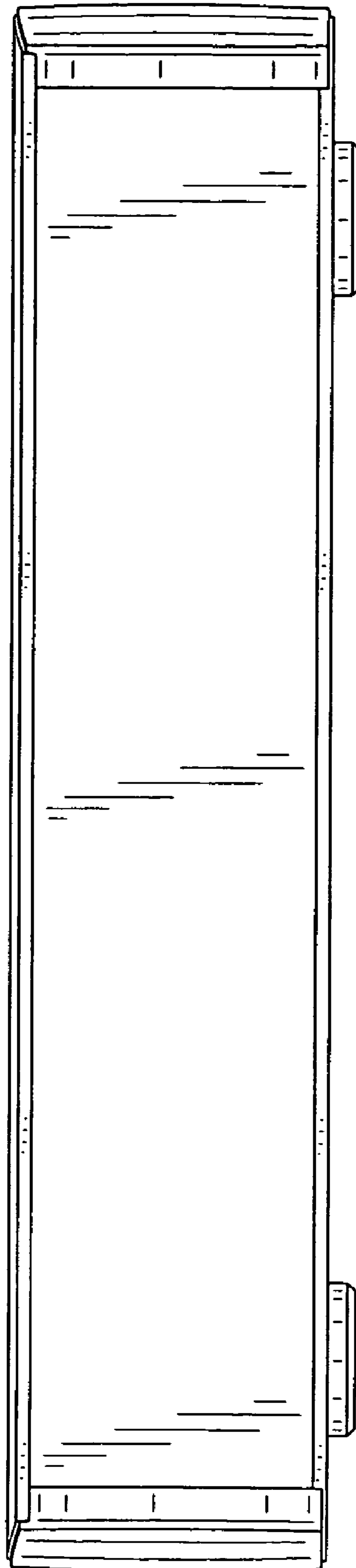


Fig. 4

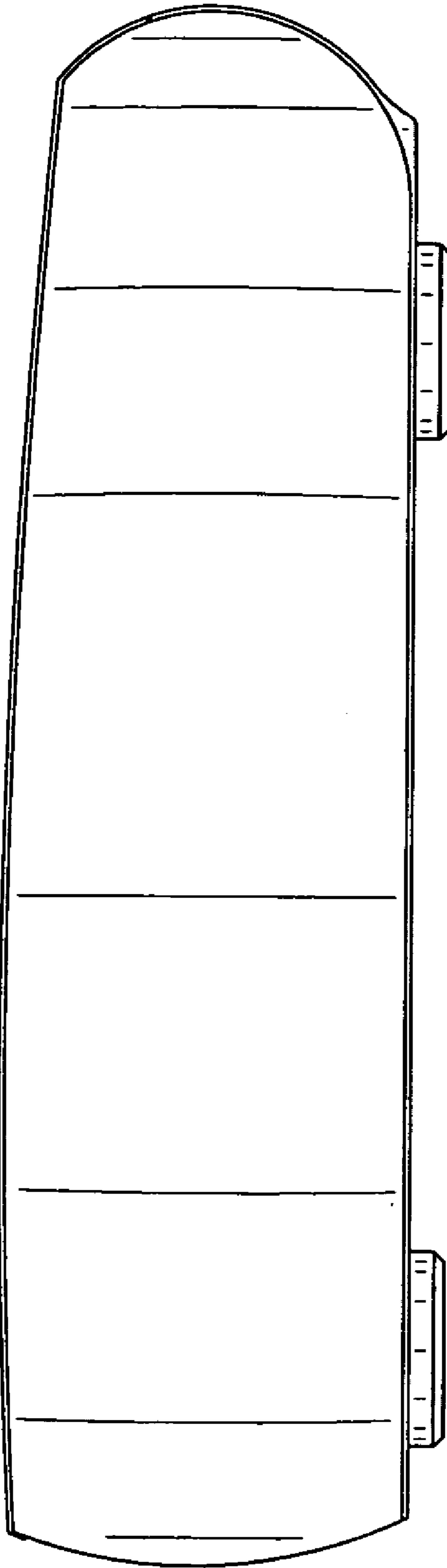
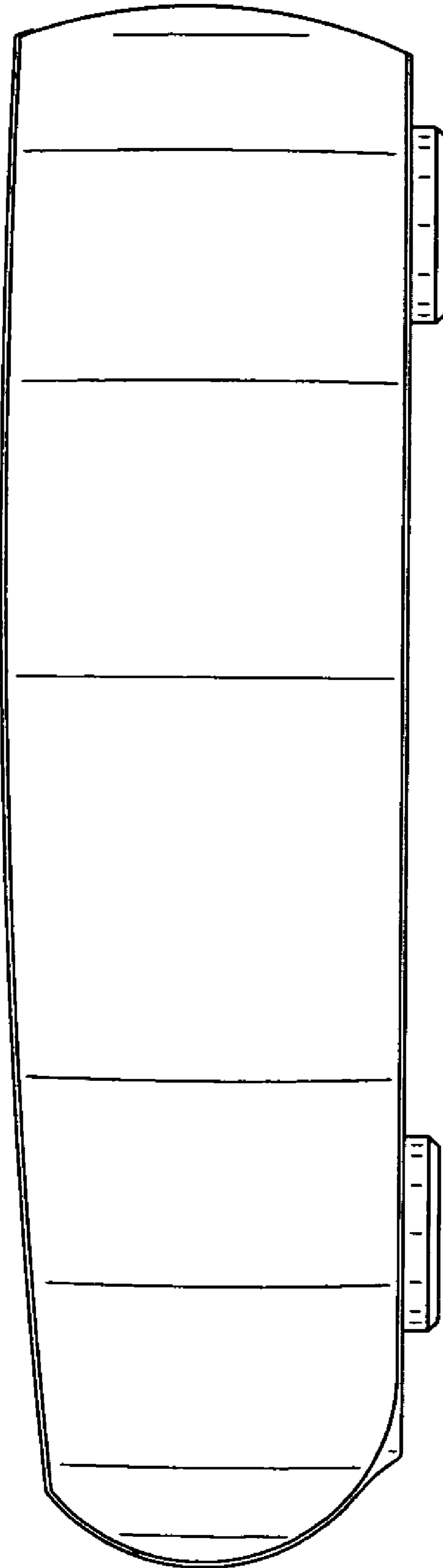


Fig. 5



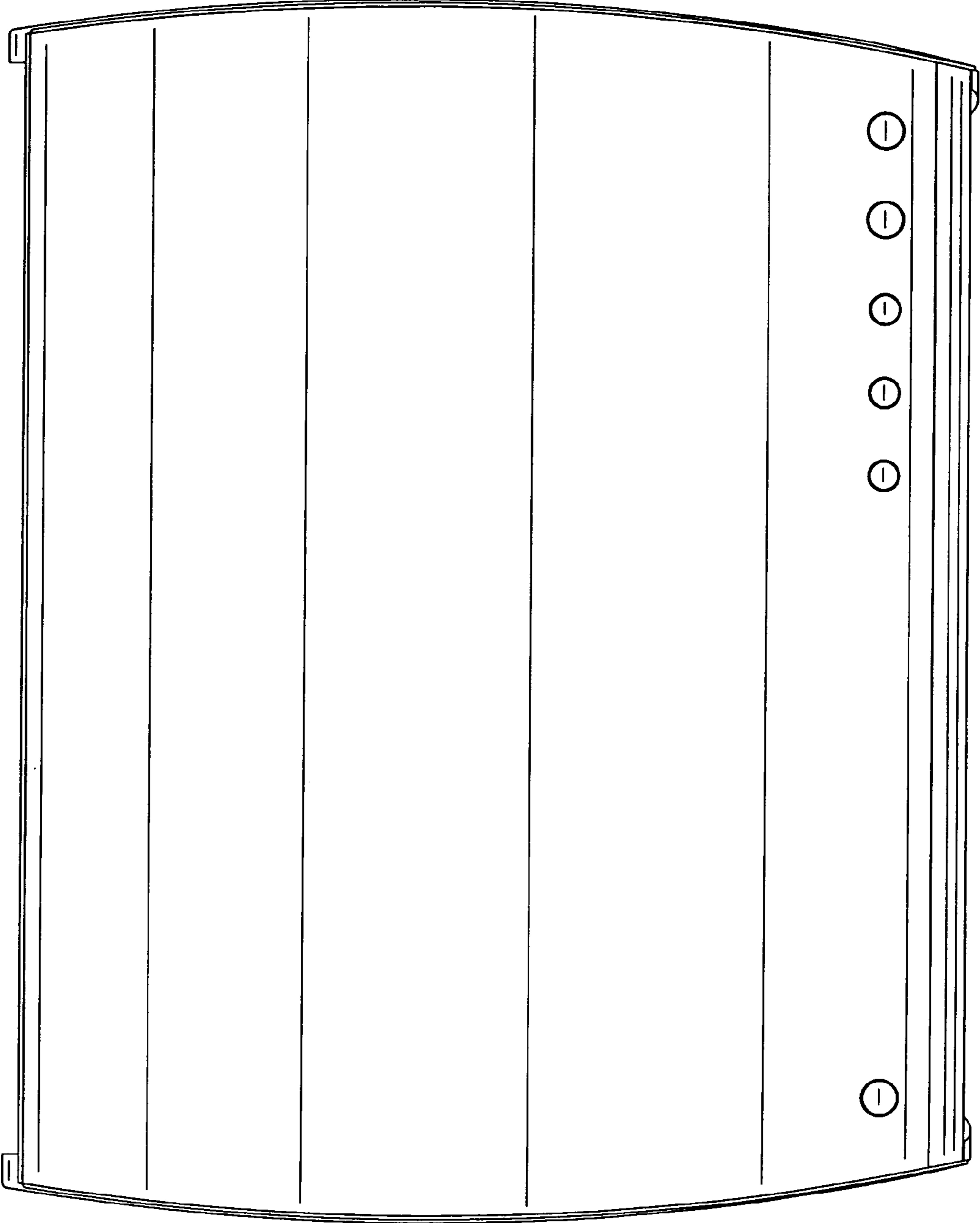


Fig. 6

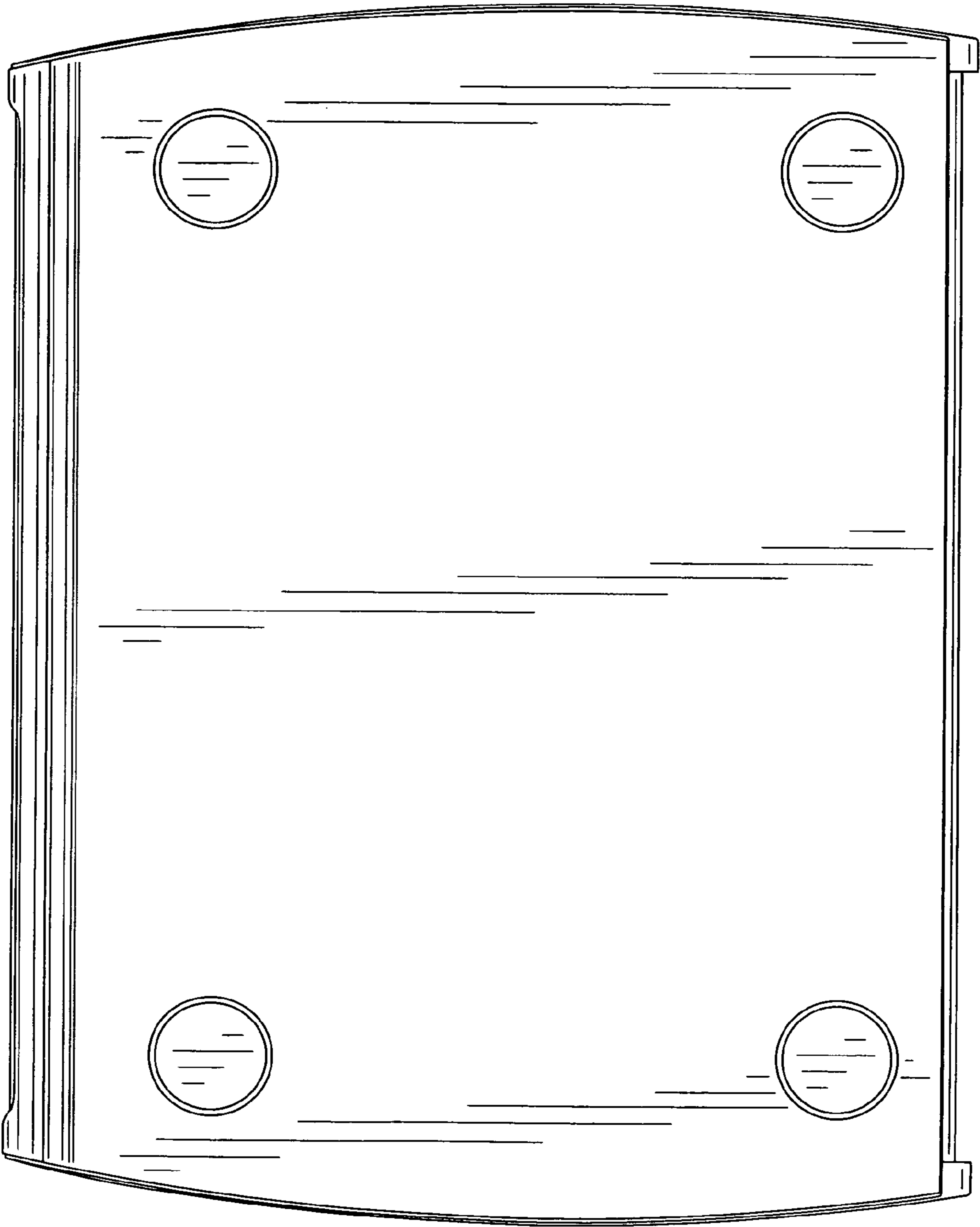


Fig. 7