



US0D1028016S

(12) **United States Design Patent**
Dillehay

(10) **Patent No.:** **US D1,028,016 S**

(45) **Date of Patent:** **** May 21, 2024**

(54) **AIR TO WATER INTERCOOLER**

FOREIGN PATENT DOCUMENTS

(71) Applicant: **No Limit Enterprises, Inc.**, Moorpark, CA (US)

WO 2014010673 A1 1/2014

(72) Inventor: **Michael Dillehay**, Moorpark, CA (US)

OTHER PUBLICATIONS

(73) Assignee: **No Limit Enterprises, Inc.**, Moorpark, CA (US)

No limit fabrication, 67HDIC—6.7 HD Air To Water Intercooler, (site visited Dec. 18, 2023), No Limit Website, URL:<https://nolimitfabrication.com/i-30533281-no-limit-fabrication-6-7-hd-air-to-water-intercooler.html> (Year: 2023).*

(**) Term: **15 Years**

(Continued)

(21) Appl. No.: **29/920,311**

Primary Examiner — Calvin E Vansant

(22) Filed: **Dec. 8, 2023**

Assistant Examiner — Mark T. Philipps

(51) **LOC (14) Cl.** **15-01**

(74) *Attorney, Agent, or Firm* — Gurr Brande & Spendlove, PLLC; Robert A. Gurr

(52) **U.S. Cl.**

USPC **D15/5**

(58) **Field of Classification Search**

USPC D15/5; D12/163–166, 218, 216
CPC F28F 9/001; F28F 9/007; F28F 7/00; F28F 9/00; F28F 9/02; F28D 1/05366; F28D 1/0435; F01P 2060/02; F01P 2060/14; F01P 2003/022

(57) **CLAIM**

The ornamental design for an air to water intercooler, as shown and described.

See application file for complete search history.

DESCRIPTION

(56) **References Cited**

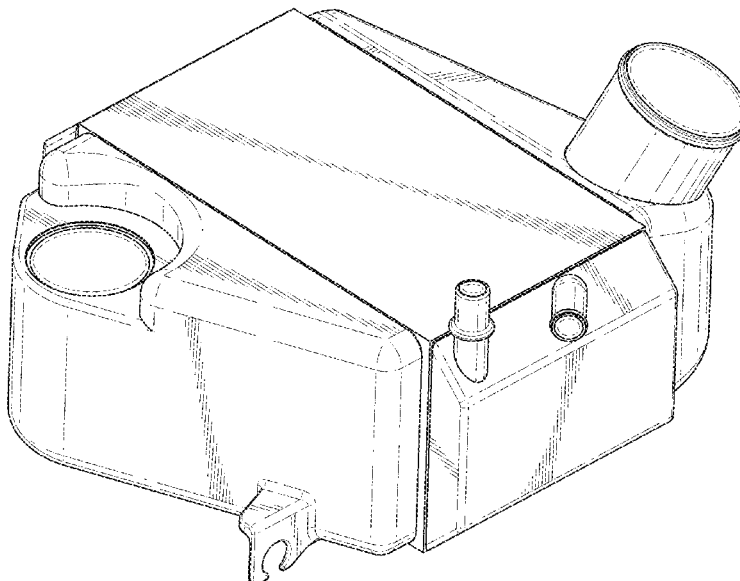
U.S. PATENT DOCUMENTS

D246,977 S	1/1978	Campbell	
5,547,019 A	8/1996	Iacullo	
D534,185 S	12/2006	Chan	
D637,207 S	5/2011	Alberti	
D647,436 S *	10/2011	Sullivan	D12/166
9,249,718 B2	2/2016	Yoon et al.	
9,335,099 B2	5/2016	Garret et al.	
D890,674 S	7/2020	Tafe	
D892,971 S	8/2020	Wettig et al.	
D907,063 S	1/2021	Wettig et al.	
11,035,508 B2	6/2021	Kang et al.	
11,060,803 B2	7/2021	Kolder et al.	
D931,336 S *	9/2021	Tafe	D15/5

(Continued)

FIG. 1 is a top, front, left side perspective view of the air to water intercooler;
FIG. 2 is a bottom, rear, right perspective view of the air to water intercooler;
FIG. 3 is a top plan view of the air to water intercooler;
FIG. 4 is a left side elevation view of the air to water intercooler;
FIG. 5 is a left side elevation view of the air to water intercooler;
FIG. 6 is a rear elevation view of the air to water intercooler;
FIG. 7 is a front elevation view of the air to water intercooler; and,
FIG. 8 is a bottom plan view of the air to water intercooler. The broken lines in the Figures illustrates portions of the air to water intercooler that form no part of the claimed design.

1 Claim, 8 Drawing Sheets



(56) **References Cited**

U.S. PATENT DOCUMENTS

D931,337	S	9/2021	Wettig et al.	
D957,461	S *	7/2022	Liu	D15/5
D957,464	S	7/2022	Wettig et al.	
2006/0278377	A1	12/2006	Martins et al.	
2007/0251232	A1	11/2007	de Kok	
2009/0314483	A1 *	12/2009	Kalbacher	F02B 29/0456 165/185
2012/0291993	A1	11/2012	Concialdi	
2017/0097194	A1	4/2017	Klaves	
2017/0146305	A1	5/2017	Kuczek	
2017/0335746	A1	11/2017	Somhorst	
2018/0087847	A1	3/2018	Bangert	
2019/0309675	A1	10/2019	Nishiyama	
2019/0331266	A1	10/2019	Kang	

OTHER PUBLICATIONS

No Limits Fabrications, “@morrbuilt taking advantage of more torque, better throttle response, and increased reliability with our 6.7 PowerStroke Air to Liquid Intercooler!” (posted on Oct. 10, 2019), Instagram.com, URL:<https://www.instagram.com/p/B3dV87mgqq_/>(year: 2019).

Ford, BC3Z-6K775-B Air to Water Intercooler Assy 2011-2016 Ford 6.7L, (site visited Aug. 27, 2020), Perfdiesel.com, URL:<<https://www.perfdiesel.com/home/4583-bc3z-6k775-b-air-to-water-intercooler-assy-2011-2016-ford-67l.html>>(Year: 2020).

Mishimoto, Ford 6.7L Powerstroke Air-to-Water Performance Intercooler, 2011-2016, (site visited Aug. 27, 2020), Mishimoto.com, URL:<<https://www.mishimoto.com/ford-powerstroke-2011-2016-67l-intercooler.html>> (Year: 2020).

* cited by examiner

FIG. 1

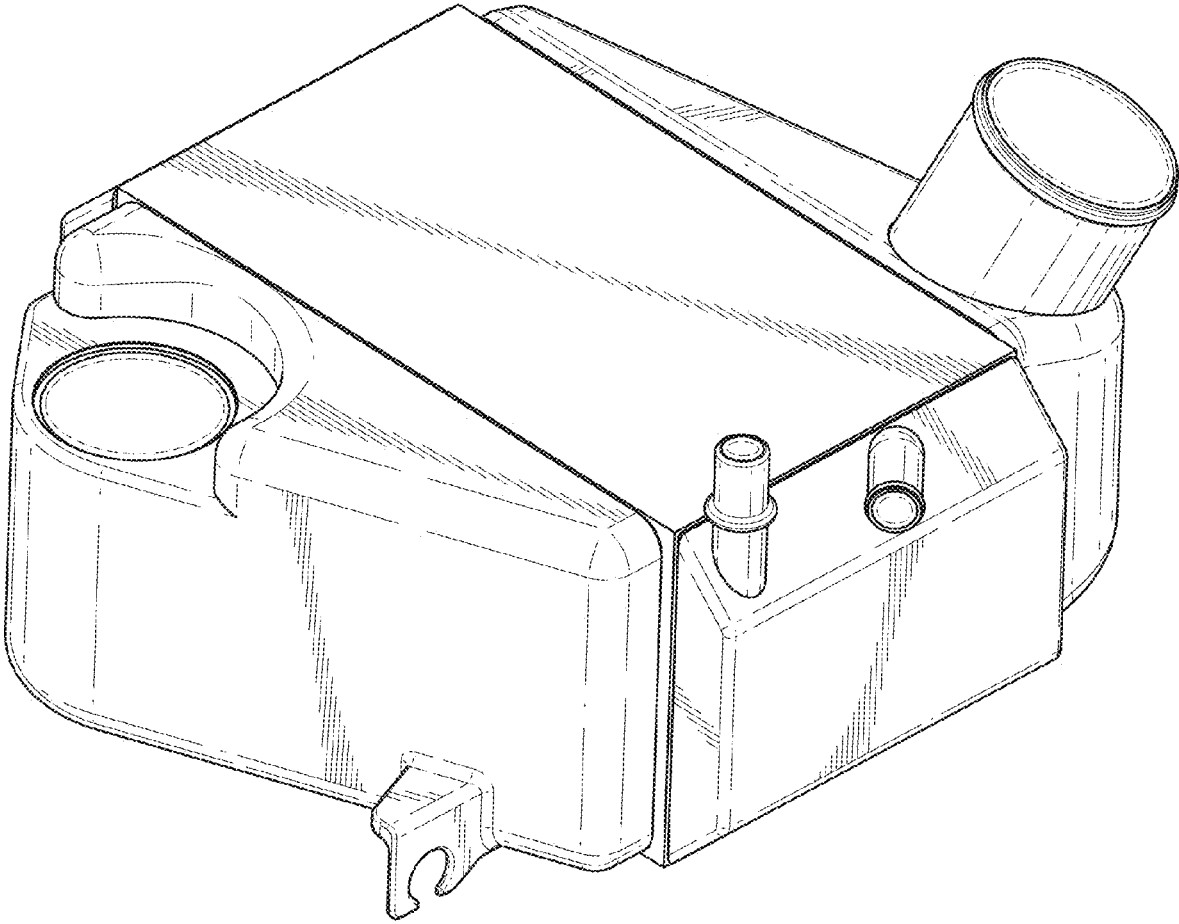


FIG. 2

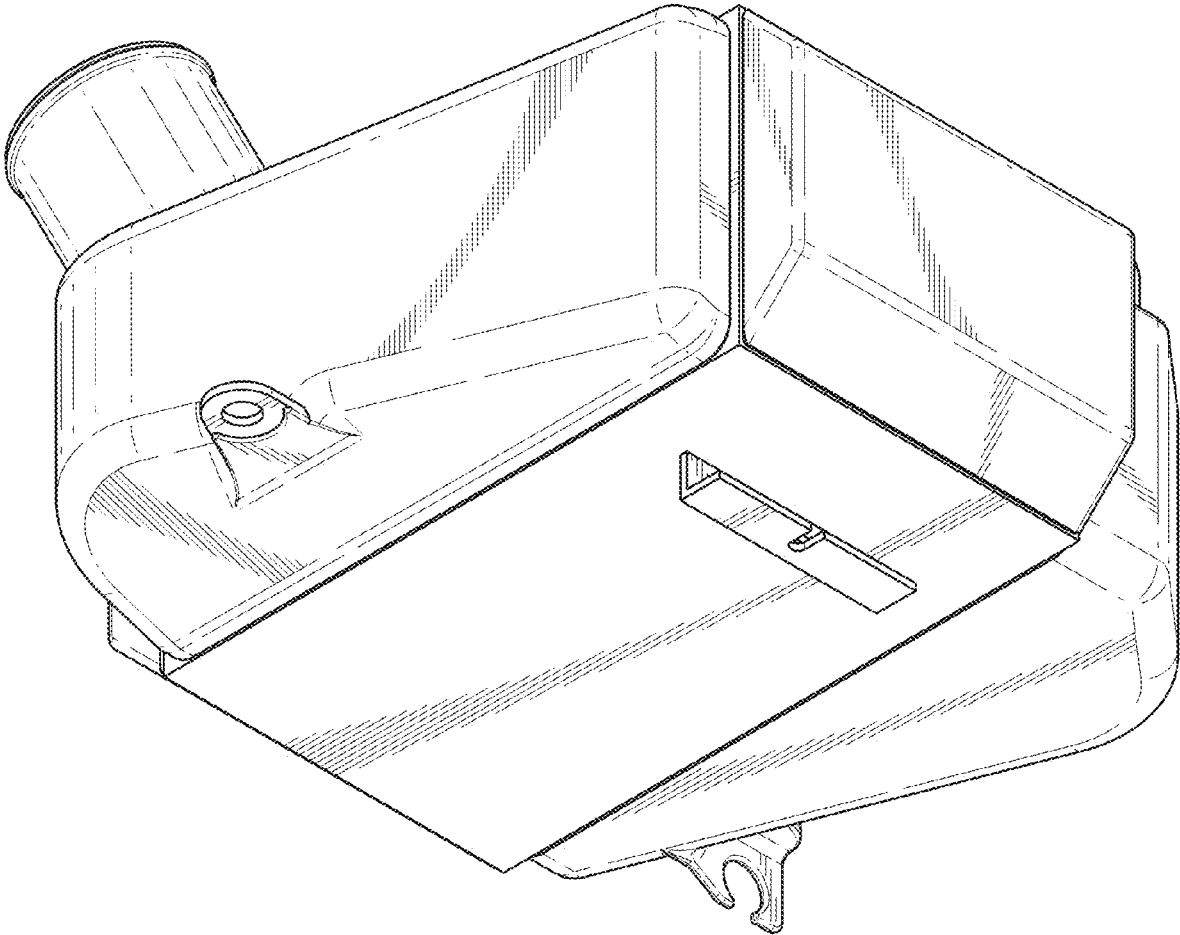


FIG. 3

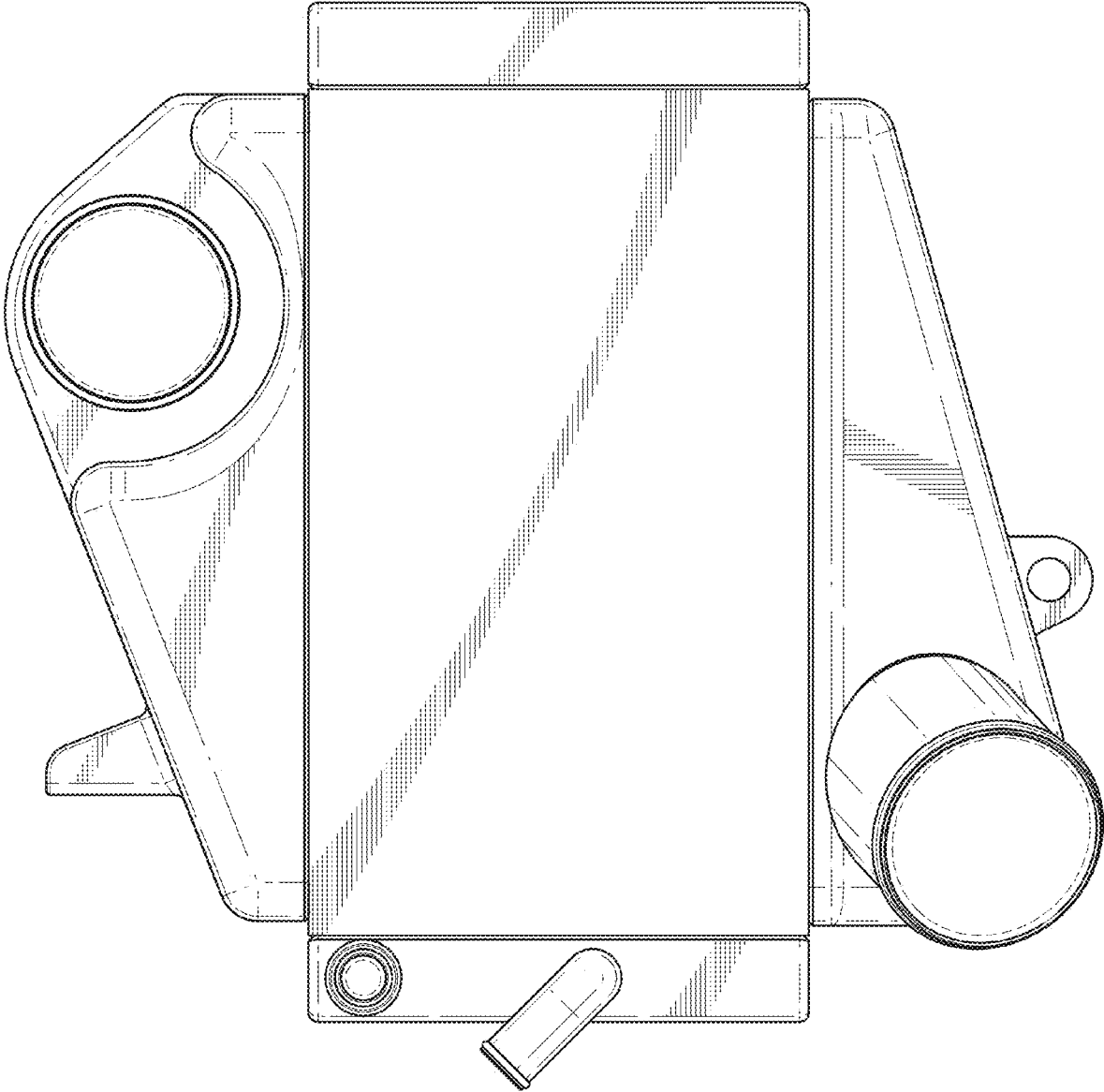


FIG. 4

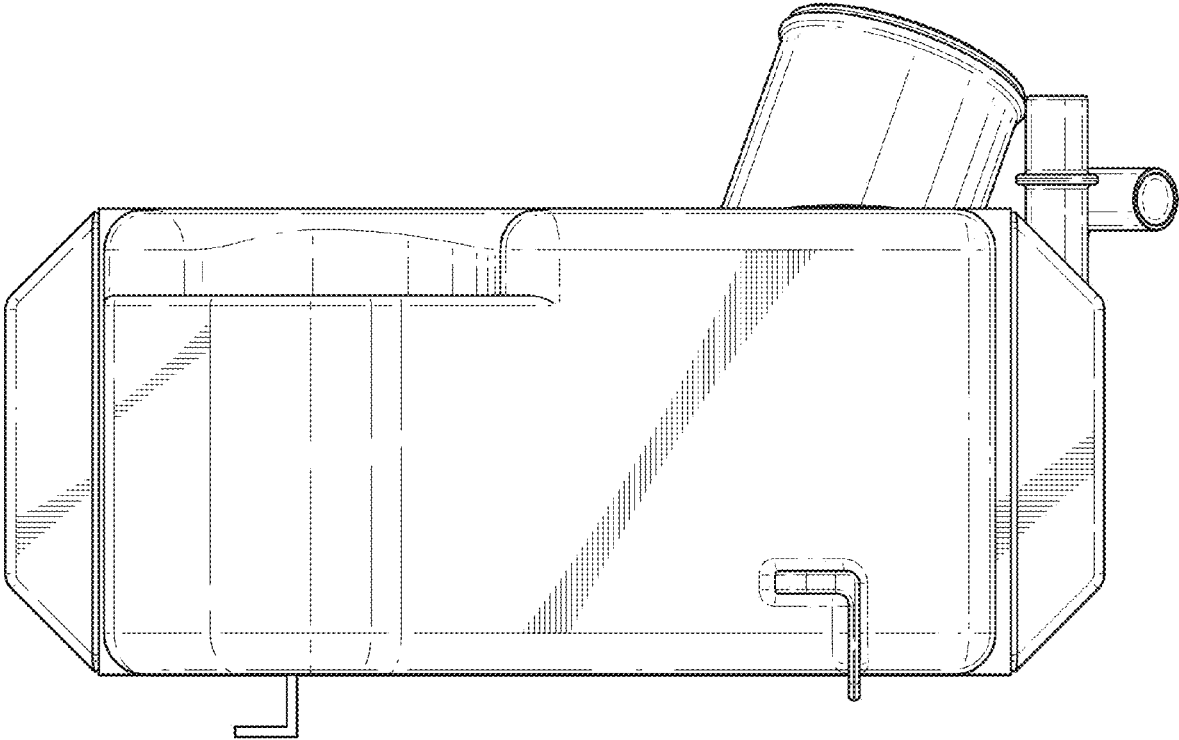


FIG. 5

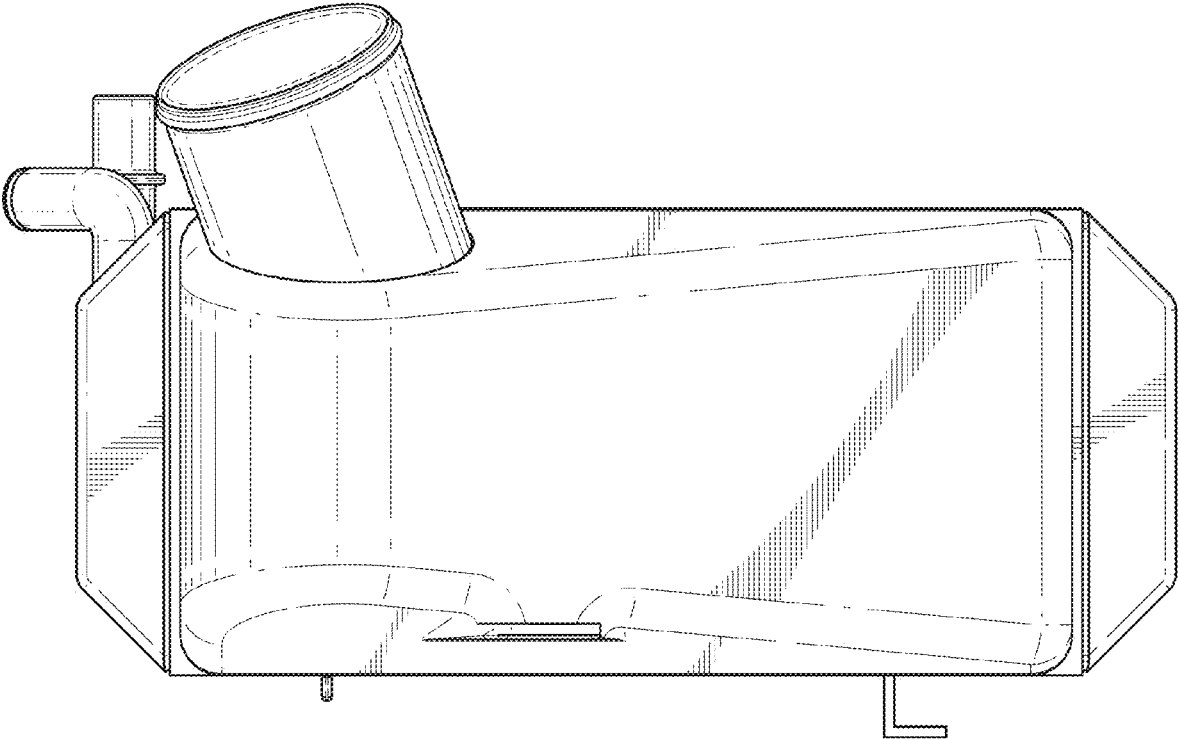


FIG. 6

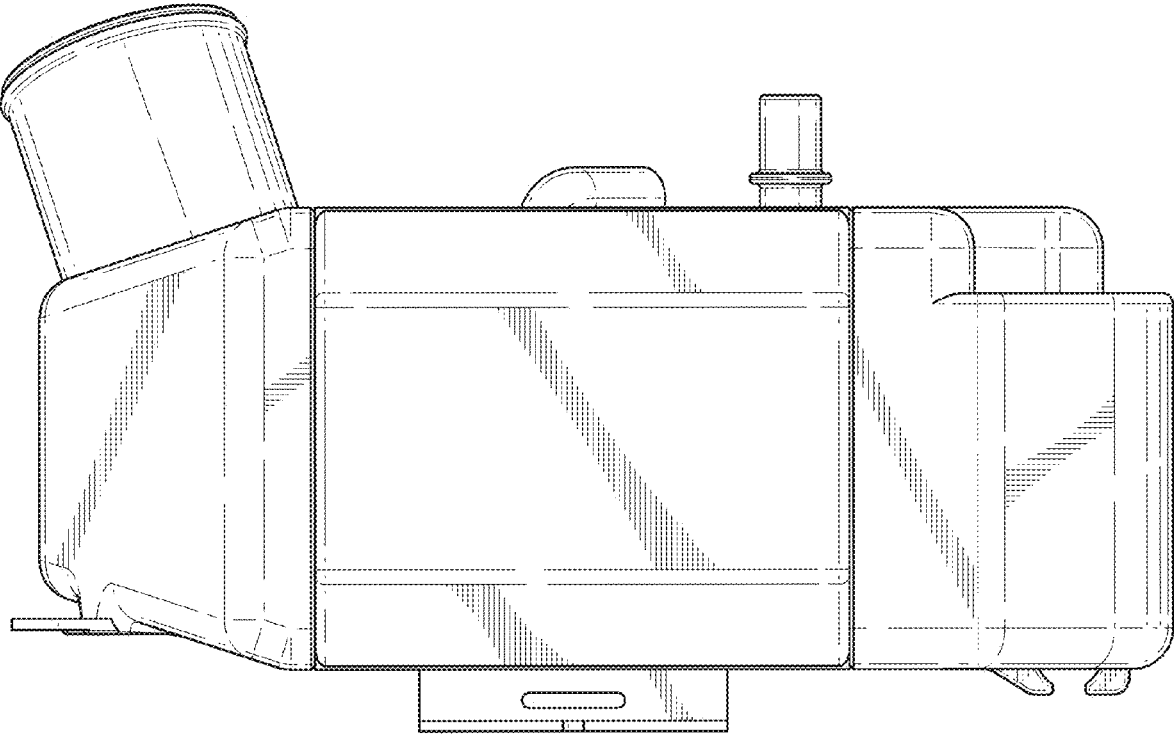


FIG. 7

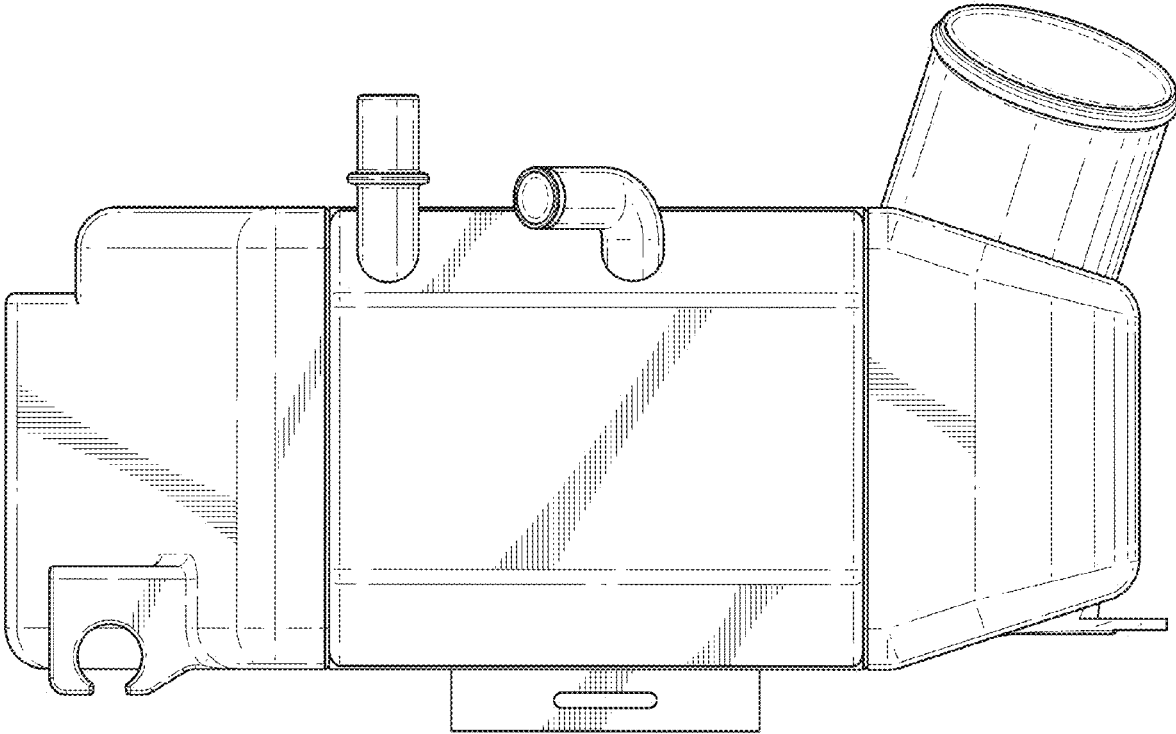


FIG. 8

