



- (51) International Patent Classification:
G06F 13/38 (2006.01)
- (21) International Application Number:
PCT/JP2011/071773
- (22) International Filing Date:
16 September 2011 (16.09.2011)
- (25) Filing Language:
English
- (26) Publication Language:
English
- (30) Priority Data:
2011-023218 4 February 2011 (04.02.2011) JP
2011-045614 2 March 2011 (02.03.2011) JP
- (71) Applicant (for all designated States except US): **KA-BUSHIKI KAISHA TOSHIBA** [JP/JP]; 1-1, Shibaura 1-chome, Minato-ku, Tokyo, 1058001 (JP).
- (72) Inventors; and
- (75) Inventors/Applicants (for US only): **WAKUTSU, Takashi** [JP/JP]. **SAKURAI, Shuichi** [JP/JP]. **ITO, Kuniaki** [JP/JP]. **TSUMAGARI, Yasufumi** [JP/JP].
- (74) Agents: **KURATA, Masatoshi** et al.; c/o **SUZUYE & SUZUYE**, 1-12-9, Toranomon, Minato-ku, Tokyo, 1050001 (JP).
- (81) Designated States (unless otherwise indicated, for every kind of national protection available): AE, AG, AL, AM,

AO, AT, AU, AZ, BA, BB, BG, BH, BR, BW, BY, BZ, CA, CH, CL, CN, CO, CR, CU, CZ, DE, DK, DM, DO, DZ, EC, EE, EG, ES, FI, GB, GD, GE, GH, GM, GT, HN, HR, HU, ID, IL, IN, IS, KE, KG, KM, KN, KP, KR, KZ, LA, LC, LK, LR, LS, LT, LU, LY, MA, MD, ME, MG, MK, MN, MW, MX, MY, MZ, NA, NG, NI, NO, NZ, OM, PE, PG, PH, PL, PT, QA, RO, RS, RU, RW, SC, SD, SE, SG, SK, SL, SM, ST, SV, SY, TH, TJ, TM, TN, TR, TT, TZ, UA, UG, US, UZ, VC, VN, ZA, ZM, ZW.

(84) Designated States (unless otherwise indicated, for every kind of regional protection available): ARIPO (BW, GH, GM, KE, LR, LS, MW, MZ, NA, SD, SL, SZ, TZ, UG, ZM, ZW), Eurasian (AM, AZ, BY, KG, KZ, MD, RU, TJ, TM), European (AL, AT, BE, BG, CH, CY, CZ, DE, DK, EE, ES, FI, FR, GB, GR, HR, HU, IE, IS, IT, LT, LU, LV, MC, MK, MT, NL, NO, PL, PT, RO, RS, SE, SI, SK, SM, TR), OAPI (BF, BJ, CF, CG, CI, CM, GA, GN, GQ, GW, ML, MR, NE, SN, TD, TG).

Published:

- with international search report (Art. 21(3))
- before the expiration of the time limit for amending the claims and to be republished in the event of receipt of amendments (Rule 48.2(h))

(88) Date of publication of the international search report:
4 October 2012

(54) Title: MEMORY SYSTEM CAPABLE OF CONTROLLING WIRELESS COMMUNICATION FUNCTION

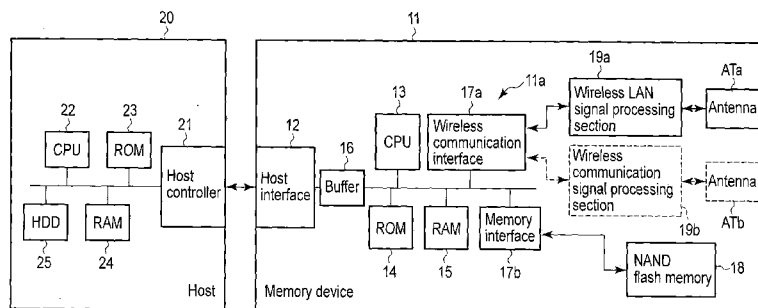


FIG. 1

(57) Abstract: According to one embodiment, a memory system includes a nonvolatile semiconductor memory device, controller, memory, wireless communication function section, and extension register. The extension register which can define the wireless communication function of the wireless communication function section. The controller processes a first command to read data from the extension register, and a second command to write data to the extension register, and the extension register records, first information specifying the type of the wireless communication function, and second information indicating a region of the extension register to which the wireless communication function is assigned, and third information including contents of the wireless communication function.

WO 2012/105083 A3

INTERNATIONAL SEARCH REPORT

International application No
PCT/JP2011/071773

A. CLASSIFICATION OF SUBJECT MATTER
INV. G06F13/38
ADD.

According to International Patent Classification (IPC) or to both national classification and IPC

B. FIELDS SEARCHED
Minimum documentation searched (classification system followed by classification symbols)
G06F

Documentation searched other than minimum documentation to the extent that such documents are included in the fields searched

Electronic data base consulted during the international search (name of data base and, where practicable, search terms used)
EPO-Internal, WPI Data

C. DOCUMENTS CONSIDERED TO BE RELEVANT

Category*	Citation of document, with indication, where appropriate, of the relevant passages	Relevant to claim No.
X	US 2007/094504 A1 (TAKINOSAWA JUN [US] ET AL) 26 April 2007 (2007-04-26) abstract; figures 1-3 paragraph [0002] paragraph [0008] - paragraph [0015] paragraph [0048] paragraph [0051] - paragraph [0090] paragraph [0119] - paragraph [0122] -----	1-20
A	"SDIO Card Specification", SECURE DIGITAL INPUT/OUTPUT (SDIO) CARD SPECIFICATION, SD ASSOCIATION, HOLLISTER, CA, USA, no. Version 1.0, 1 October 2001 (2001-10-01), pages 1-17, XP002493459, Section 6;figure 4 -----	1-20

Further documents are listed in the continuation of Box C.

See patent family annex.

* Special categories of cited documents :

- "A" document defining the general state of the art which is not considered to be of particular relevance
- "E" earlier application or patent but published on or after the international filing date
- "L" document which may throw doubts on priority claim(s) or which is cited to establish the publication date of another citation or other special reason (as specified)
- "O" document referring to an oral disclosure, use, exhibition or other means
- "P" document published prior to the international filing date but later than the priority date claimed

- "T" later document published after the international filing date or priority date and not in conflict with the application but cited to understand the principle or theory underlying the invention
- "X" document of particular relevance; the claimed invention cannot be considered novel or cannot be considered to involve an inventive step when the document is taken alone
- "Y" document of particular relevance; the claimed invention cannot be considered to involve an inventive step when the document is combined with one or more other such documents, such combination being obvious to a person skilled in the art
- "&" document member of the same patent family

Date of the actual completion of the international search 19 July 2012	Date of mailing of the international search report 02/08/2012
---	--

Name and mailing address of the ISA/ European Patent Office, P.B. 5818 Patentlaan 2 NL - 2280 HV Rijswijk Tel. (+31-70) 340-2040, Fax: (+31-70) 340-3016	Authorized officer París Martín, Laura
--	---

INTERNATIONAL SEARCH REPORT

Information on patent family members

International application No

PCT/JP2011/071773

Patent document cited in search report	Publication date	Patent family member(s)	Publication date
US 2007094504	A1	26-04-2007	
		US 2004205268 A1	14-10-2004
		US 2007094504 A1	26-04-2007
		WO 2004077306 A1	10-09-2004
