

US00D553263S

(12) **United States Design Patent**
Kim

(10) **Patent No.:** **US D553,263 S**

(45) **Date of Patent:** **** Oct. 16, 2007**

(54) **PANEL**

(75) Inventor: **Chae-Won Kim**, Seoul (KR)

(73) Assignee: **Hae Kwang Co., Ltd.**,
Chungcheonbuk-Do (KR)

(**) Term: **14 Years**

(21) Appl. No.: **29/240,623**

(22) Filed: **Oct. 14, 2005**

(30) **Foreign Application Priority Data**

Jul. 20, 2005 (KR) 30-2005-0024395

(51) **LOC (8) Cl.** **25-01**

(52) **U.S. Cl.** **D25/155**

(58) **Field of Classification Search** D25/66,
D25/68, 69, 152, 153, 155, 156, 138; 182/112,
182/117, 119, 123, 124, 125, 126, 141, 152,
182/181, 187; 52/507, 670, 673, 676, 650.3,
52/633, 651.1, 656.8, 663, 660, 791.1, 793.1,
52/799.1, 311.1, 311.2, 311.3, 314, 179, 180,
52/177, 799.12; 428/121, 132, 133, 134,
428/135

See application file for complete search history.

(56) **References Cited**

U.S. PATENT DOCUMENTS

3,094,188 A * 6/1963 Eustachio 181/293

D224,703 S * 9/1972 Kiner D25/142
D286,575 S * 11/1986 Saunders D25/156
D406,363 S * 3/1999 Molnar D25/156
D495,067 S * 8/2004 Winig et al. D25/155
D499,189 S * 11/2004 Collison D25/62

* cited by examiner

Primary Examiner—Doris Clark

(74) *Attorney, Agent, or Firm*—Lee, Hong, Degerman, Kang
& Schmadeka

(57) **CLAIM**

The ornamental design for a panel, as shown and described.

DESCRIPTION

FIG. 1 is a front perspective view of a panel;
FIG. 2 is a top plan view thereof;
FIG. 3 is a front elevational view thereof;
FIG. 4 is a left elevational view thereof;
FIG. 5 is a right elevational view thereof;
FIG. 6 is a rear elevational view thereof; and,
FIG. 7 is a bottom plan view thereof.

1 Claim, 4 Drawing Sheets

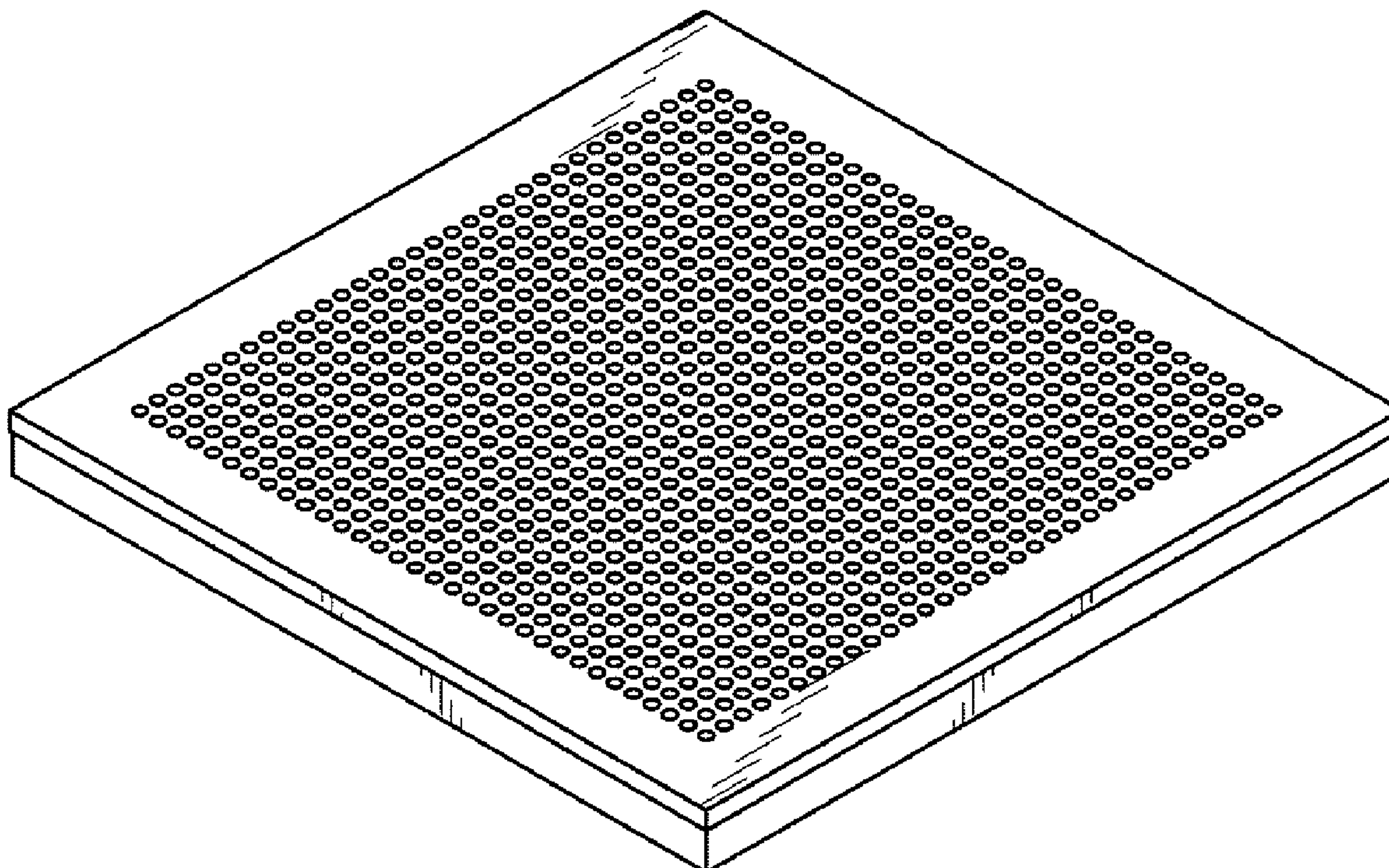


FIG. 1

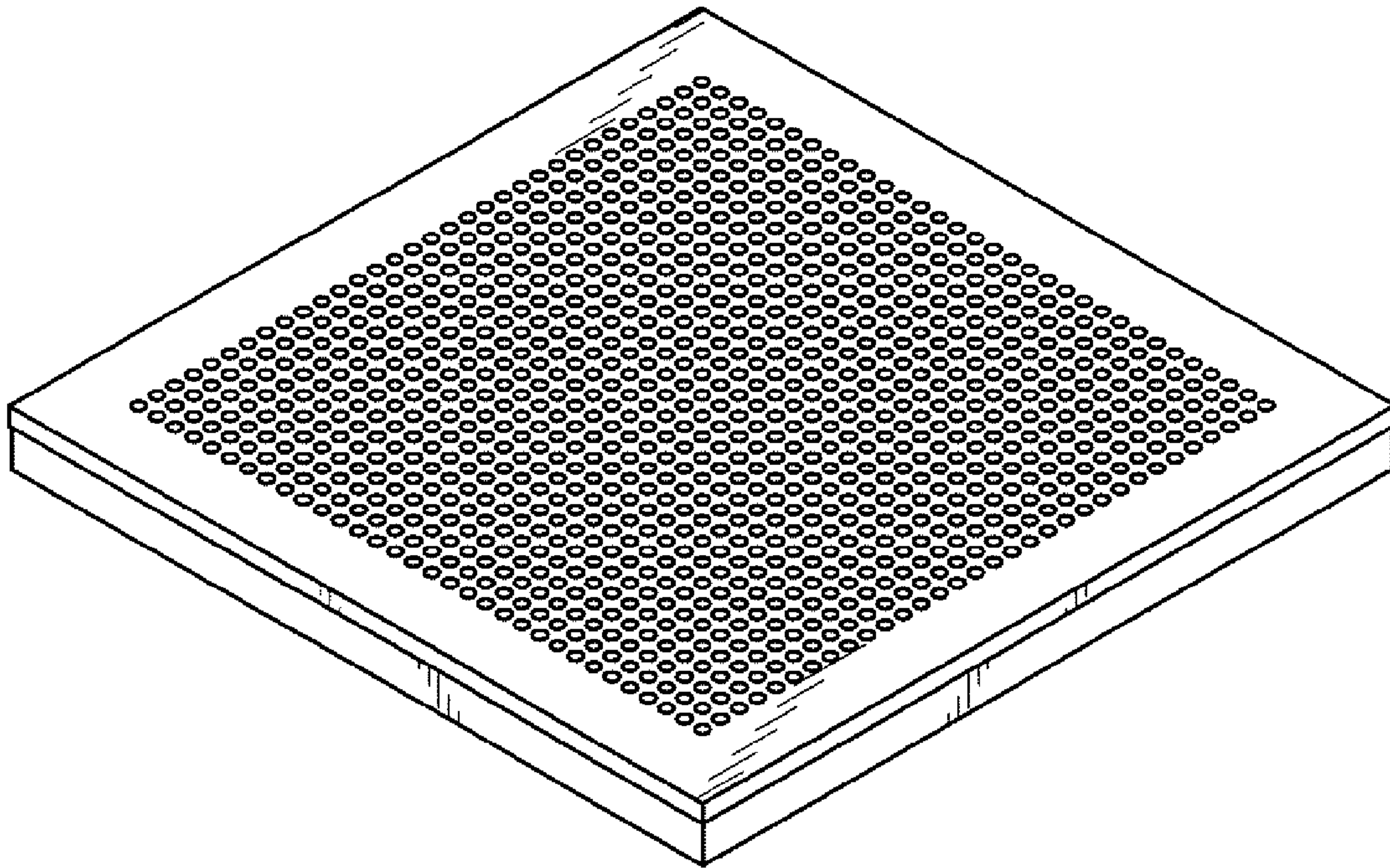


FIG. 2

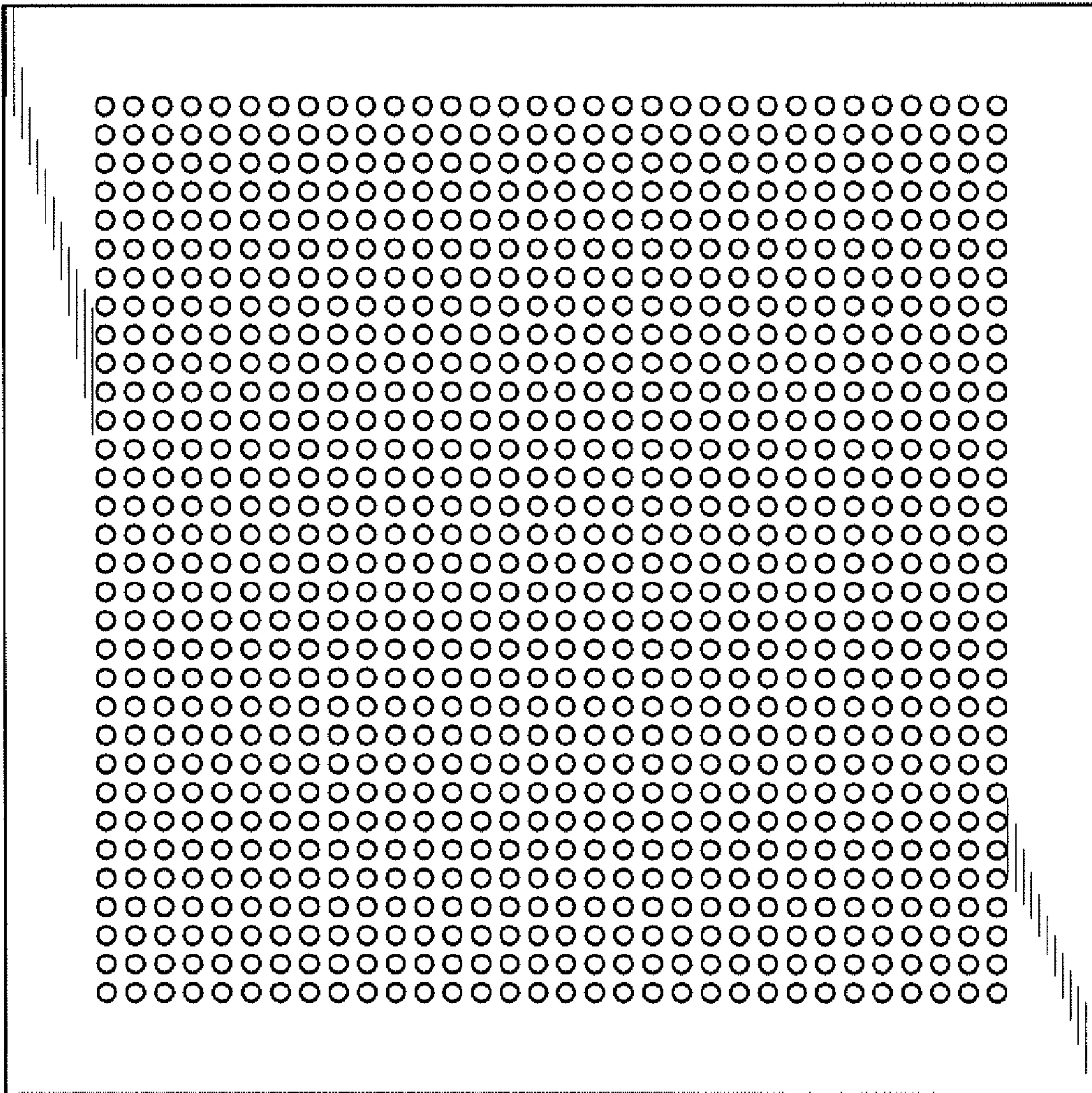


FIG. 3

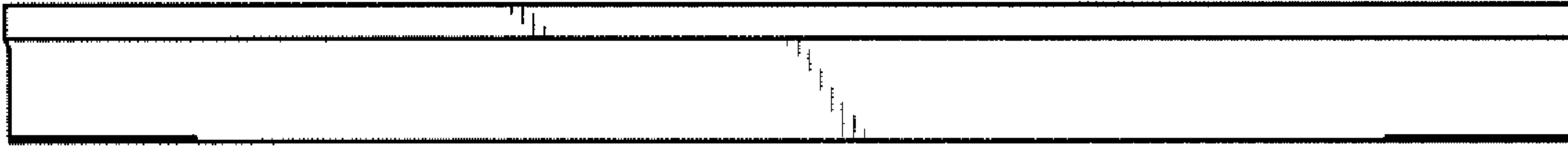


FIG. 4



FIG. 5

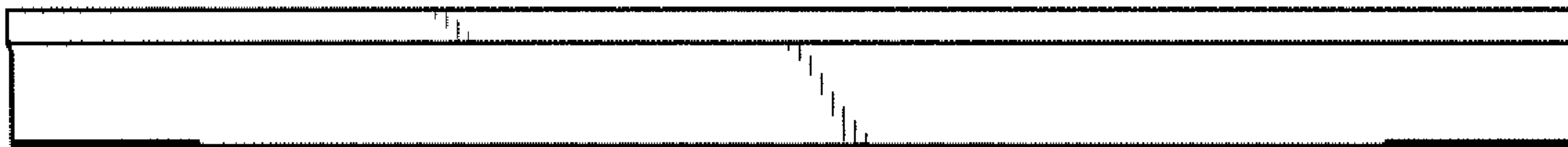


FIG. 6

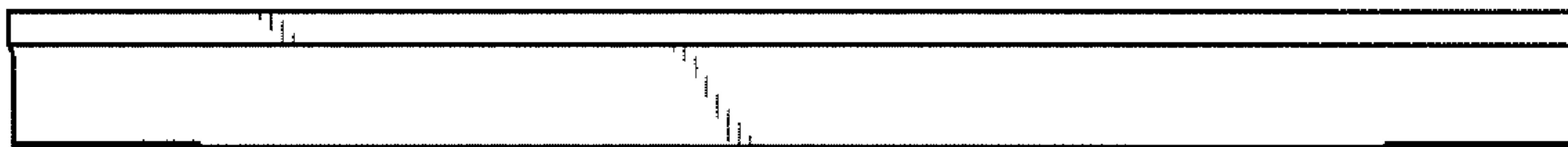


FIG. 7

