



US0D1073005S

(12) **United States Design Patent**
Zhong

(10) **Patent No.:** **US D1,073,005 S**

(45) **Date of Patent:** **** Apr. 29, 2025**

(54) **INSECT TRAP**

(71) Applicant: **Shujun Zhong**, Huangshi (CN)

(72) Inventor: **Shujun Zhong**, Huangshi (CN)

(**) Term: **15 Years**

(21) Appl. No.: **29/984,599**

(22) Filed: **Jan. 15, 2025**

(51) **LOC (15) Cl.** **22-06**

(52) **U.S. Cl.**
USPC **D22/122; D22/119**

(58) **Field of Classification Search**
USPC D22/119, 122-123; D30/115; D3/3-4;
43/124, 131
CPC A01M 1/00; A01M 1/02; A01M 1/06; A01M
1/10; A01M 1/20; A01M 2200/01; A01M
2200/011; A01M 2200/012
See application file for complete search history.

(56) **References Cited**

U.S. PATENT DOCUMENTS

D357,725 S *	4/1995	Biasetti	D22/122
D406,872 S *	3/1999	Miller	D22/122
D536,413 S *	2/2007	Duston	D22/122
D537,908 S *	3/2007	Chen	D22/123
D612,446 S *	3/2010	Galili	D22/122
D656,216 S *	3/2012	Rubel	D22/122
D672,426 S	12/2012	Davis, Jr.		
D720,829 S *	1/2015	Mehan	D22/122

D732,636 S *	6/2015	Oehlschlager	D22/122
D733,253 S *	6/2015	Oehlschlager	D22/122
D825,024 S	8/2018	Wingett		
D1,041,613 S *	9/2024	Deng	D22/122

* cited by examiner

Primary Examiner — Catherine R Oliver-Garcia
(74) *Attorney, Agent, or Firm* — JEEN IP LAW, LLC

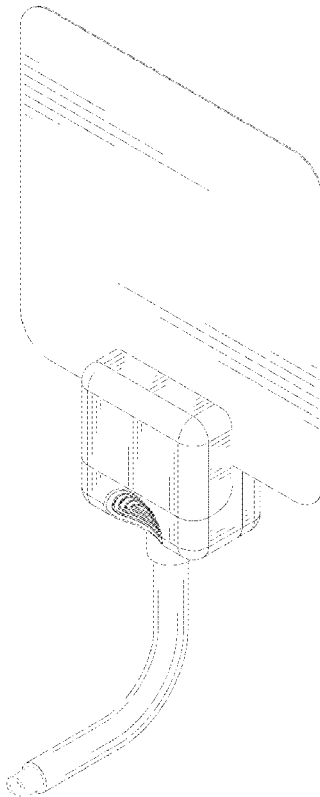
(57) **CLAIM**

The ornamental design for an insect trap, as shown and described.

DESCRIPTION

FIG. 1 is a front, right and top perspective view of an insect trap, showing my new design;
FIG. 2 is a rear, left and bottom perspective view thereof;
FIG. 3 is a front view thereof;
FIG. 4 is a rear view thereof;
FIG. 5 is a left side view thereof;
FIG. 6 is a right side view thereof;
FIG. 7 is a top plan view thereof;
FIG. 8 is a bottom plan view thereof;
FIG. 9 is a diagram showing the hose portion of FIG. 1 in an upright state;
FIG. 10 is a state diagram of FIG. 1 plus a USB interface; and,
FIG. 11 is a diagram showing the state of FIG. 1 with a plug.
The broken lines shown in the drawings illustrate portions of the insect trap that form no part of the claimed design.

1 Claim, 11 Drawing Sheets



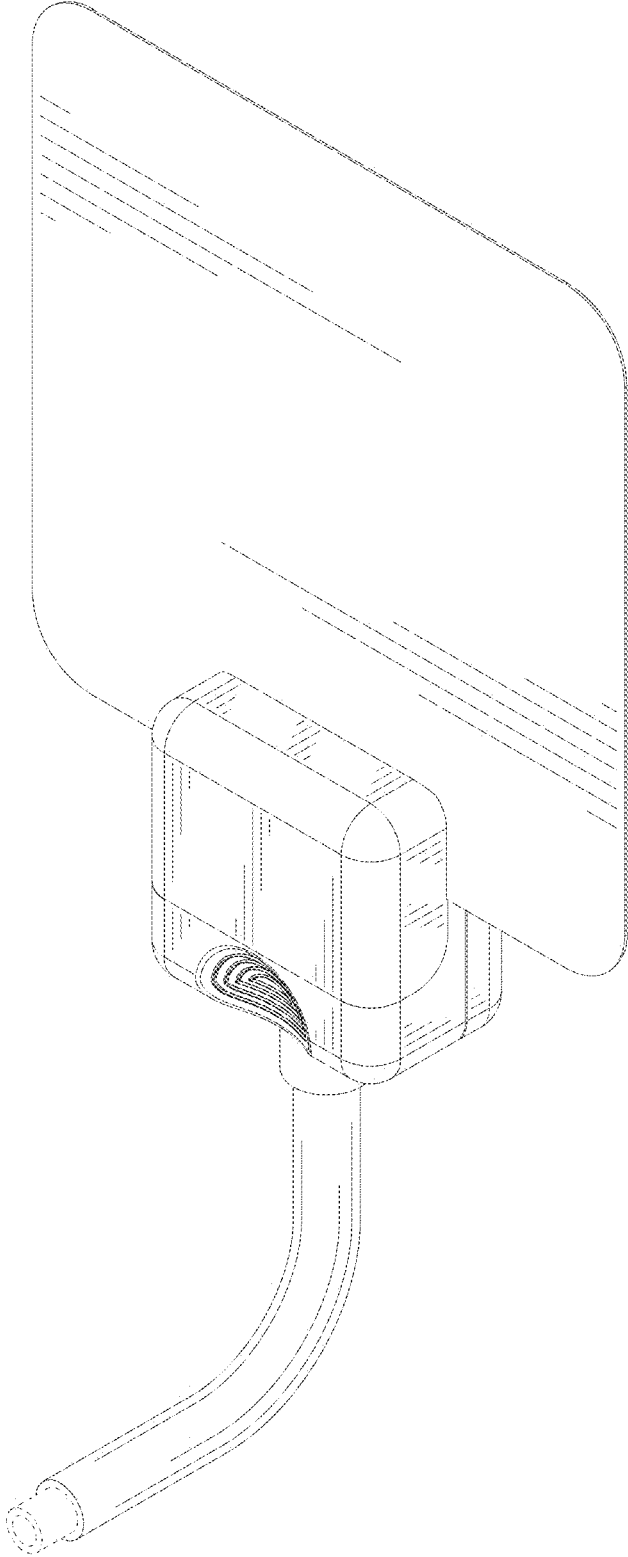


FIG. 1

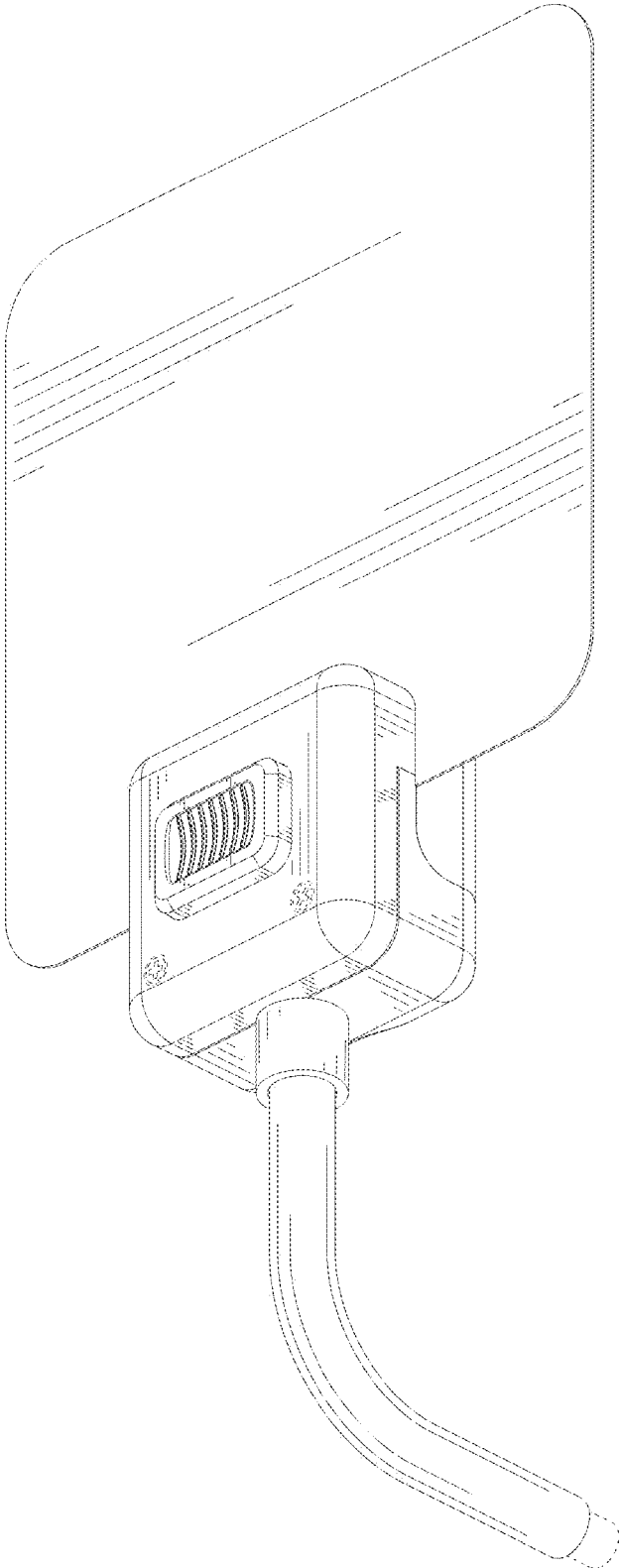


FIG. 2

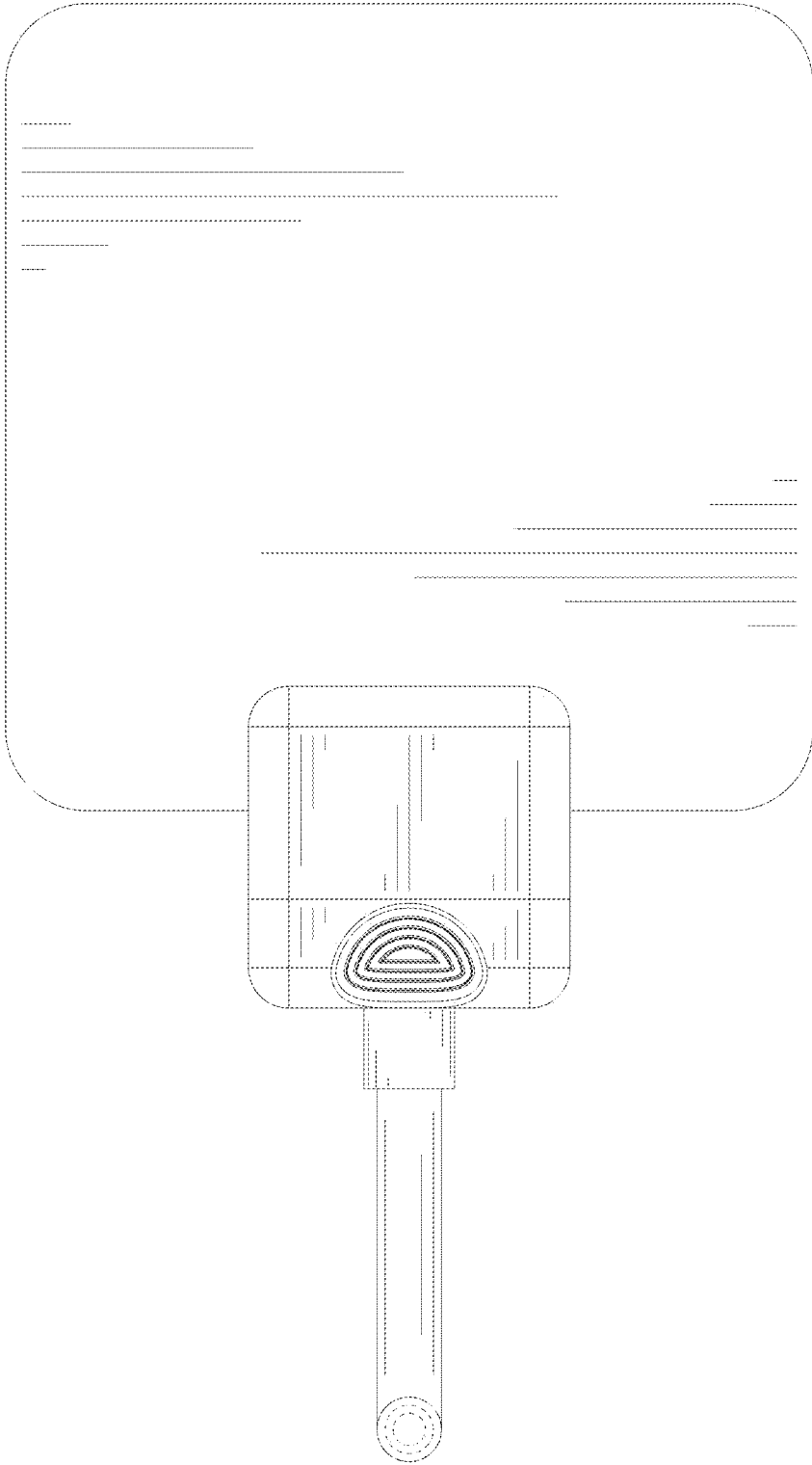


FIG. 3

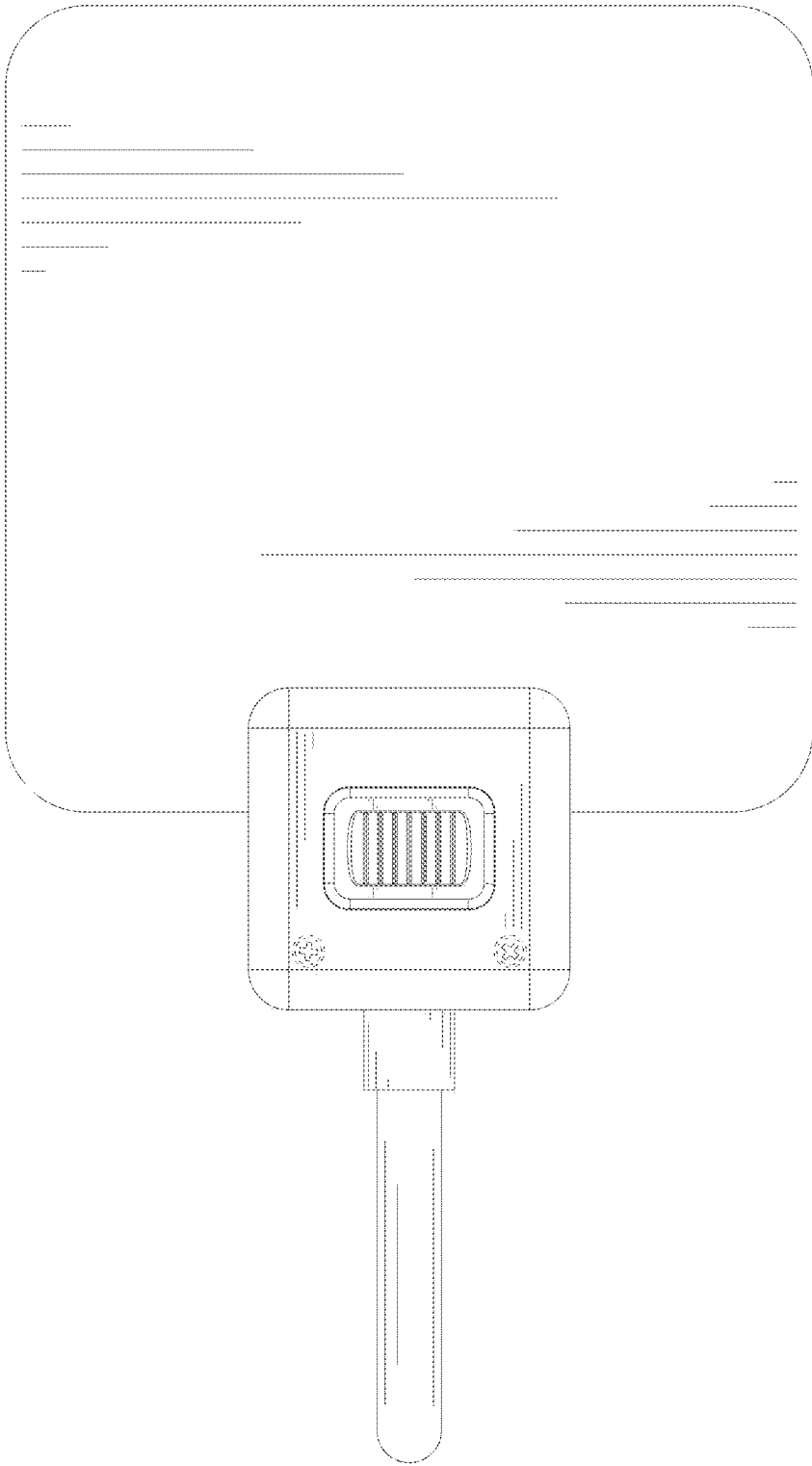


FIG. 4

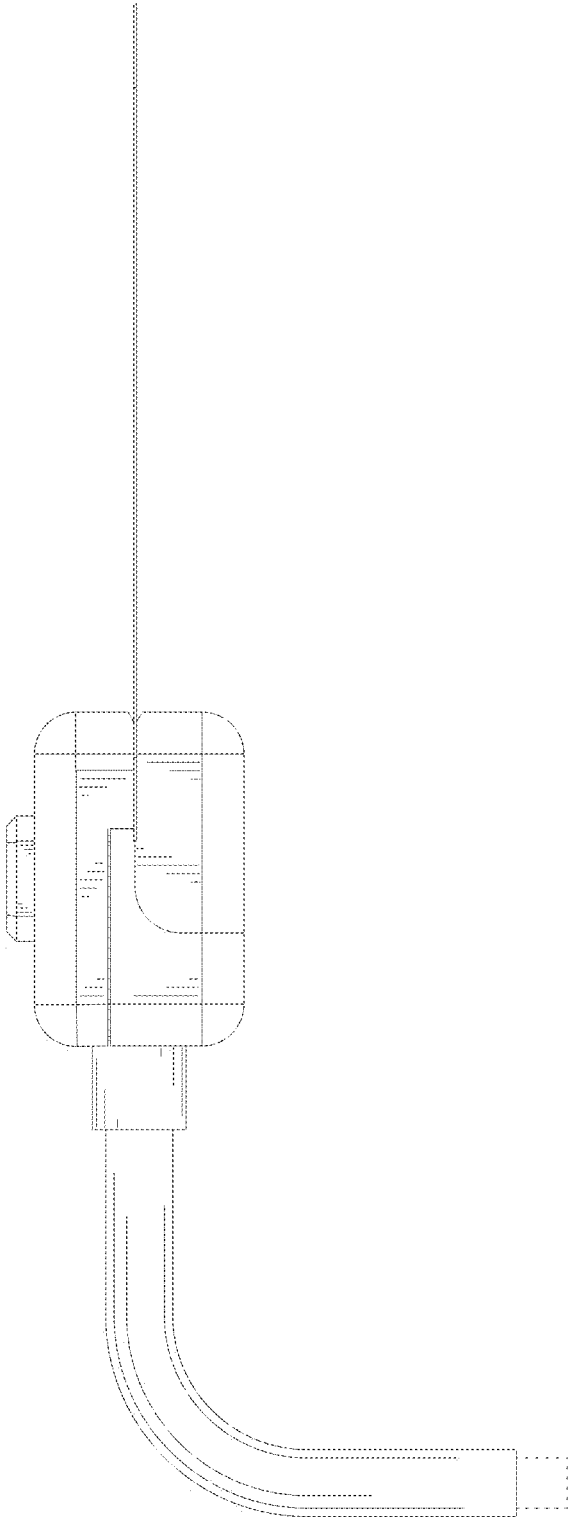


FIG. 5

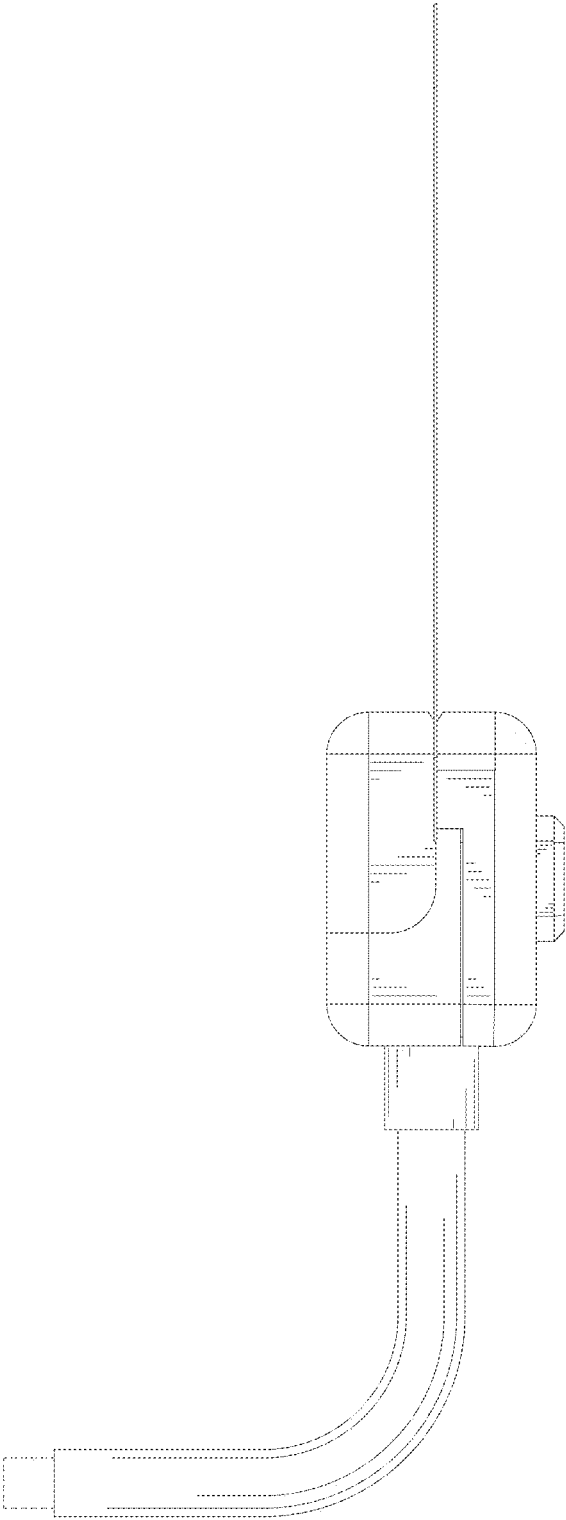


FIG. 6

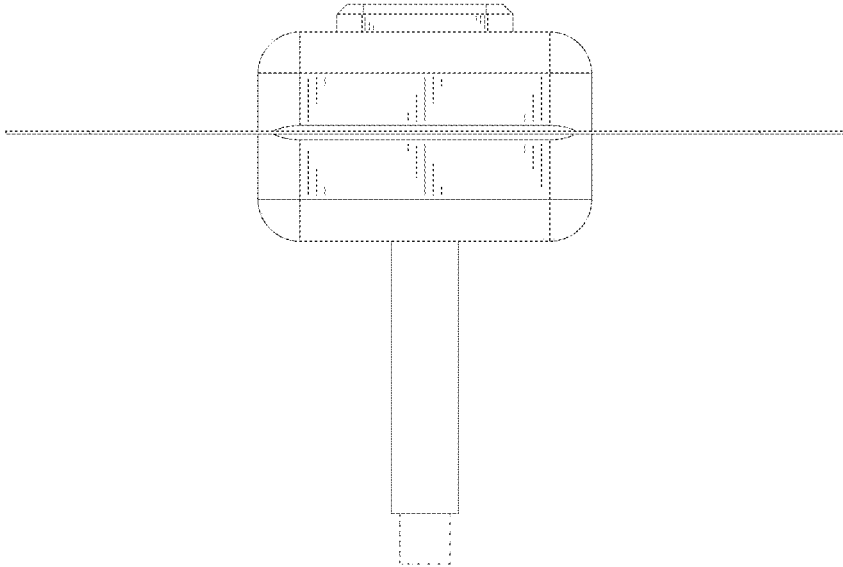


FIG. 7

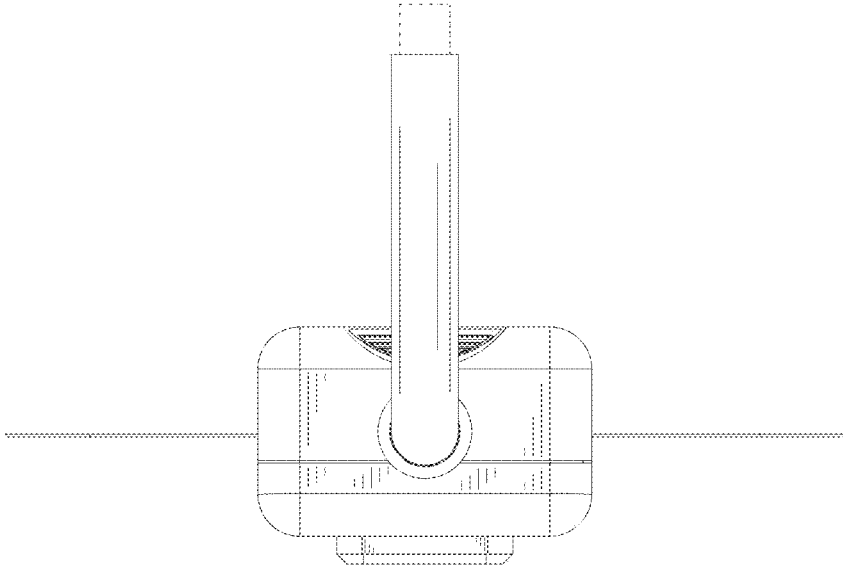


FIG. 8

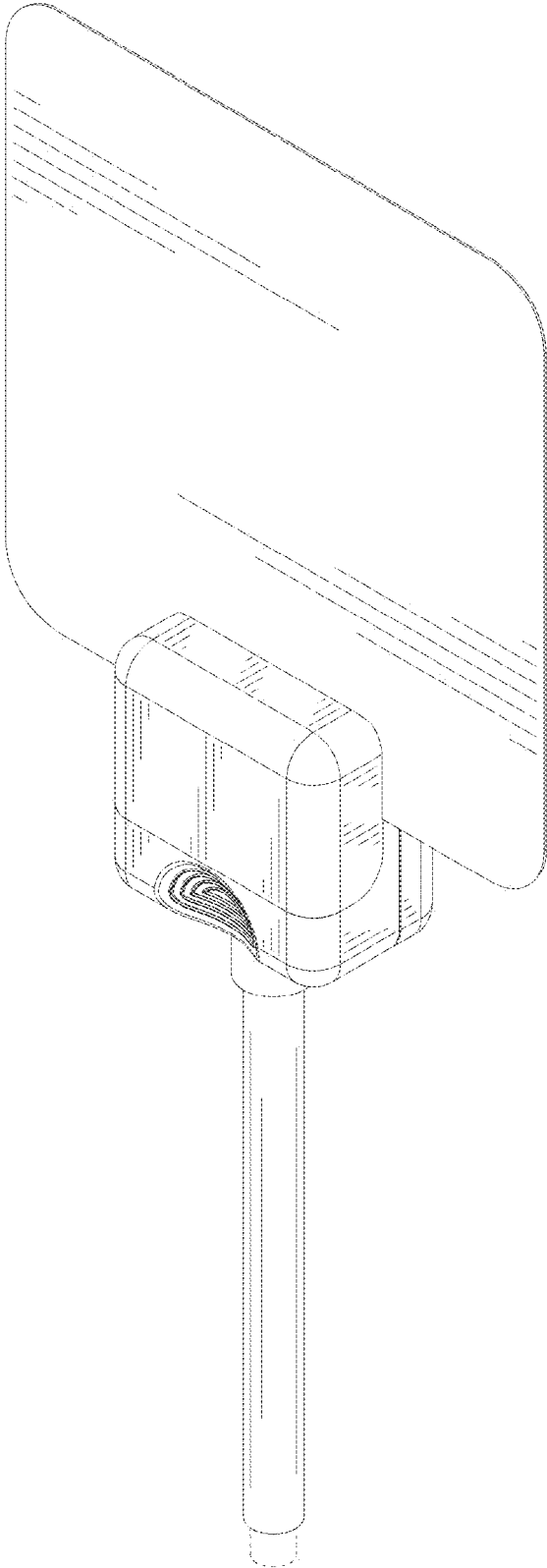


FIG. 9

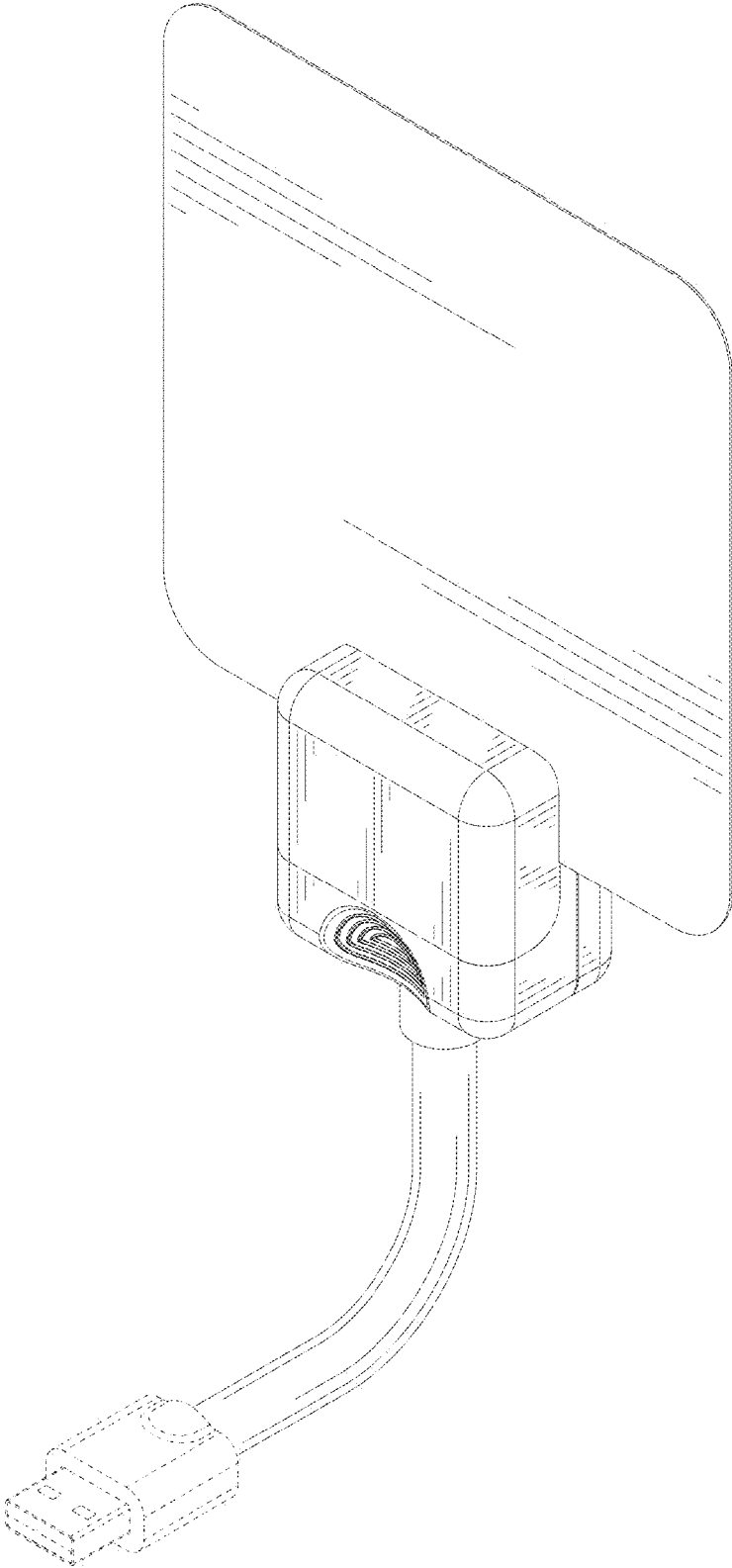


FIG. 10

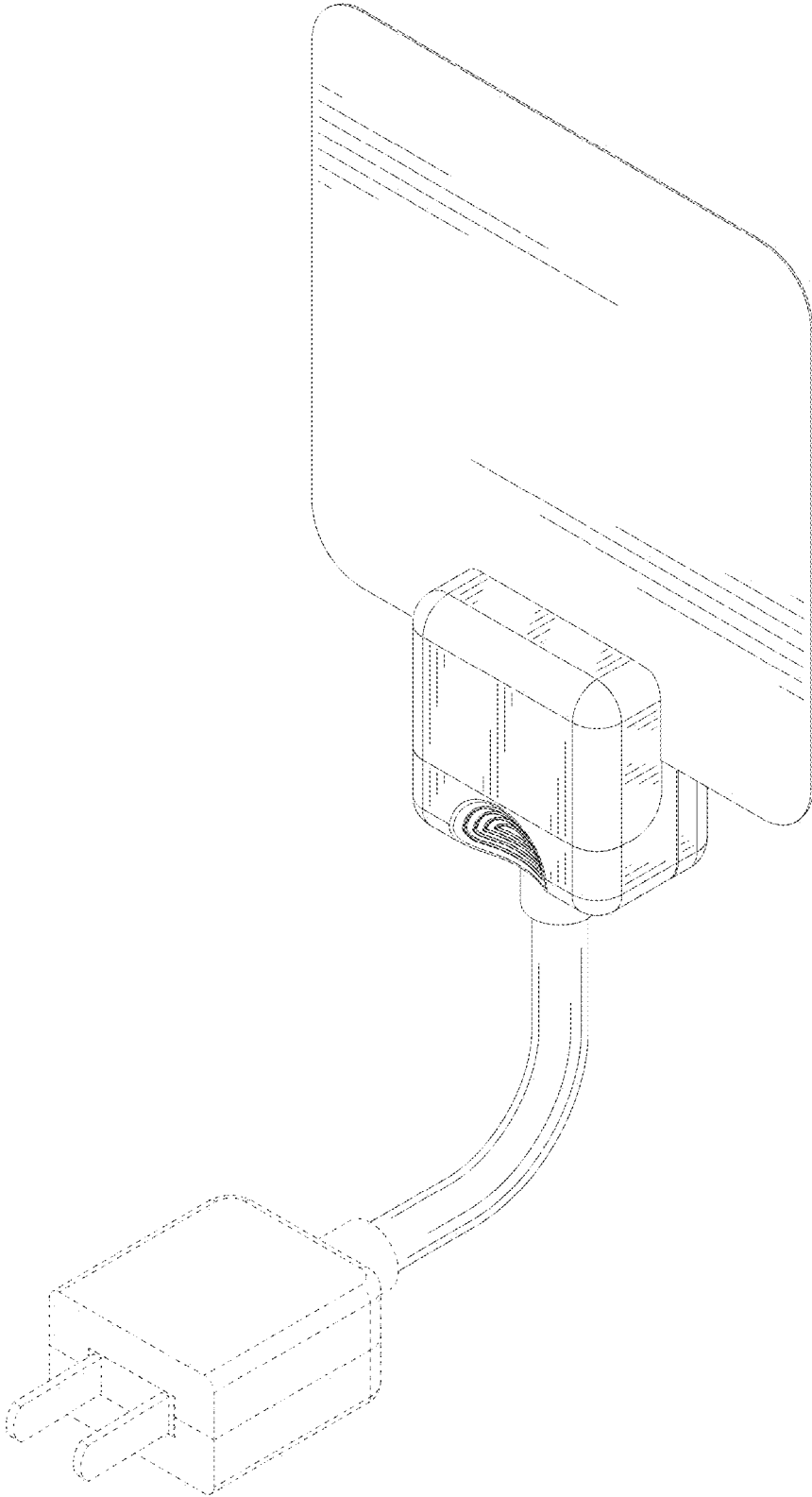


FIG. 11