

# United States Patent [19]

Uchibori et al.

[11] Patent Number: Des. 321,708

[45] Date of Patent: \*\* Nov. 19, 1991

[54] **PRINTER FOR ELECTRONIC COMPUTER**

[75] Inventors: Noritaka Uchibori; Toshimitsu Ohara, both of Nagano, Japan

[73] Assignee: Seiko Epson Corporation, Tokyo, Japan

[\*\*] Term: 14 Years

[21] Appl. No.: 339,430

[22] Filed: Apr. 17, 1989

[30] Foreign Application Priority Data

Oct. 28, 1988 [JP] Japan ..... 42437/88

[52] U.S. Cl. .... D18/54

[58] Field of Search ..... D18/13; D14/111;  
400/613, 613.2, 613.3, 613.4, 691-694; 101/420

[56] References Cited

### U.S. PATENT DOCUMENTS

D. 272,352	1/1984	Seki et al.	.....	D14/111
D. 278,821	5/1985	Maruyama	.....	D14/111
D. 283,823	5/1986	Mitsuhashi	.....	D18/13
D. 285,925	9/1986	Davis	.....	D18/13
D. 286,052	10/1986	Peart et al.	.....	D14/111
D. 287,727	1/1987	Kurihara	.....	D14/111

D. 288,324	2/1987	Moggridge	.....	D14/111
D. 295,045	4/1988	Kuroki	.....	D18/13
D. 296,211	6/1988	Nagatomo	.....	D14/111
D. 312,475	11/1990	Yoshida	.....	D18/13
4,674,899	6/1987	Kimura	.....	400/613

### OTHER PUBLICATIONS

NEC Spinwriter e.l.f.; 2/85; pp. 1 and 2.

Primary Examiner—A. Hugo Word

Assistant Examiner—Cathy Anne MacCormac

Attorney, Agent, or Firm—Blum Kaplan

[57] CLAIM

The ornamental design for a printer for electronic computer, as shown and described.

### DESCRIPTION

FIG. 1 is a top plan view of a printer for electronic computer showing our new design;

FIG. 2 is a front elevational view thereof;

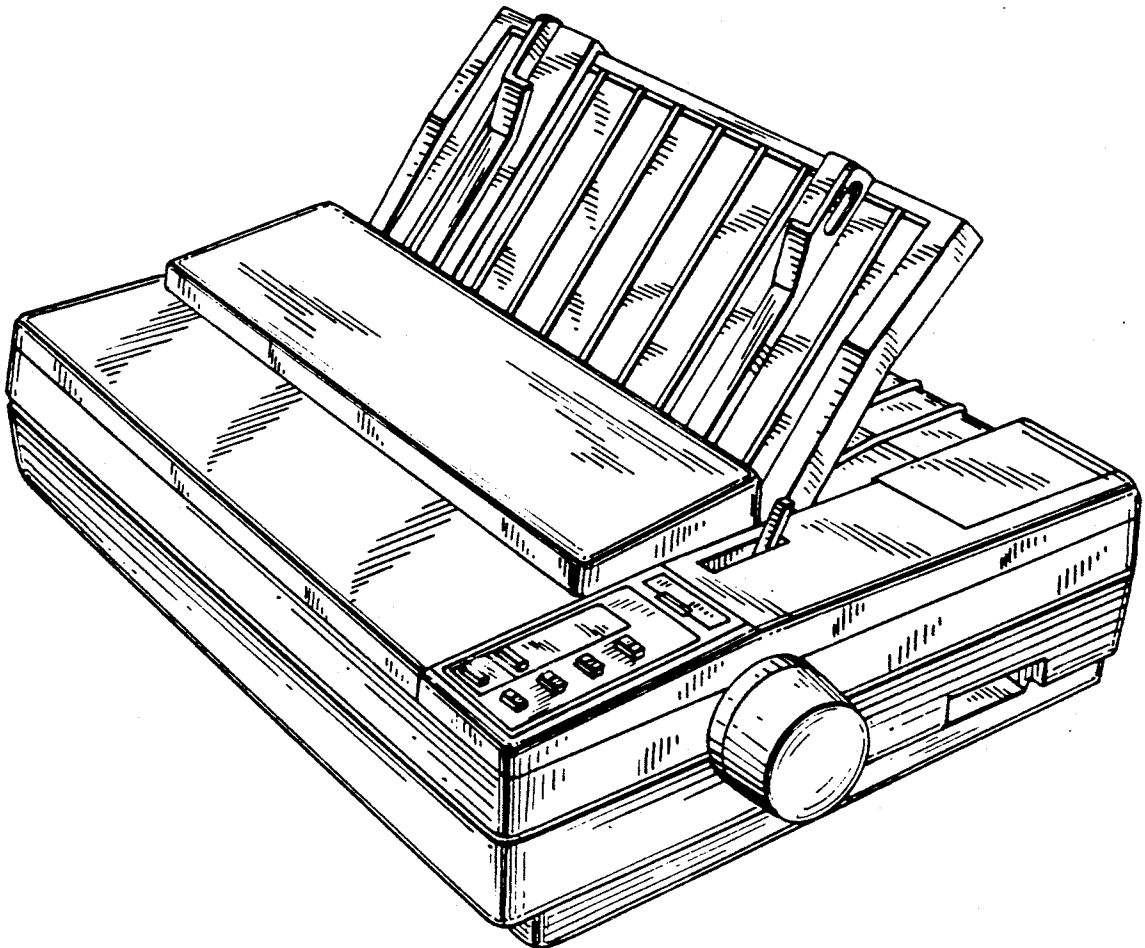
FIG. 3 is a right side elevational view thereof;

FIG. 4 is a bottom plan view thereof;

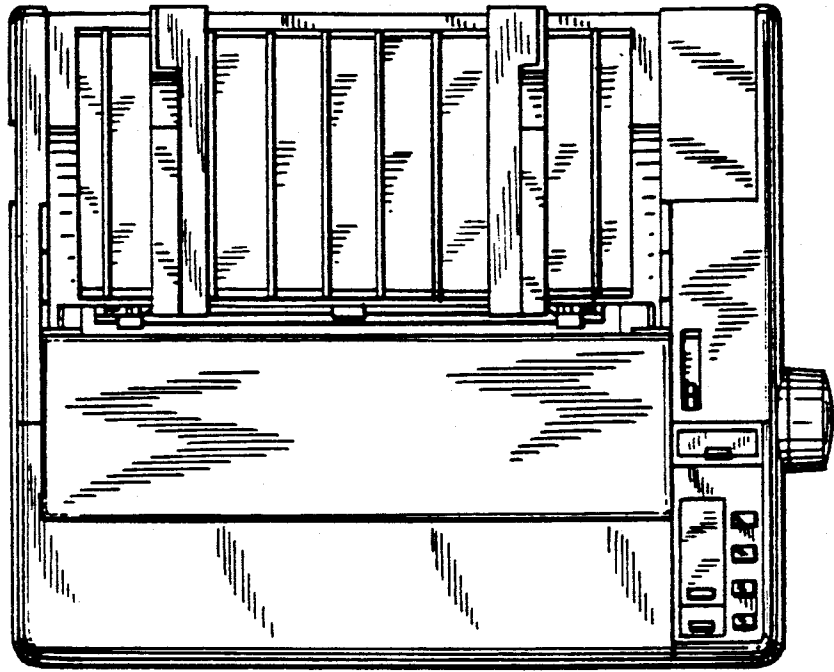
FIG. 5 is a rear elevational view thereof;

FIG. 6 is a left side elevational view thereof; and

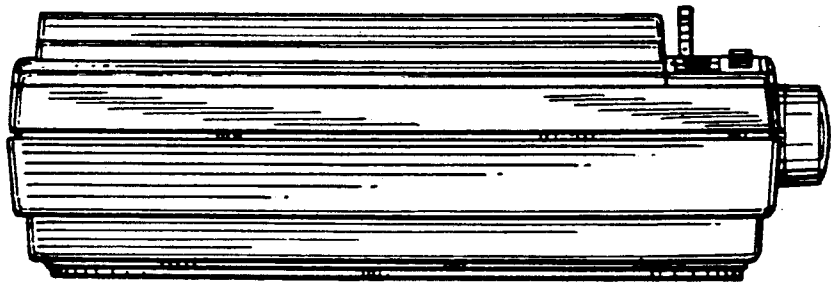
FIG. 7 is a perspective view thereof showing the paper tray in raised position.



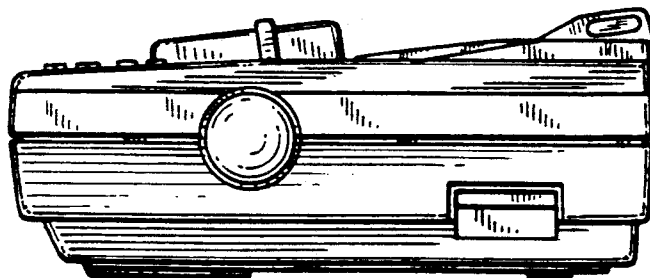
*FIG. 1*



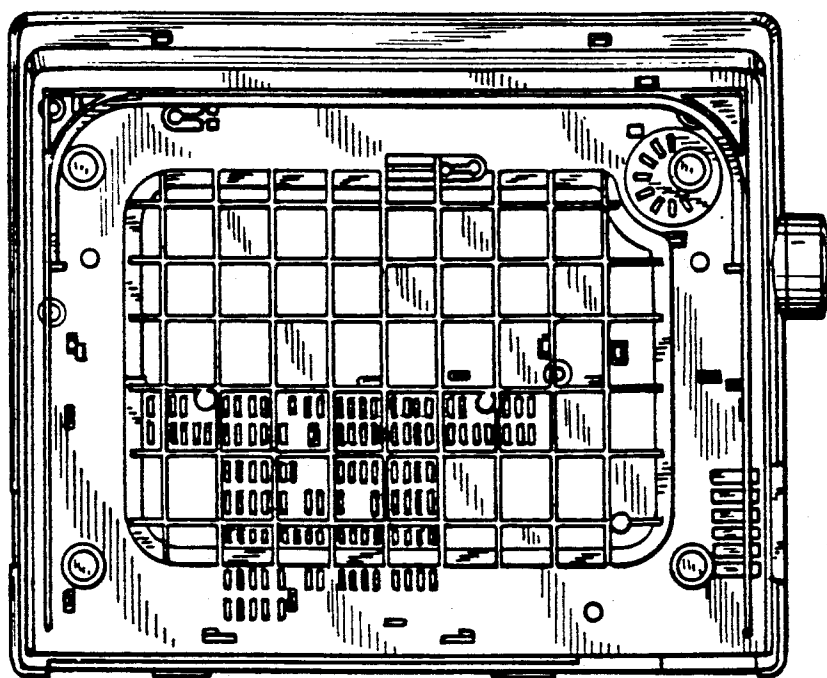
*FIG. 2*



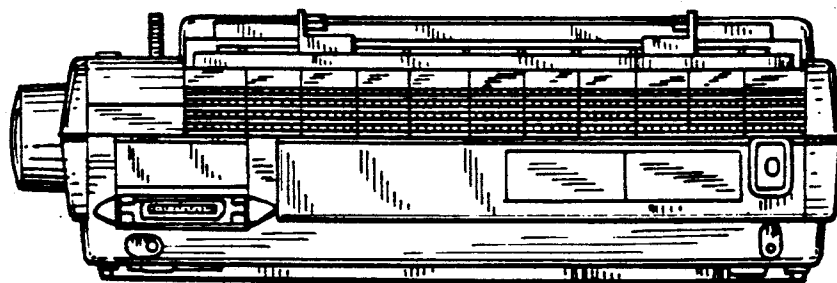
*FIG. 3*



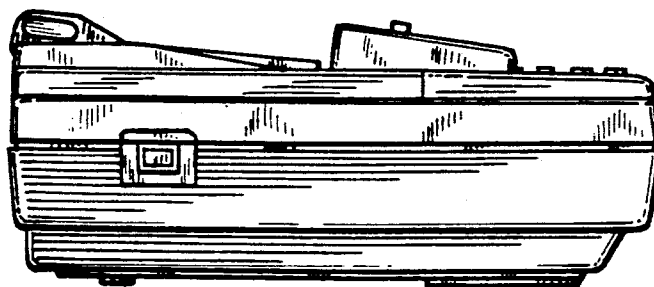
*FIG. 4*



*FIG. 5*



*FIG. 6*



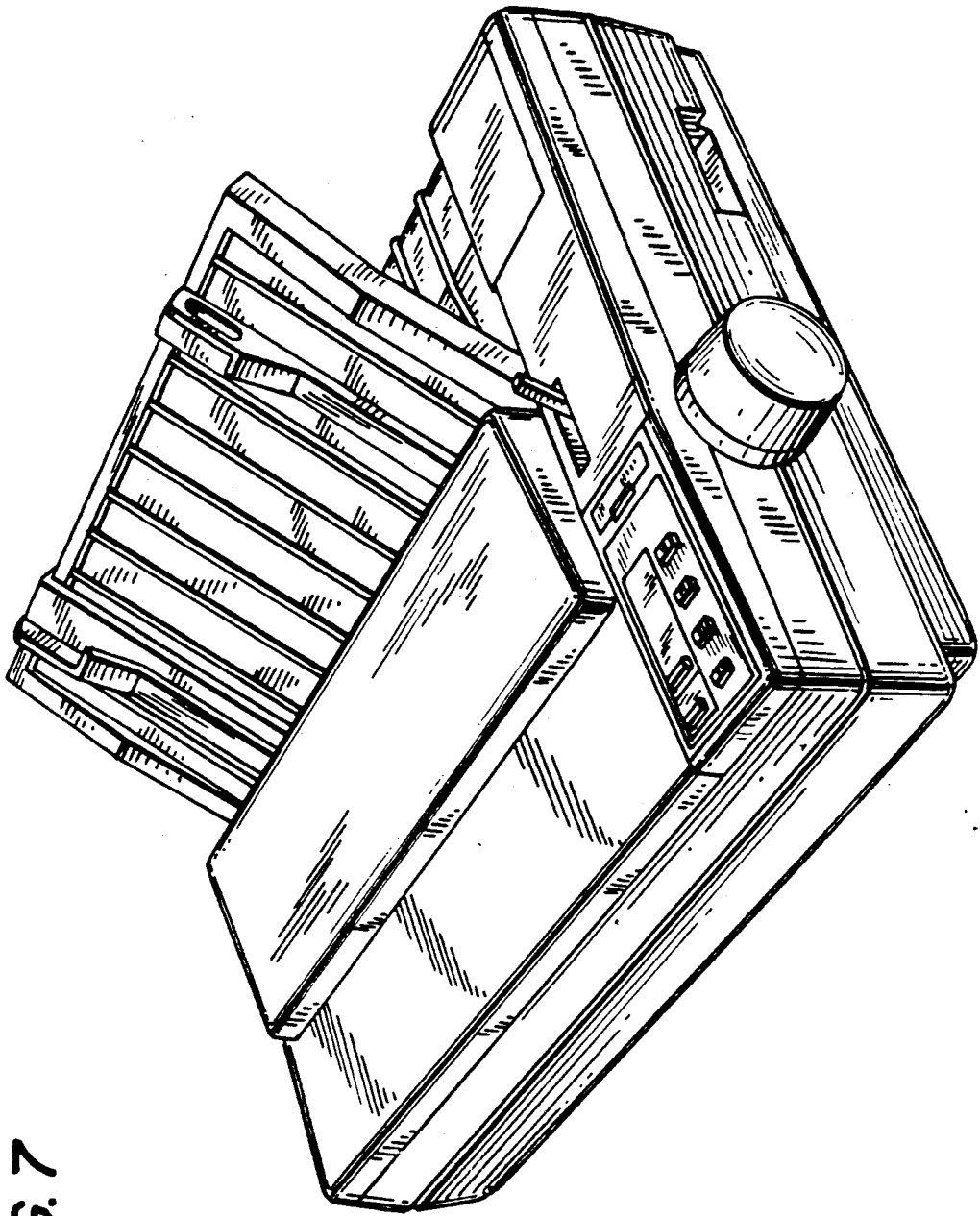


FIG. 7