

(19) World Intellectual Property Organization
International Bureau



(43) International Publication Date
24 July 2008 (24.07.2008)

PCT

(10) International Publication Number
WO 2008/087601 A3

- (51) International Patent Classification:
A47K 13/06 (2006.01)
- (21) International Application Number:
PCT/IB2008/050166
- (22) International Filing Date: 17 January 2008 (17.01.2008)
- (25) Filing Language: English
- (26) Publication Language: English
- (30) Priority Data:
2007/00561 19 January 2007 (19.01.2007) ZA
- (71) Applicant (for all designated States except US): JONIBACH MANAGEMENT TRUST T/A BUMBO INTERNATIONAL [ZA/ZA]; 212 Hardy Muller Street, 0200 Rosslyn (ZA).
- (72) Inventor; and
- (75) Inventor/Applicant (for US only): BUITENDACH, Johan Nicolaas [ZA/ZA]; Cnr Hardy Muller & Frans Du Toit Streets, 0200 Rosslyn (ZA).
- (74) Agents: SPOOR & FISHER et al; P O Box 454, 0001 Pretoria (ZA).

- (81) Designated States (unless otherwise indicated, for every kind of national protection available): AE, AG, AL, AM, AO, AT, AU, AZ, BA, BB, BG, BH, BR, BW, BY, BZ, CA, CH, CN, CO, CR, CU, CZ, DE, DK, DM, DO, DZ, EC, EE, EG, ES, FI, GB, GD, GE, GH, GM, GT, HN, HR, HU, ID, IL, IN, IS, JP, KE, KG, KM, KN, KP, KR, KZ, LA, LC, LK, LR, LS, LT, LU, LY, MA, MD, ME, MG, MK, MN, MW, MX, MY, MZ, NA, NG, NI, NO, NZ, OM, PG, PH, PL, PT, RO, RS, RU, SC, SD, SE, SG, SK, SL, SM, SV, SY, TJ, TM, TN, TR, TT, TZ, UA, UG, US, UZ, VC, VN, ZA, ZM, ZW
- (84) Designated States (unless otherwise indicated, for every kind of regional protection available): ARIPO (BW, GH, GM, KE, LS, MW, MZ, NA, SD, SL, SZ, TZ, UG, ZM, ZW), Eurasian (AM, AZ, BY, KG, KZ, MD, RU, TJ, TM), European (AT, BE, BG, CH, CY, CZ, DE, DK, EE, ES, FI, FR, GB, GR, HR, HU, IE, IS, IT, LT, LU, LV, MC, MT, NL, NO, PL, PT, RO, SE, SI, SK, TR), OAPI (BF, BJ, CF, CG, CI, CM, GA, GN, GQ, GW, ML, MR, NE, SN, TD, TG).

Published:
— with international search report

(88) Date of publication of the international search report:
27 November 2008

(54) Title: INFANT TOILET TRAINER

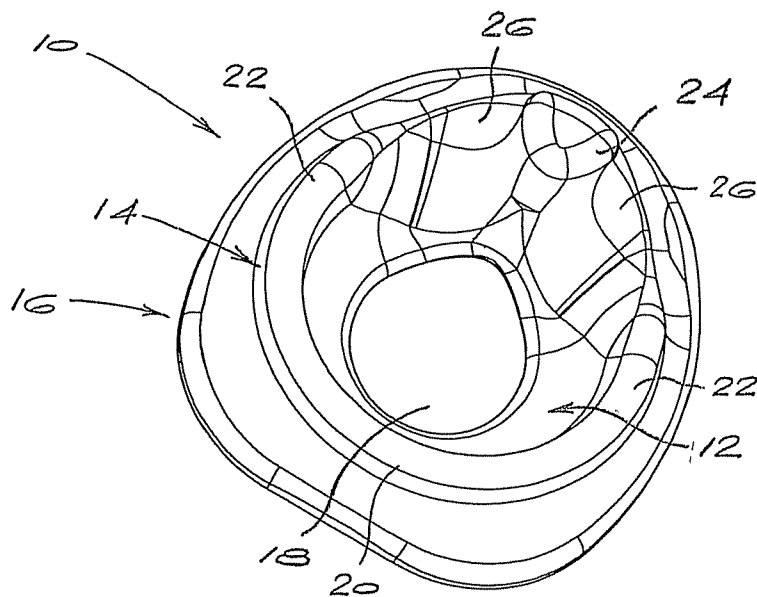


Fig. 1

(57) Abstract: This invention is concerned with an infant toilet trainer (10) which includes a seat (12) having an aperture therein (18), a support formation (14) for supporting the body of an infant seated on the seat and a base (16) which can be placed on a seat of a toilet to allow the aperture of the seat to mouth into the bowl of the toilet. The infant toilet trainer of the invention is characterised in that the seat, support formation and base are of unitary construction and produced from a resilient material. These features will allow at least a portion of the support formation to flex towards an infant seated on the seat under the influence of the weight of the infant.

WO 2008/087601 A3

INTERNATIONAL SEARCH REPORT

International application No
PCT/IB2008/050166

A. CLASSIFICATION OF SUBJECT MATTER INV. A47K 13/06		
According to International Patent Classification (IPC) or to both national classification and IPC		
B. FIELDS SEARCHED		
Minimum documentation searched (classification system followed by classification symbols) A47K		
Documentation searched other than minimum documentation to the extent that such documents are included in the fields searched		
Electronic data base consulted during the international search (name of data base and, where practical, search terms used) EPO-Internal		
C. DOCUMENTS CONSIDERED TO BE RELEVANT		
Category*	Citation of document, with indication, where appropriate, of the relevant passages	Relevant to claim No.
X	AU 52793 64 A (BIRD) 8 June 1967 (1967-06-08) the whole document	1-3,5,6
Y	----- WO 2006/066316 A (GOH AOW LEE LEE [AU]) 29 June 2006 (2006-06-29) page 4, paragraph 4 page 11, paragraph 1 - paragraph 2; figures 9A,9B	4
Y	----- WO 2006/066316 A (GOH AOW LEE LEE [AU]) 29 June 2006 (2006-06-29) page 4, paragraph 4 page 11, paragraph 1 - paragraph 2; figures 9A,9B	4
A	----- GB 2 285 461 A (PIGEON KK [JP]) 12 July 1995 (1995-07-12) the whole document	1
A	----- US 4 457 029 A (MATTHEWS HERBERT [US]) 3 July 1984 (1984-07-03) column 2, line 51 - line 54; figures ----- -/--	1
<input checked="" type="checkbox"/> Further documents are listed in the continuation of Box C.		
<input checked="" type="checkbox"/> See patent family annex.		
* Special categories of cited documents :		
1A" document defining the general state of the art which is not considered to be of particular relevance "E" earlier document but published on or after the international filing date 1L" document which may throw doubts on priority claim(s) or which is cited to establish the publication date of another citation or other special reason (as specified) "O" document referring to an oral disclosure, use, exhibition or other means 1P" document published prior to the international filing date but later than the priority date claimed	"T" later document published after the international filing date or priority date and not in conflict with the application but cited to understand the principle or theory underlying the invention "X" document of particular relevance; the claimed invention cannot be considered novel or cannot be considered to involve an inventive step when the document is taken alone "Y1" document of particular relevance; the claimed invention cannot be considered to involve an inventive step when the document is combined with one or more other such documents, such combination being obvious to a person skilled in the art. "&1" document member of the same patent family	
Date of the actual completion of the international search	Date of mailing of the international search report	
18 August 2008	26/08/2008	
Name and mailing address of the ISA/ European Patent Office, P.B. 5818 Patentlaan 2 NL - 2280 HV Rijswijk Tel. (+31-70) 340-2040, Tx. 31 651 epo nl Fax: (+31-70) 340-3016	Authorized officer Fordham, Al an	

INTERNATIONAL SEARCH REPORT

International application No
PCT/IB2008/050166

C(Continuation). DOCUMENTS CONSIDERED TO BE RELEVANT		
Category*	Citation of document, with indication, where appropriate, of the relevant passages	Relevant to claim No.
A .	US 2 767 408 A (REIBMAN SHELDON N) 23 October 1956 (1956-10-23) . column 2 , paragraph 2 ; figures -----	1

INTERNATIONAL SEARCH REPORT

Information on patent family members

International application No

PCT/IB2008/050166

Patent document cited in search report	Publication date	Patent family member(s)	Publication date
AU 5279364	A	08-06-1967	NONE
<hr/>			
WO 2006066316	A	29-06-2006	CN 101119674 A 06-02-2008
			EP 1838192 A1 03-10-2007
			JP 2008523928 T 10-07-2008
			US 2008086804 A1 17-04-2008
<hr/>			
GB 2285461	A	12-07-1995	NONE
<hr/>			
US 4457029	A	03-07-1984	NONE
<hr/>			
US 2767408	A	23-10-1956	NONE
<hr/>			