



US00D540445S

(12) **United States Design Patent**
Solowiej

(10) **Patent No.:** **US D540,445 S**

(45) **Date of Patent:** **** Apr. 10, 2007**

(54) **TOILET TANK LEVER**

D82,571 S * 11/1930 Lovett D6/550

(75) Inventor: **Leszek Solowiej**, Montville, NJ (US)

* cited by examiner

(73) Assignee: **Liberty Hardware Mfg. Corp.**,
Winston-Salem, NC (US)

Primary Examiner—Robert A. Delehanty
(74) *Attorney, Agent, or Firm*—Edgar A. Zarins; Lloyd D. Doigan

(**) Term: **14 Years**

(57) **CLAIM**

(21) Appl. No.: **29/226,853**

The ornamental design for a toilet tank lever, as shown and described.

(22) Filed: **Apr. 1, 2005**

(51) **LOC (8) Cl.** **23-02**

(52) **U.S. Cl.** **D23/309**

(58) **Field of Classification Search** D23/303,
D23/309, 250; D6/546, 550; 4/246.3, 661;
D8/313–314

See application file for complete search history.

DESCRIPTION

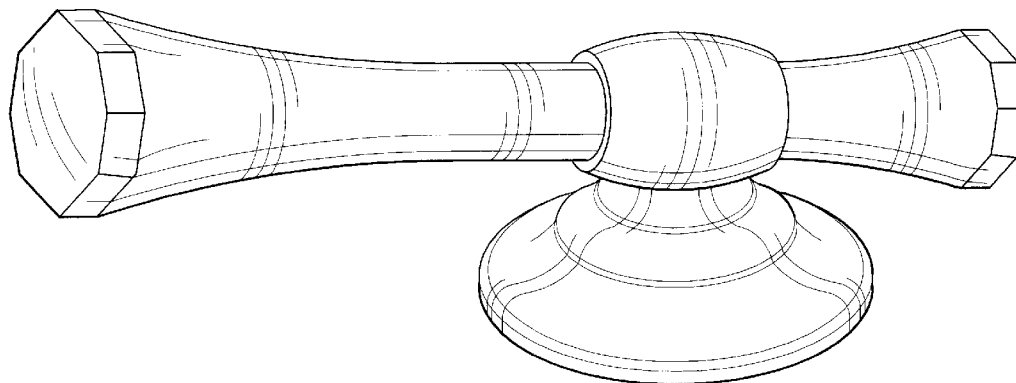
FIG. 1 is a perspective view of a toilet tank lever showing my new design;
FIG. 2 is a front elevational view thereof;
FIG. 3 is a bottom plan view thereof, the top side being a mirror image of the side shown;
FIG. 4 is a right end view thereof; and,
FIG. 5 is a left end view thereof.

(56) **References Cited**

U.S. PATENT DOCUMENTS

D79,774 S * 10/1929 Warner et al. D6/546

1 Claim, 2 Drawing Sheets



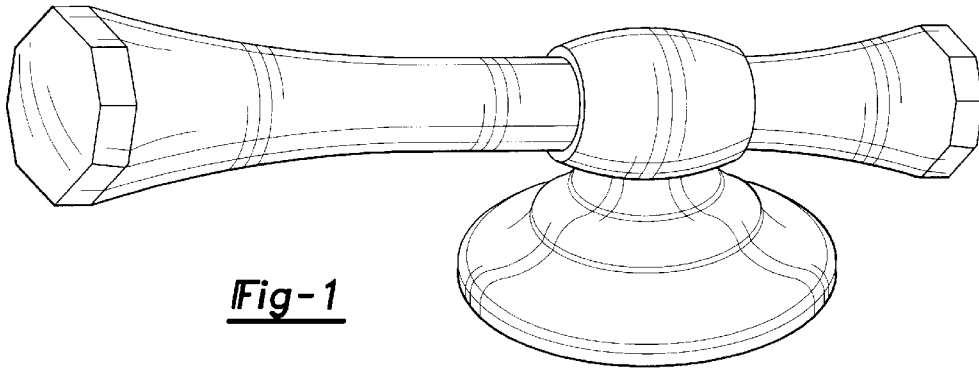


Fig-1

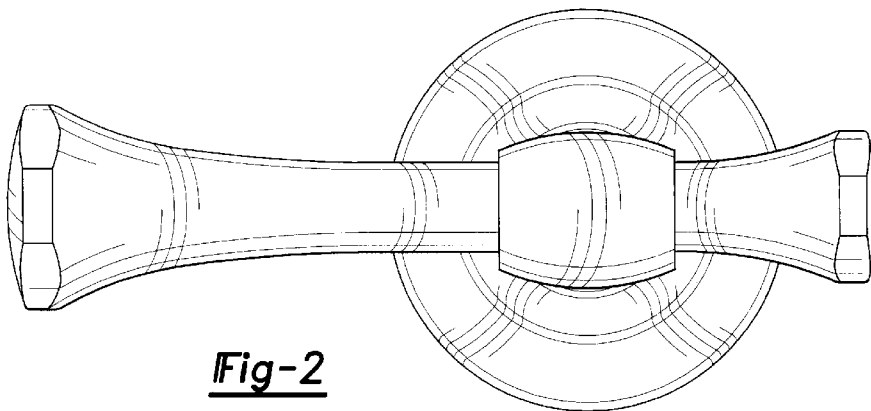


Fig-2

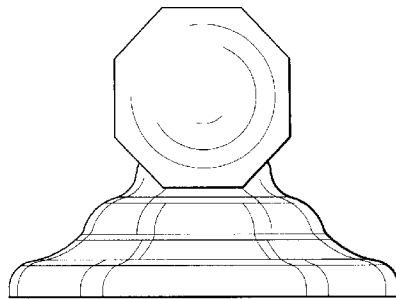
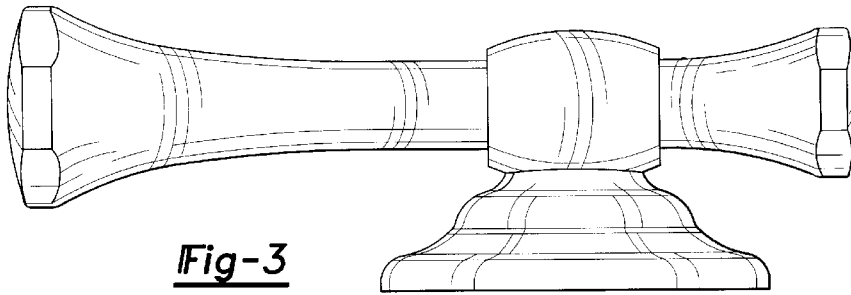


Fig-5

