

(19) World Intellectual Property Organization
International Bureau



(43) International Publication Date
6 April 2006 (06.04.2006)

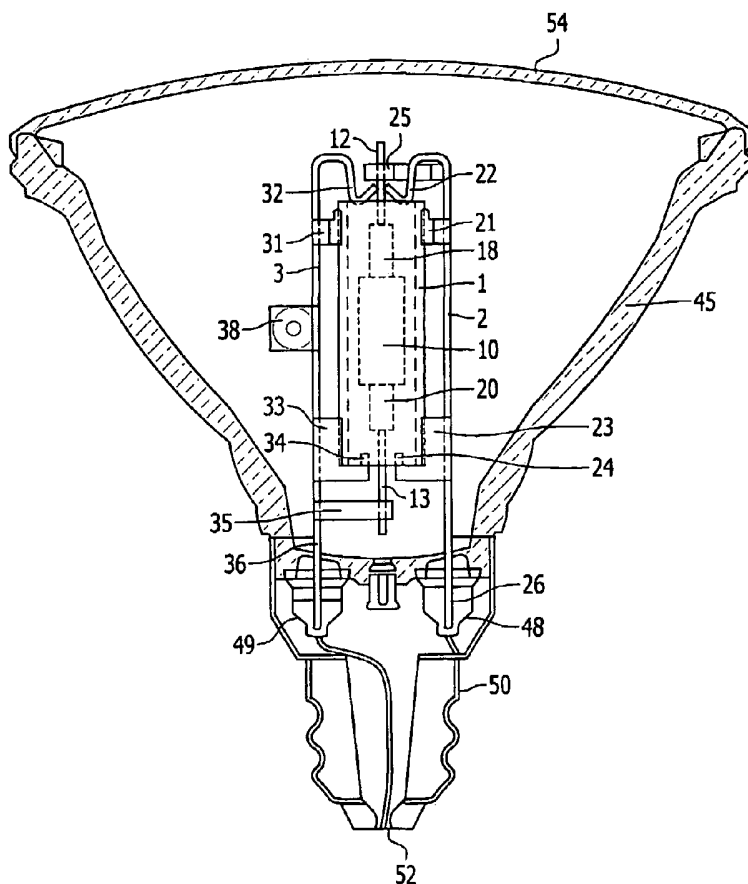
PCT

(10) International Publication Number
WO 2006/035324 A3

- (51) International Patent Classification:
H01J 61/50 (2006.01) H01J 5/54 (2006.01)
H01K 1/46 (2006.01)
- (21) International Application Number:
PCT/IB2005/052726
- (22) International Filing Date: 18 August 2005 (18.08.2005)
- (25) Filing Language: English
- (26) Publication Language: English
- (30) Priority Data:
04104684.8 27 September 2004 (27.09.2004) EP
- (71) Applicant (for all designated States except US): KONINKLIJKE PHILIPS ELECTRONICS N.V. [NL/NL]; Groenewoudseweg 1, NL-5621 BA Eindhoven (NL).
- (72) Inventors; and
- (75) Inventors/Applicants (for US only): KESSELS, Henricus, M., M. [NL/NL]; c/o Prof. Holstlaan 6, NL-5656 AA Eindhoven (NL). FELLER, Richard, F., J. [NL/NL]; c/o Prof. Holstlaan 6, NL-5656 AA Eindhoven (NL).
- (74) Agents: DUSSELDORP, Jan, C. et al.; Prof. Holstlaan 6, NL-5656 AA Eindhoven (NL).
- (81) Designated States (unless otherwise indicated, for every kind of national protection available): AE, AG, AL, AM, AT, AU, AZ, BA, BB, BG, BR, BW, BY, BZ, CA, CH, CN, CO, CR, CU, CZ, DE, DK, DM, DZ, EC, EE, EG, ES, FI, GB, GD, GE, GH, GM, HR, HU, ID, IL, IN, IS, JP, KE, KG, KM, KP, KR, KZ, LC, LK, LR, LS, LT, LU, LV, MA, MD, MG, MK, MN, MW, MX, MZ, NA, NG, NI, NO, NZ, OM, PG, PH, PL, PT, RO, RU, SC, SD, SE, SG, SK, SL, SM, SY, TJ, TM, TN, TR, TT, TZ, UA, UG, US, UZ, VC, VN, YU, ZA, ZM, ZW.
- (84) Designated States (unless otherwise indicated, for every kind of regional protection available): ARIPO (BW, GH, GM, KE, LS, MW, MZ, NA, SD, SL, SZ, TZ, UG, ZM, ZW), Eurasian (AM, AZ, BY, KG, KZ, MD, RU, TJ, TM), European (AT, BE, BG, CH, CY, CZ, DE, DK, EE, ES, FI, FR, GB, GR, HU, IE, IS, IT, LT, LU, LV, MC, NL, PL, PT, RO, SE, SI, SK, TR), OAPI (BF, BJ, CF, CG, CI, CM, GA, GN, GQ, GW, ML, MR, NE, SN, TD, TG).

[Continued on next page]

(54) Title: LAMP WITH PROTECTIVE SLEEVE



(57) Abstract: The invention relates to a lamp having a light source (10) and a sub-assembly comprising a protective sleeve (1) and two frame members, wherein the two frame members (2, 3) are each supporting the sleeve. Each frame member may comprise a clamping spring, which serves as a connection between the frame member and the sleeve. The invention also relates particularly to a lamp with an outer vessel (45), which is a parabolic aluminized reflector, and a light source, which is a ceramic discharge metal halide burner.

WO 2006/035324 A3



Declaration under Rule 4.17:

— *as to applicant's entitlement to apply for and be granted a patent (Rule 4.17(ii))*

Published:

— *with international search report*

(88) Date of publication of the international search report:

13 July 2006

For two-letter codes and other abbreviations, refer to the "Guidance Notes on Codes and Abbreviations" appearing at the beginning of each regular issue of the PCT Gazette.

INTERNATIONAL SEARCH REPORT

International Application No
PCT/IB2005/052726

A. CLASSIFICATION OF SUBJECT MATTER
H01J61/50 H01K1/46 H01J5/54

According to International Patent Classification (IPC) or to both national classification and IPC

B. FIELDS SEARCHED
Minimum documentation searched (classification system followed by classification symbols)
H01J H01K

Documentation searched other than minimum documentation to the extent that such documents are included in the fields searched

Electronic data base consulted during the international search (name of data base and, where practical, search terms used)
EPO-Internal

C. DOCUMENTS CONSIDERED TO BE RELEVANT

| Category ° | Citation of document, with indication, where appropriate, of the relevant passages | Relevant to claim No. |
|------------|--|-----------------------|
| X | EP 1 403 905 A (OSRAM SYLVANIA, INC) 31 March 2004 (2004-03-31) cited in the application paragraphs '0002!', '0016!', '0023!; figure 4 | 1-5 |
| X | EP 1 391 914 A (OSRAM-SYLVANIA INC) 25 February 2004 (2004-02-25) cited in the application paragraph '0013!; figures 1,2 | 1,2,5 |
| X | WO 00/75958 A (KONINKLIJKE PHILIPS ELECTRONICS N.V) 14 December 2000 (2000-12-14) cited in the application claims 5,6; figure 1 | 1,4-6 |

-/--

Further documents are listed in the continuation of box C. Patent family members are listed in annex.

° Special categories of cited documents :

| | |
|---|---|
| *A* document defining the general state of the art which is not considered to be of particular relevance | *T* later document published after the international filing date or priority date and not in conflict with the application but cited to understand the principle or theory underlying the invention |
| *E* earlier document but published on or after the international filing date | *X* document of particular relevance: the claimed invention cannot be considered novel or cannot be considered to involve an inventive step when the document is taken alone |
| *L* document which may throw doubts on priority claim(s) or which is cited to establish the publication date of another citation or other special reason (as specified) | *Y* document of particular relevance: the claimed invention cannot be considered to involve an inventive step when the document is combined with one or more other such documents, such combination being obvious to a person skilled in the art. |
| *O* document referring to an oral disclosure, use, exhibition or other means | *Z* document member of the same patent family |
| *P* document published prior to the international filing date but later than the priority date claimed | |

| | |
|---|--|
| Date of the actual completion of the international search 21 December 2005 | Date of mailing of the International search report 03/01/2006 |
|---|--|

| | |
|--|------------------------------------|
| Name and mailing address of the ISA European Patent Office, P.B. 5818 Patentlaan 2 NL - 2280 HV Rijswijk Tel. (+31-70) 340-2040, Tx. 31 651 epo nl, Fax: (+31-70) 340-3016 | Authorized officer Smith, C |
|--|------------------------------------|

INTERNATIONAL SEARCH REPORT

 International Application No
 PCT/IB2005/052726

| C-(Continuation) DOCUMENTS CONSIDERED TO BE RELEVANT | | |
|--|---|-----------------------|
| Category * | Citation of document, with indication, where appropriate, of the relevant passages | Relevant to claim No. |
| X | WO 00/11704 A (KONINKLIJKE PHILIPS ELECTRONICS N.V) 2 March 2000 (2000-03-02) cited in the application claim 5; figure 2 ----- | 1,2,4,5 |
| X | US 5 670 840 A (LANESE ET AL) 23 September 1997 (1997-09-23) cited in the application column 6, line 26 - line 29; figure 1 ----- | 1,6 |
| X | GB 737 913 A (THE GENERAL ELECTRIC COMPANY LIMITED; HENRY GRAINGER JENKINS) 5 October 1955 (1955-10-05) page 3, line 33 - line 49; figure 1 ----- | 1,3 |
| X | GB 260 756 A (CHARLES EDWARD GISBORNE-NEWTON) 11 November 1926 (1926-11-11) page 2, line 38 - line 45; figure 1 ----- | 1 |

INTERNATIONAL SEARCH REPORT

Information on patent family members

International Application No

PCT/IB2005/052726

| Patent document cited in search report | | Publication date | Patent family member(s) | Publication date |
|--|---|------------------|---|--|
| EP 1403905 | A | 31-03-2004 | CN 1497209 A JP 2004127939 A | 19-05-2004 22-04-2004 |
| EP 1391914 | A | 25-02-2004 | CA 2429787 A1 CN 1485881 A JP 2004095539 A US 2004036416 A1 | 22-02-2004 31-03-2004 25-03-2004 26-02-2004 |
| WO 0075958 | A | 14-12-2000 | CN 1314001 A DE 60016545 D1 DE 60016545 T2 EP 1101242 A1 JP 2003501794 T US 6329742 B1 | 19-09-2001 13-01-2005 03-11-2005 23-05-2001 14-01-2003 11-12-2001 |
| WO 0011704 | A | 02-03-2000 | CN 1287681 A EP 1062680 A1 JP 2002523871 T US 6157131 A | 14-03-2001 27-12-2000 30-07-2002 05-12-2000 |
| US 5670840 | A | 23-09-1997 | CA 2108408 A1 DE 4337807 A1 FR 2697944 A1 GB 2272569 A JP 6203811 A | 13-05-1994 19-05-1994 13-05-1994 18-05-1994 22-07-1994 |
| GB 737913 | A | 05-10-1955 | FR 1057594 A | 09-03-1954 |
| GB 260756 | A | 11-11-1926 | NONE | |