

(19) World Intellectual Property Organization
International Bureau



(43) International Publication Date
13 April 2006 (13.04.2006)

PCT

(10) International Publication Number
WO 2006/039169 A3

- (51) International Patent Classification:
F16B 19/04 (2006.01) B21J 15/08 (2006.01)
- (21) International Application Number:
PCT/US2005/033890
- (22) International Filing Date:
20 September 2005 (20.09.2005)
- (25) Filing Language: English
- (26) Publication Language: English
- (30) Priority Data:
10/955,174 30 September 2004 (30.09.2004) US
- (71) Applicant and
(72) Inventor: DENSLOW, Clark, A. [US/US]; 69 Webster
Point Rd., Madison, CT 06443 (US).

AT, AU, AZ, BA, BB, BG, BR, BW, BY, BZ, CA, CH, CN, CO, CR, CU, CZ, DE, DK, DM, DZ, EC, EE, EG, ES, FI, GB, GD, GE, GH, GM, HR, HU, ID, IL, IN, IS, JP, KE, KG, KM, KP, KR, KZ, LC, LK, LR, LS, LT, LU, LV, LY, MA, MD, MG, MK, MN, MW, MX, MZ, NA, NG, NI, NO, NZ, OM, PG, PH, PL, PT, RO, RU, SC, SD, SE, SG, SK, SL, SM, SY, TJ, TM, TN, TR, TT, TZ, UA, UG, US, UZ, VC, VN, YU, ZA, ZM, ZW.

(84) Designated States (unless otherwise indicated, for every kind of regional protection available): ARIPO (BW, GH, GM, KE, LS, MW, MZ, NA, SD, SL, SZ, TZ, UG, ZM, ZW), Eurasian (AM, AZ, BY, KG, KZ, MD, RU, TJ, TM), European (AT, BE, BG, CH, CY, CZ, DE, DK, EE, ES, FI, FR, GB, GR, HU, IE, IS, IT, LT, LU, LV, MC, NL, PL, PT, RO, SE, SI, SK, TR), OAPI (BF, BJ, CF, CG, CI, CM, GA, GN, GQ, GW, ML, MR, NE, SN, TD, TG).

- (74) Agent: GOWANLOCK, William, B.; 16 Town Crien
Lane, Madison, CT 06443 (US).
- (81) Designated States (unless otherwise indicated, for every kind of national protection available): AE, AG, AL, AM,

Published:
— with international search report
(88) Date of publication of the international search report:
28 May 2009

(54) Title: UNIFIED MULTI-PART HEAD FOR STAKED FASTENER

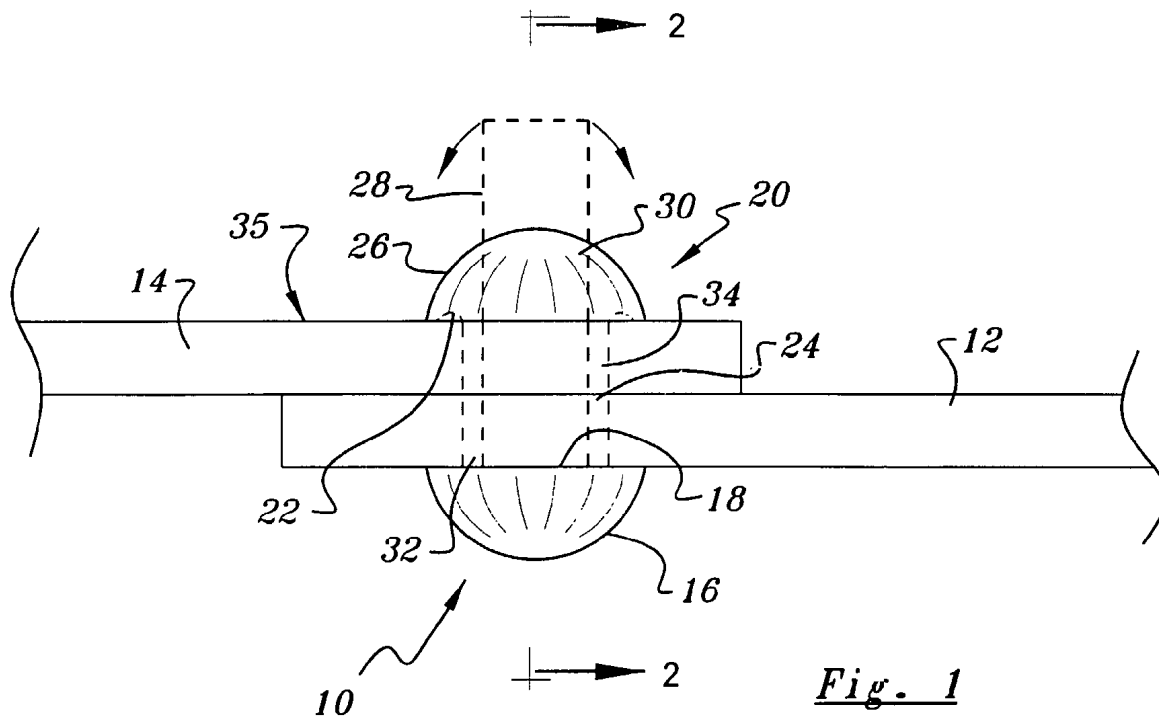


Fig. 1

(57) Abstract: A unified multi-part head for a staked fastener wherein the unified multi-part head is made from a first member in combination with a supplemental member, and the two members have at least one shared fiber. In a staking operation that forms the unified multi-part head, the operation is conducted in such a manner that a portion of a fiber, initially within the first member or the supplemental member, crosses the boundary therebetween creating the shared fiber, i.e., a segment of a single fiber is embedded in the first member and a segment is embedded in the supplemental member.



WO 2006/039169 A3

INTERNATIONAL SEARCH REPORT

International application No.

PCT/US05/33890

A. CLASSIFICATION OF SUBJECT MATTER

IPC: F16B 19/04(2006.01);B21J 15/08(2006.01)

USPC: 411/501,900,908;29/525.07

According to International Patent Classification (IPC) or to both national classification and IPC

B. FIELDS SEARCHED

Minimum documentation searched (classification system followed by classification symbols)

U.S. : 411/501, 504-507, 900, 908; 29/525.07

Documentation searched other than minimum documentation to the extent that such documents are included in the fields searched

Electronic data base consulted during the international search (name of data base and, where practicable, search terms used)

C. DOCUMENTS CONSIDERED TO BE RELEVANT

Category *	Citation of document, with indication, where appropriate, of the relevant passages	Relevant to claim No.
X	US 5,361,483 (RAINVILLE et al.) 08 November 1994 (08.11.1994), entire document.	1-36

Further documents are listed in the continuation of Box C.

See patent family annex.

* Special categories of cited documents:

"A" document defining the general state of the art which is not considered to be of particular relevance

"E" earlier application or patent published on or after the international filing date

"L" document which may throw doubts on priority claim(s) or which is cited to establish the publication date of another citation or other special reason (as specified)

"O" document referring to an oral disclosure, use, exhibition or other means

"P" document published prior to the international filing date but later than the priority date claimed

"T"

later document published after the international filing date or priority date and not in conflict with the application but cited to understand the principle or theory underlying the invention

"X"

document of particular relevance; the claimed invention cannot be considered novel or cannot be considered to involve an inventive step when the document is taken alone

"Y"

document of particular relevance; the claimed invention cannot be considered to involve an inventive step when the document is combined with one or more other such documents, such combination being obvious to a person skilled in the art

"&"

document member of the same patent family

Date of the actual completion of the international search

10 June 2008 (10.06.2008)

Date of mailing of the international search report


01 JUL 2008

Name and mailing address of the ISA/US

Mail Stop PCT, Attn: ISA/US
Commissioner for Patents
P.O. Box 1450
Alexandria, Virginia 22313-1450

Facsimile No. (571) 273-3201

Authorized officer

Flemming Saether 
Telephone No. 703-308-1113