



US0D1024576S

(12) **United States Design Patent**
Song

(10) **Patent No.:** **US D1,024,576 S**

(45) **Date of Patent:** **** Apr. 30, 2024**

(54) **PAINT ROLLER**

(71) Applicant: **SHENZHEN YOUCHEG**
INTERACTIVE MEDIA CO., LTD.,
Shenzhen (CN)

(72) Inventor: **Guanyu Song**, Shenzhen (CN)

(**) Term: **15 Years**

(21) Appl. No.: **29/799,334**

(22) Filed: **Jul. 14, 2021**

(51) **LOC (14) Cl.** **04-04**

(52) **U.S. Cl.**
USPC **D4/122**

(58) **Field of Classification Search**
USPC D4/114, 121, 122, 137, 138, 199
CPC A46B 1/00; A46B 5/00; A46B 5/0075;
A46B 5/0095; A46B 5/02; A46B 5/021;
A46B 5/023; A46B 5/025; A46B 5/026;
A46B 7/00; A46B 7/04; A46B 7/042;
A46B 7/044; A46B 7/06; A46B 7/10;
A46B 11/00; A46B 11/001; A46B
11/0013; A46B 11/0017; A46B 11/0062;
A46B 11/0065; A46B 11/0068; A46B
11/0072; A46B 11/0079; A46B 11/0082;
A46B 11/0086; A46B 11/0089; A46B
13/00; A46B 13/001; A46B 13/08; A46B
2200/00; A46B 2200/20; A46B 2200/202;
B05C 1/00; B05C 1/02; B05C 1/08;
B05C 17/02; B05C 17/0205; B05C
17/0212; B05C 17/0222; B05C 17/0225;
B05C 17/0227

See application file for complete search history.

(56) **References Cited**

U.S. PATENT DOCUMENTS

D311,280 S * 10/1990 Garcia D4/122
D483,571 S * 12/2003 Khubani D4/122
D622,063 S * 8/2010 Isaac D4/122

D690,944 S * 10/2013 Lee D4/122
D964,749 S * 9/2022 Zeng D4/122
D995,120 S * 8/2023 Lu D4/122
2004/0040111 A1* 3/2004 Er B05C 17/025
492/19
2005/0141950 A1* 6/2005 Er B05C 17/025
401/197
2007/0067936 A1* 3/2007 Hodges B05C 17/0217
492/19
2007/0266513 A1* 11/2007 Halker B05C 17/02
15/230.11

(Continued)

OTHER PUBLICATIONS

Saker Paint Roller Kit, posted Oct. 8, 2021 [online], [retrieved Jan. 30, 2024]. Retrieved from internet, <https://www.amazon.com/dp/B09HZM1NW9/> (Year: 2021).*

(Continued)

Primary Examiner — Alison M Ofstun
Assistant Examiner — Evin F Ershock
(74) *Attorney, Agent, or Firm* — Daniel M. Cohn;
Howard M. Cohn

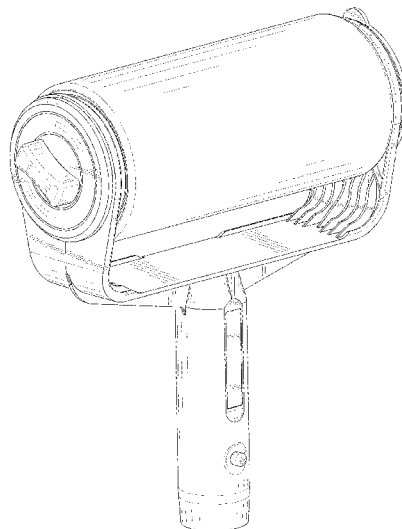
(57) **CLAIM**

The ornamental design for a paint roller, as shown and described.

DESCRIPTION

FIG. 1 is a perspective view of a paint roller showing my new design;
FIG. 2 is another perspective view thereof;
FIG. 3 is a front elevational view thereof;
FIG. 4 is a rear elevational view thereof;
FIG. 5 is a left side elevational view thereof;
FIG. 6 is a right side elevational view thereof;
FIG. 7 is a top plan view thereof; and,
FIG. 8 is a bottom plan view thereof.
The broken lines in the drawings depict portions of the paint roller that form no part of the claimed design.

1 Claim, 8 Drawing Sheets



(56)

References Cited

U.S. PATENT DOCUMENTS

2008/0276400 A1* 11/2008 Graham B05C 17/0217
15/230.11
2009/0133207 A1* 5/2009 Dale B05C 17/0217
15/230.11
2020/0376517 A1* 12/2020 Zeller B05C 17/0217

OTHER PUBLICATIONS

Tourace® 9Pcs/set Paint Roller Set, posted Jan. 16, 2018 [online],
[retrieved Jan. 30, 2024]. Retrieved from internet, <https://www.amazon.com/dp/B0792Q9MHR/> (Year: 2018).*

* cited by examiner

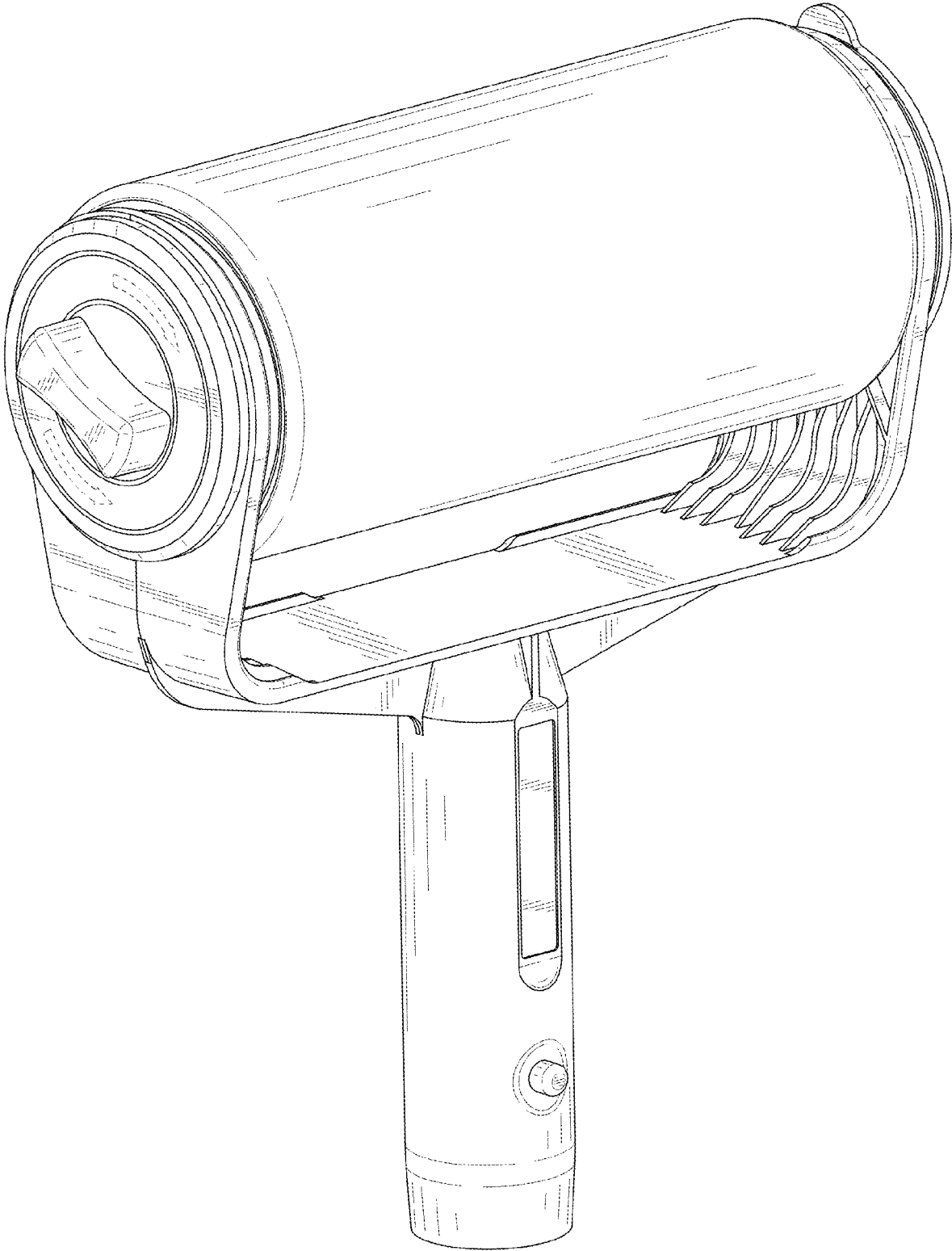


FIG. 1

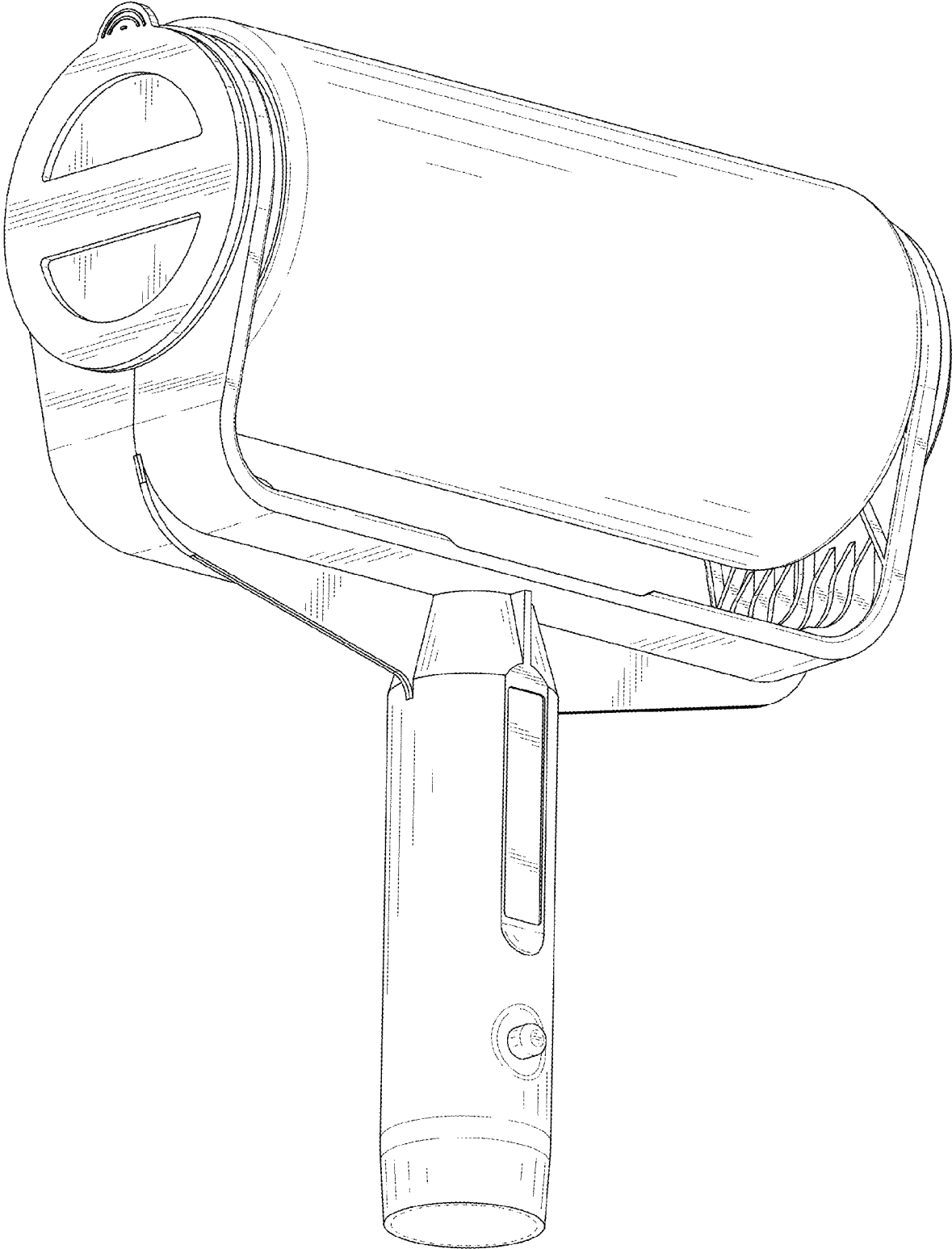


FIG. 2

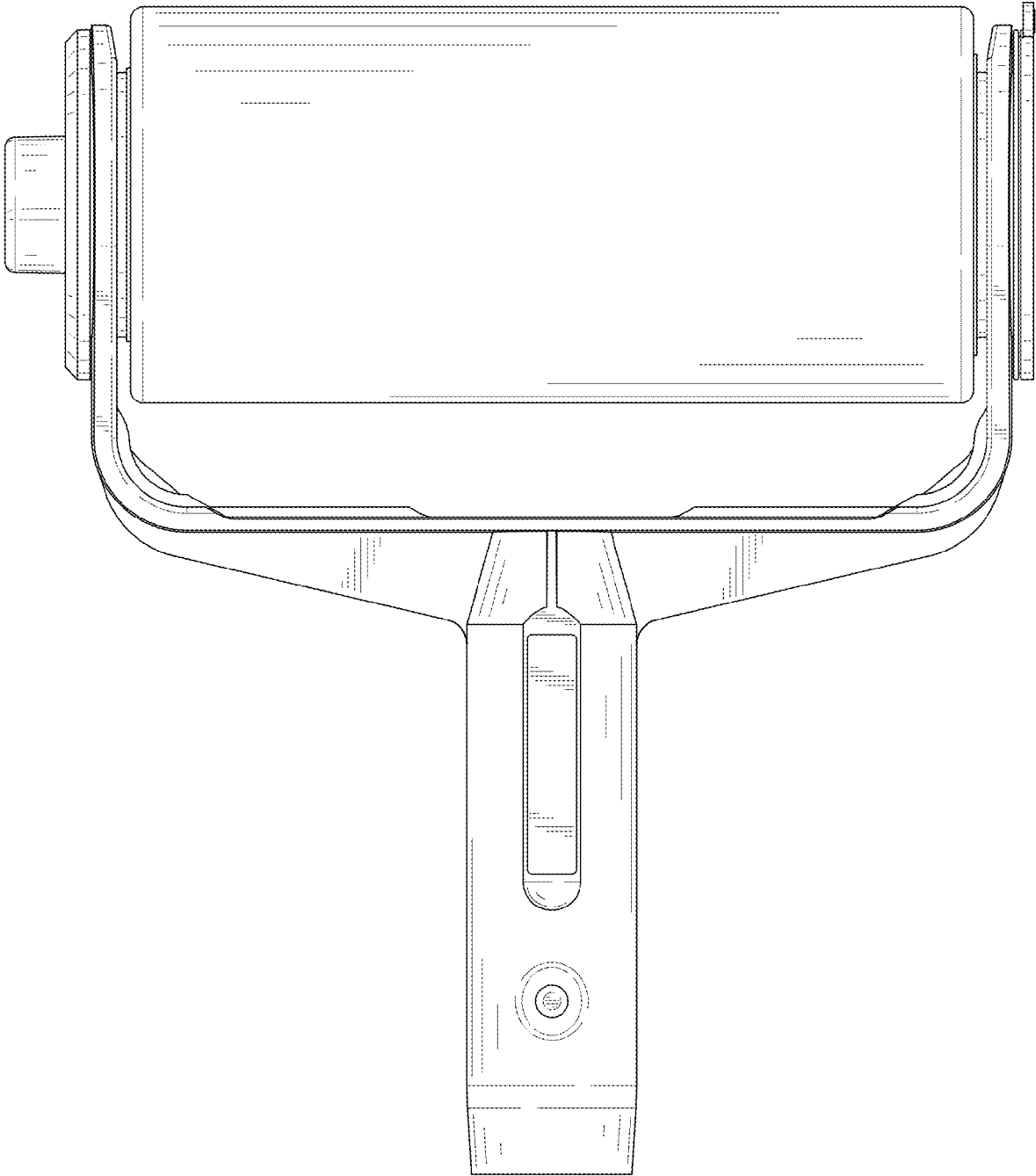


FIG. 3

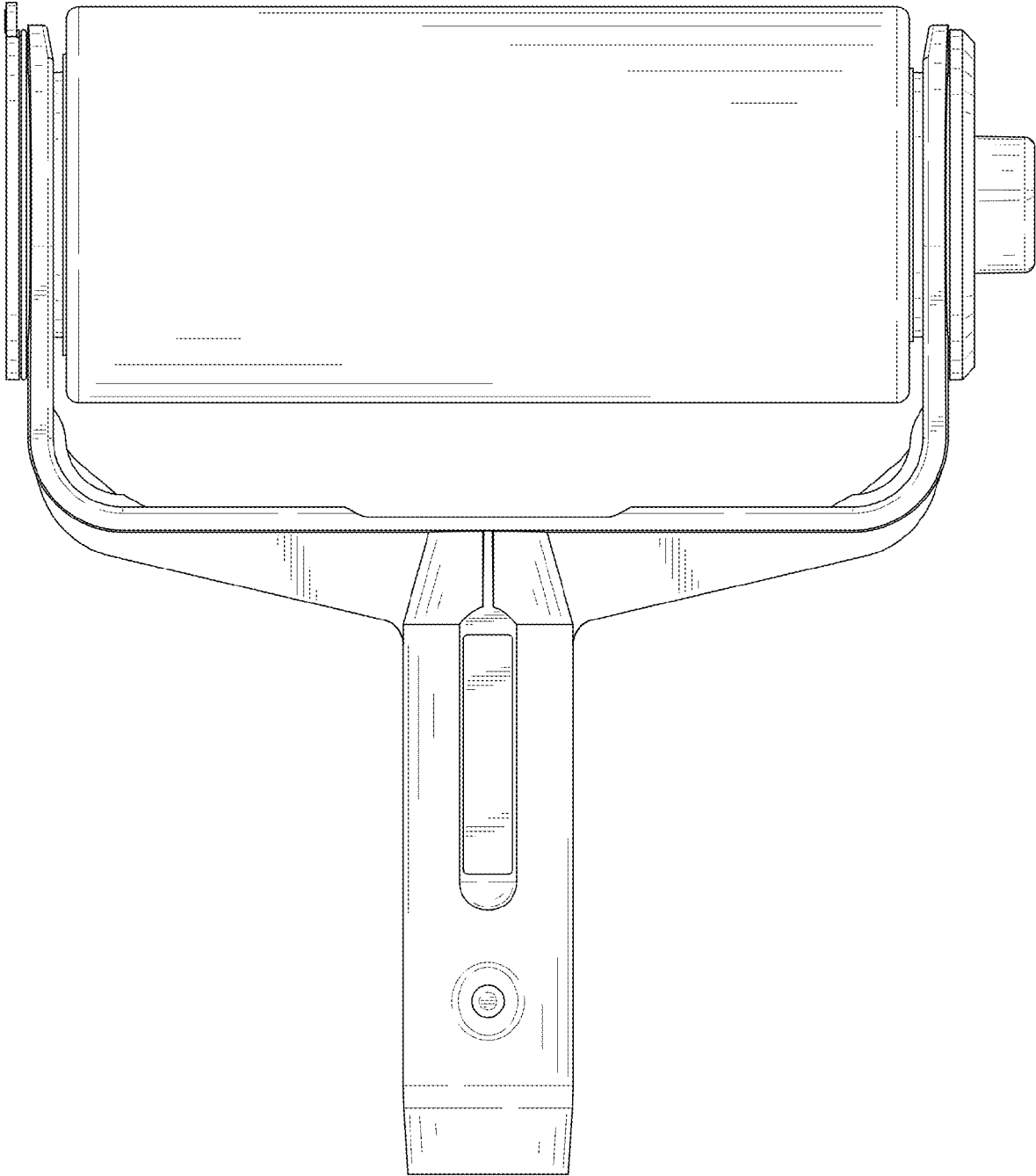


FIG. 4

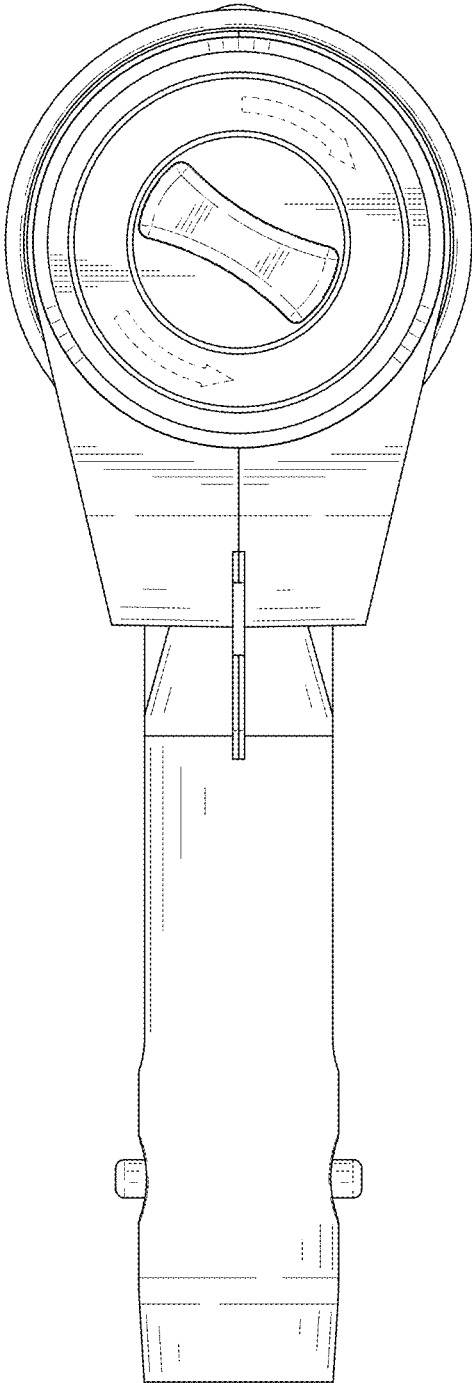


FIG. 5

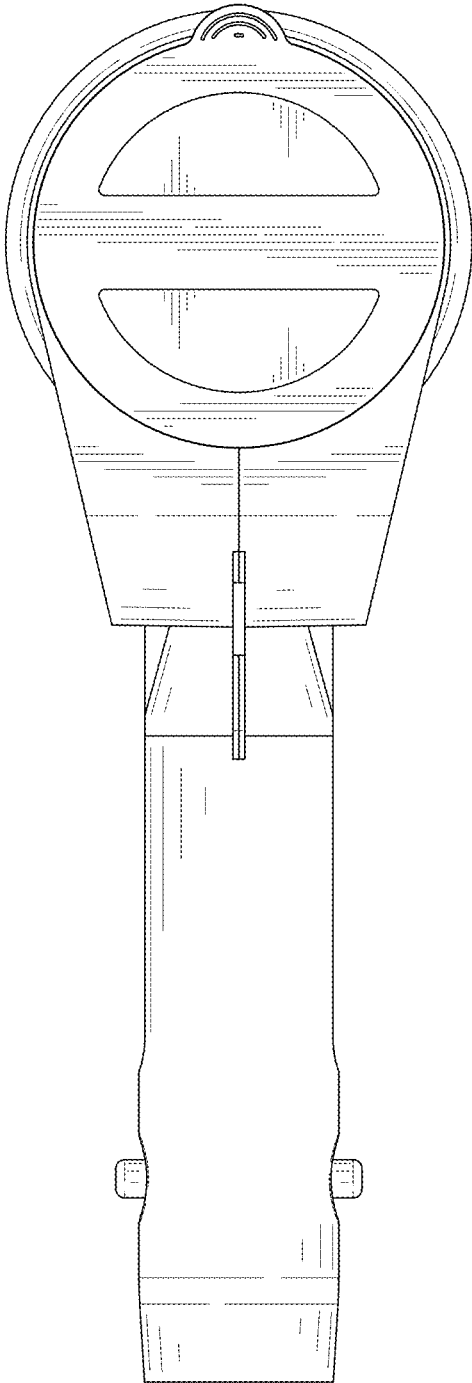


FIG. 6

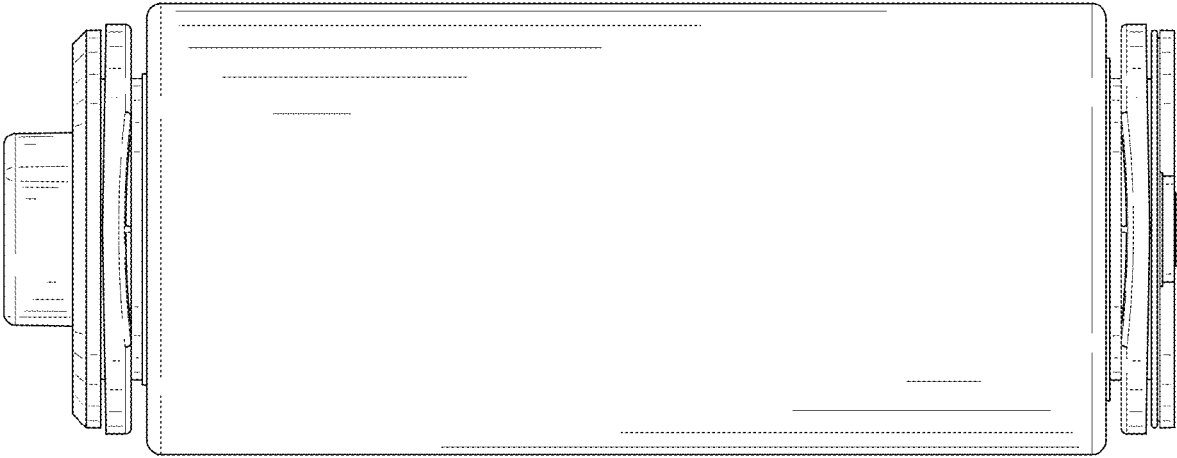


FIG. 7

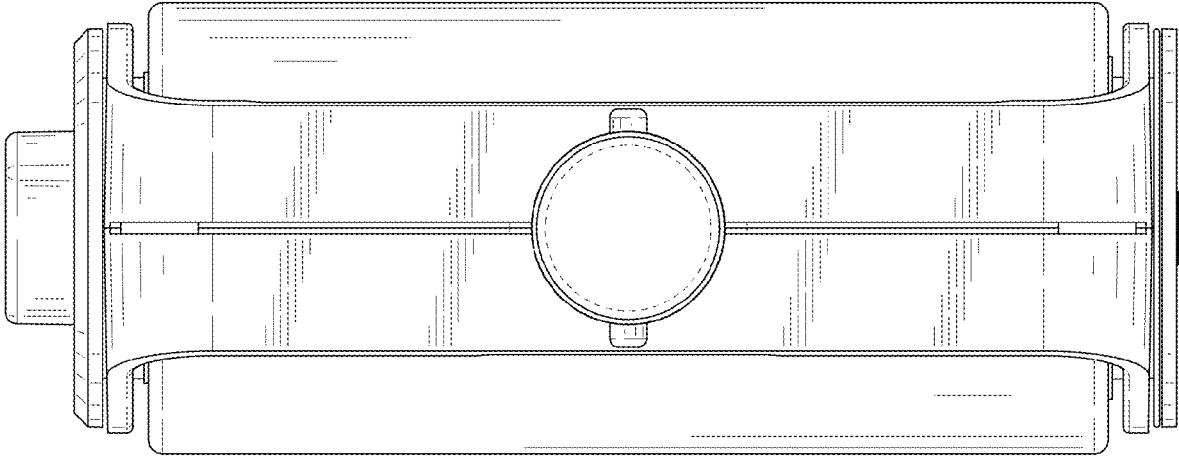


FIG. 8