

(19) World Intellectual Property Organization  
International Bureau



(43) International Publication Date  
27 April 2006 (27.04.2006)

PCT

(10) International Publication Number  
WO 2006/044613 A3

(51) International Patent Classification:  
A63H 33/04 (2006.01)

(74) Agents: BEDNAREK, Michael et al.; Paul, Hastings, Janofsky & Walker LLP, 875 15th Street, N.W., Washington, DC 20005 (US).

(21) International Application Number:  
PCT/US2005/036958

(22) International Filing Date: 14 October 2005 (14.10.2005)

(25) Filing Language: English

(26) Publication Language: English

(30) Priority Data:  
60/619,277 15 October 2004 (15.10.2004) US

(81) Designated States (unless otherwise indicated, for every kind of national protection available): AE, AG, AL, AM, AT, AU, AZ, BA, BB, BG, BR, BW, BY, BZ, CA, CH, CN, CO, CR, CU, CZ, DE, DK, DM, DZ, EC, EE, EG, ES, FI, GB, GD, GE, GH, GM, HR, HU, ID, IL, IN, IS, JP, KE, KG, KM, KP, KR, KZ, LC, LK, LR, LS, LT, LU, LV, LY, MA, MD, MG, MK, MN, MW, MX, MZ, NA, NG, NI, NO, NZ, OM, PG, PH, PL, PT, RO, RU, SC, SD, SE, SG, SK, SL, SM, SY, TJ, TM, TN, TR, TT, TZ, UA, UG, US, UZ, VC, VN, YU, ZA, ZM, ZW.

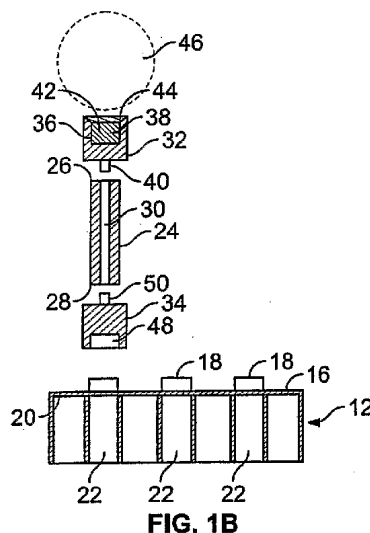
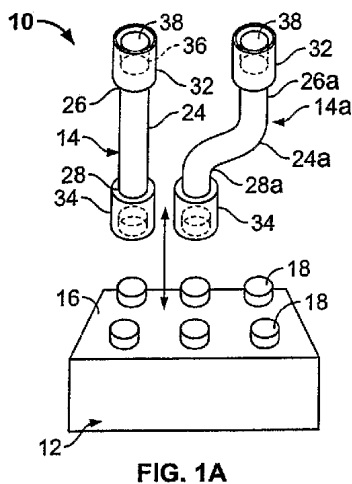
(71) Applicant (for all designated States except US): MEGA BRANDS INTERNATIONAL, LUXEMBOURG, ZUG BRANCH [CH/CH]; Poststrasse 6, CH-6300 Zug (CH).

(84) Designated States (unless otherwise indicated, for every kind of regional protection available): ARIPO (BW, GH, GM, KE, LS, MW, MZ, NA, SD, SL, SZ, TZ, UG, ZM, ZW), Eurasian (AM, AZ, BY, KG, KZ, MD, RU, TJ, TM), European (AT, BE, BG, CH, CY, CZ, DE, DK, EE, ES, FI, FR, GB, GR, HU, IE, IS, IT, LT, LU, LV, MC, NL, PL, PT, RO, SE, SI, SK, TR), OAPI (BF, BJ, CF, CG, CI, CM, GA, GN, GQ, GW, ML, MR, NE, SN, TD, TG).

(72) Inventors: KOWALSKI, Charles, J.; 113 Oak Street, Ridgewood, NJ 07450 (US). ROSEN, Lawrence, I.; 10 Valley View Drive, Mendham, NJ 07945 (US). DAFTARI, Parviz; 768 Springfield Avenue, Unit B2, Summit, NJ 07901 (US).

[Continued on next page]

(54) Title: MAGNETIC CONSTRUCTION KIT ADAPTED FOR USE WITH CONSTRUCTION BLOCKS



(57) Abstract: A magnetic construction kit is provided for connecting base blocks with a variety of connecting rods. The construction kit includes a base block and a connecting rod having at least one magnetic connector suitable for cooperating with another magnet and/or for holding a spherical object. A stud connector can be included for attachment of the connecting rod to a stud of the base block. The stud connector may mechanically connect onto a stud extending from an exposed surface of the base block. Alternatively, the stud and stud connector may also have a magnetic attachment by providing a magnet in the stud connector and providing a stud made of, or coated with, a ferromagnetic material. The construction kit may also include different connecting rod structures that are suitable for achieving mechanical and/or magnetic connections to different sized base blocks.

WO 2006/044613 A3



**Published:**

— *with international search report*

**(88) Date of publication of the international search report:**

14 May 2009

## INTERNATIONAL SEARCH REPORT

International application No.

PCT/US05/36958

## A. CLASSIFICATION OF SUBJECT MATTER

IPC(8) - A63H 33/04 (2006.01)

USPC - 466/92

According to International Patent Classification (IPC) or to both national classification and IPC

## B. FIELDS SEARCHED

Minimum documentation searched (classification system followed by classification symbols)

IPC(8) - A63H 33/00, 33/04 (2006.01)

USPC - 446/85, 92, 124, 129, 137; 472; 473

Documentation searched other than minimum documentation to the extent that such documents are included in the fields searched

Electronic data base consulted during the international search (name of data base and, where practicable, search terms used)

MicroPatent

## C. DOCUMENTS CONSIDERED TO BE RELEVANT

Category*	Citation of document, with indication, where appropriate, of the relevant passages	Relevant to claim No.
X	US 6,702,641 B2 (OAKLEY) 09 March 2004 (09.03.2004) cols. 3 and 4	13-17
---		---
Y		18-20
Y	US 6,626,727 B2 (BALANCHI) 30 September 2003 (30.09.2003) col. 3	18-20
A	US 5,009,625 A (LONGUET HIGGINS) 23 April 1991 (23.04.1991) entire document	1-20
A	US 3,601,921 A (STROHMAIER) 23 August 1971 (23.08.1971) entire document	1-20
A	US 3,184,882 A (VEGA) 25 May 1965 (25.05.1965) entire document	1-20

 Further documents are listed in the continuation of Box C. 

\* Special categories of cited documents:

"A" document defining the general state of the art which is not considered to be of particular relevance

"E" earlier application or patent but published on or after the international filing date

"L" document which may throw doubts on priority claim(s) or which is cited to establish the publication date of another citation or other special reason (as specified)

"O" document referring to an oral disclosure, use, exhibition or other means

"P" document published prior to the international filing date but later than the priority date claimed

"T" later document published after the international filing date or priority date and not in conflict with the application but cited to understand the principle or theory underlying the invention

"X" document of particular relevance; the claimed invention cannot be considered novel or cannot be considered to involve an inventive step when the document is taken alone

"Y" document of particular relevance; the claimed invention cannot be considered to involve an inventive step when the document is combined with one or more other such documents, such combination being obvious to a person skilled in the art

"&amp;" document member of the same patent family

Date of the actual completion of the international search

15 January 2007

Date of mailing of the international search report

02 APR 2008

Name and mailing address of the ISA/US

Mail Stop PCT, Attn: ISA/US, Commissioner for Patents  
P.O. Box 1450, Alexandria, Virginia 22313-1450

Facsimile No. 571-273-3201

Authorized officer:

Blaine R. Copenheaver

PCT Helpdesk: 571-272-4300  
PCT OSP: 571-272-7774