



US00D720426S

(12) **United States Design Patent**
Fernández Cantalejo et al.

(10) **Patent No.:** **US D720,426 S**

(45) **Date of Patent:** **** Dec. 30, 2014**

(54) **SWIMMING POOL CLEANER**

(56) **References Cited**

(71) Applicants: **Carlos Fernández Cantalejo**, Polinya (ES); **Emilio Serrano Sánchez**, Polinya (ES)

U.S. PATENT DOCUMENTS

3,169,920 A * 2/1965 Payne 210/167.1
D242,705 S * 12/1976 Fedrigo D23/207
4,900,432 A * 2/1990 Arnold et al. 210/91
7,081,200 B2 * 7/2006 Planas Valls 210/232
7,291,261 B1 * 11/2007 Rhodes et al. 210/167.11

(72) Inventors: **Carlos Fernández Cantalejo**, Polinya (ES); **Emilio Serrano Sánchez**, Polinya (ES)

* cited by examiner

(73) Assignee: **Metalast, S.A.**, Polinya (Barcelona) (ES)

Primary Examiner — Robin V Webster

(**) Term: **14 Years**

(74) *Attorney, Agent, or Firm* — Ostrolenk Faber LLP

(21) Appl. No.: **29/443,568**

(57) **CLAIM**

The ornamental design for a swimming pool cleaner, as shown.

(22) Filed: **Jan. 18, 2013**

DESCRIPTION

(30) **Foreign Application Priority Data**

Jul. 20, 2012 (EM) 002077099-0001

(51) **LOC (10) Cl.** **23-01**

(52) **U.S. Cl.**
USPC **D23/208; D23/210**

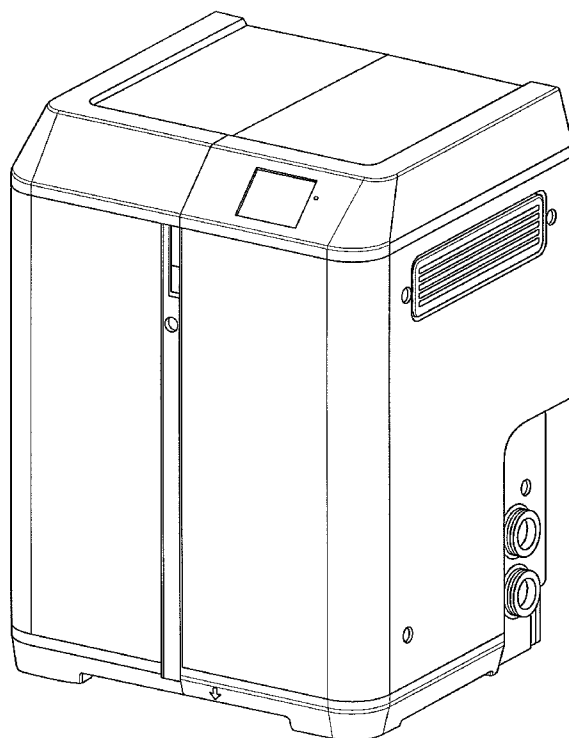
(58) **Field of Classification Search**
USPC D23/207, 208, 209, 210; 210/416.2,
210/167.1, 167.2, 167.11, 167.26

FIG. 1 is a front view of a swimming pool cleaner showing my new design;
FIG. 2 is a side view thereof;
FIG. 3 is an opposite side view thereof;
FIG. 4 is a top view thereof
FIG. 5 is a perspective view thereof;
FIG. 6 is another perspective view thereof; and,
FIG. 7 is a bottom view thereof.

The broken line showing is included for the purpose of illustrating and forms no part of the claimed design.

See application file for complete search history.

1 Claim, 7 Drawing Sheets



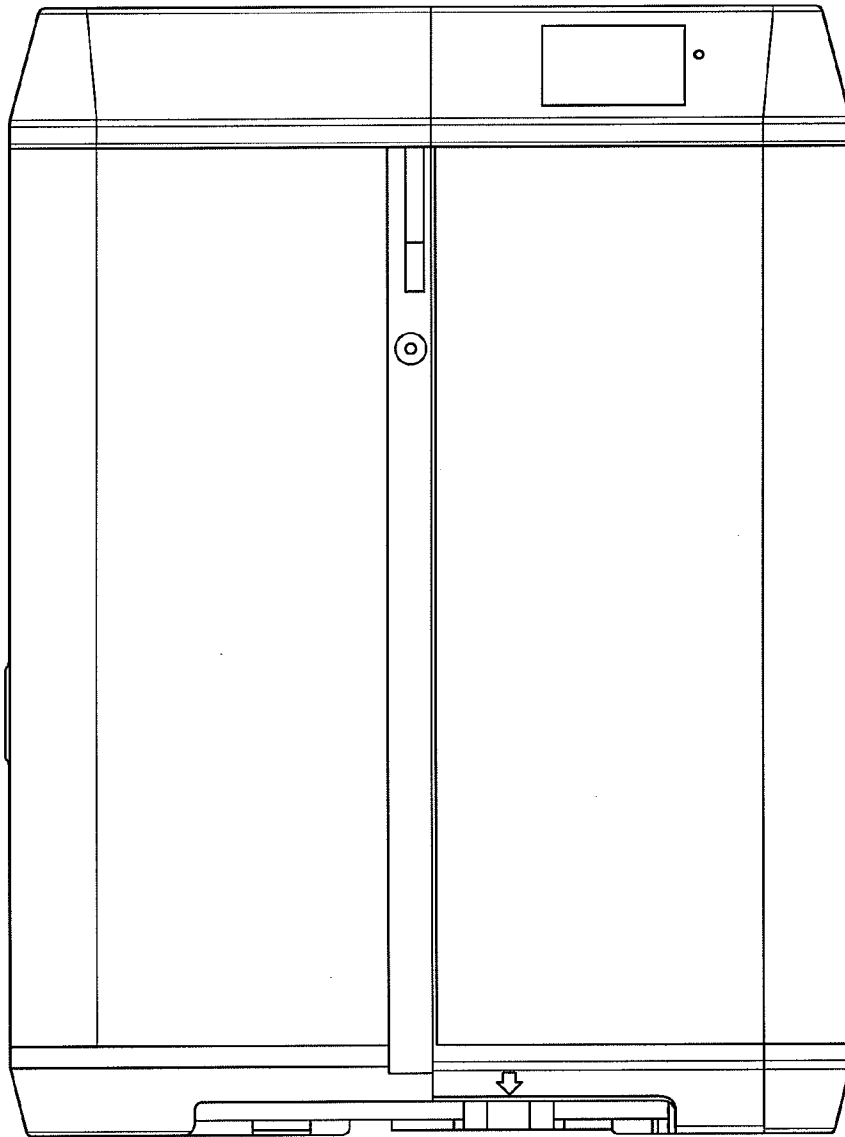


FIG. 1

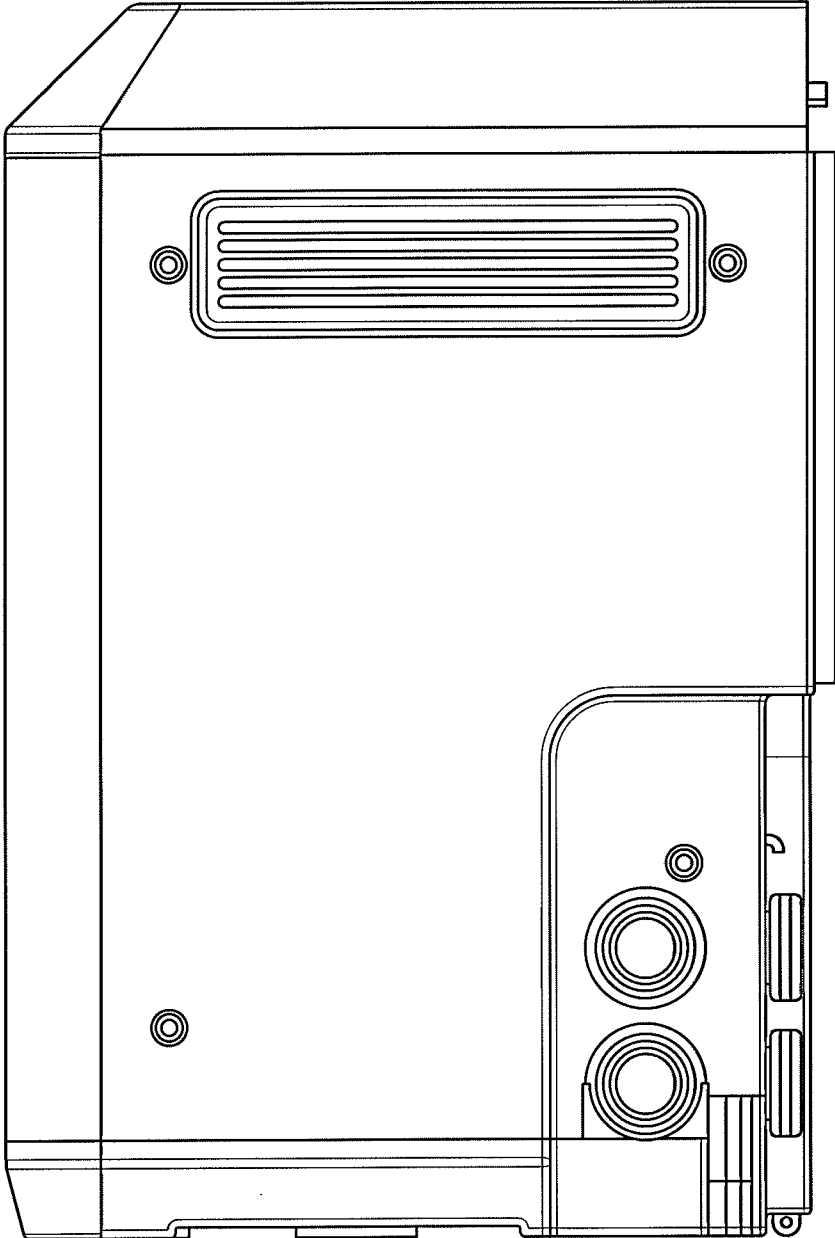


FIG. 2

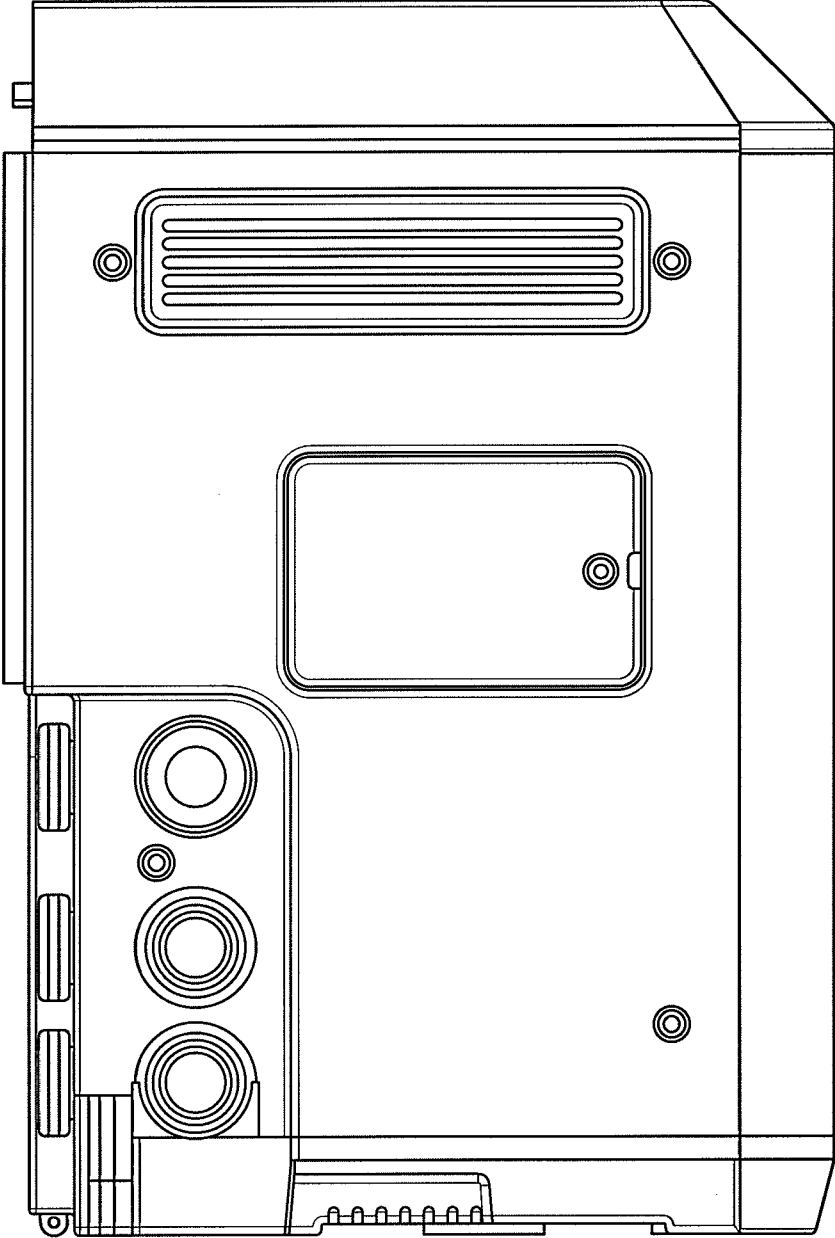


FIG. 3

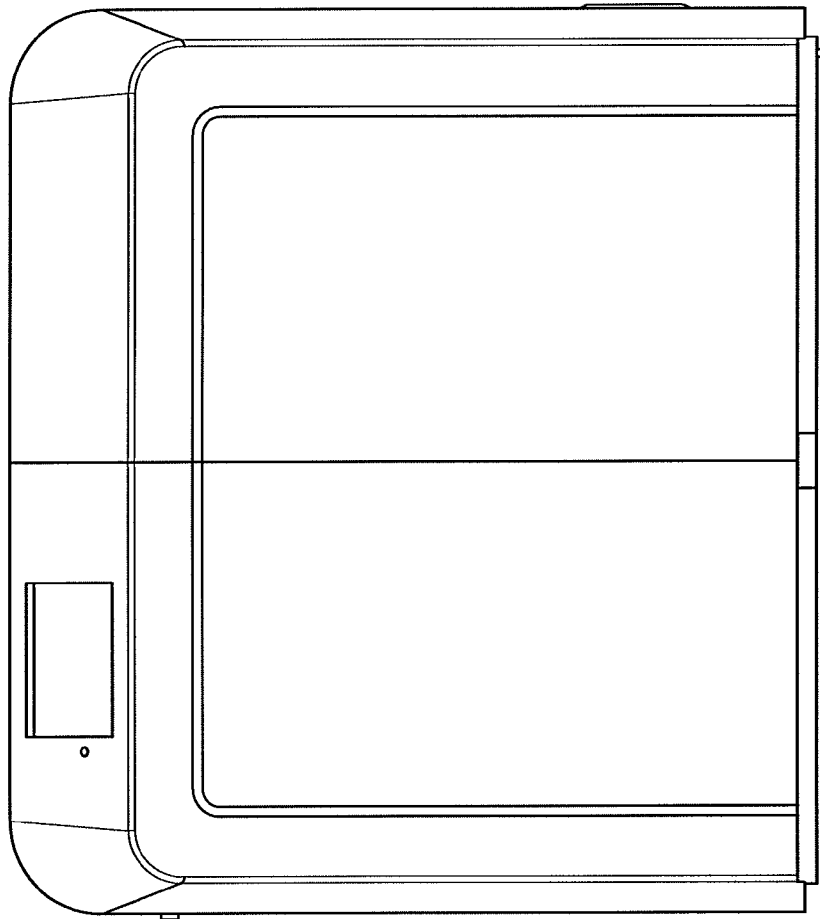


FIG. 4

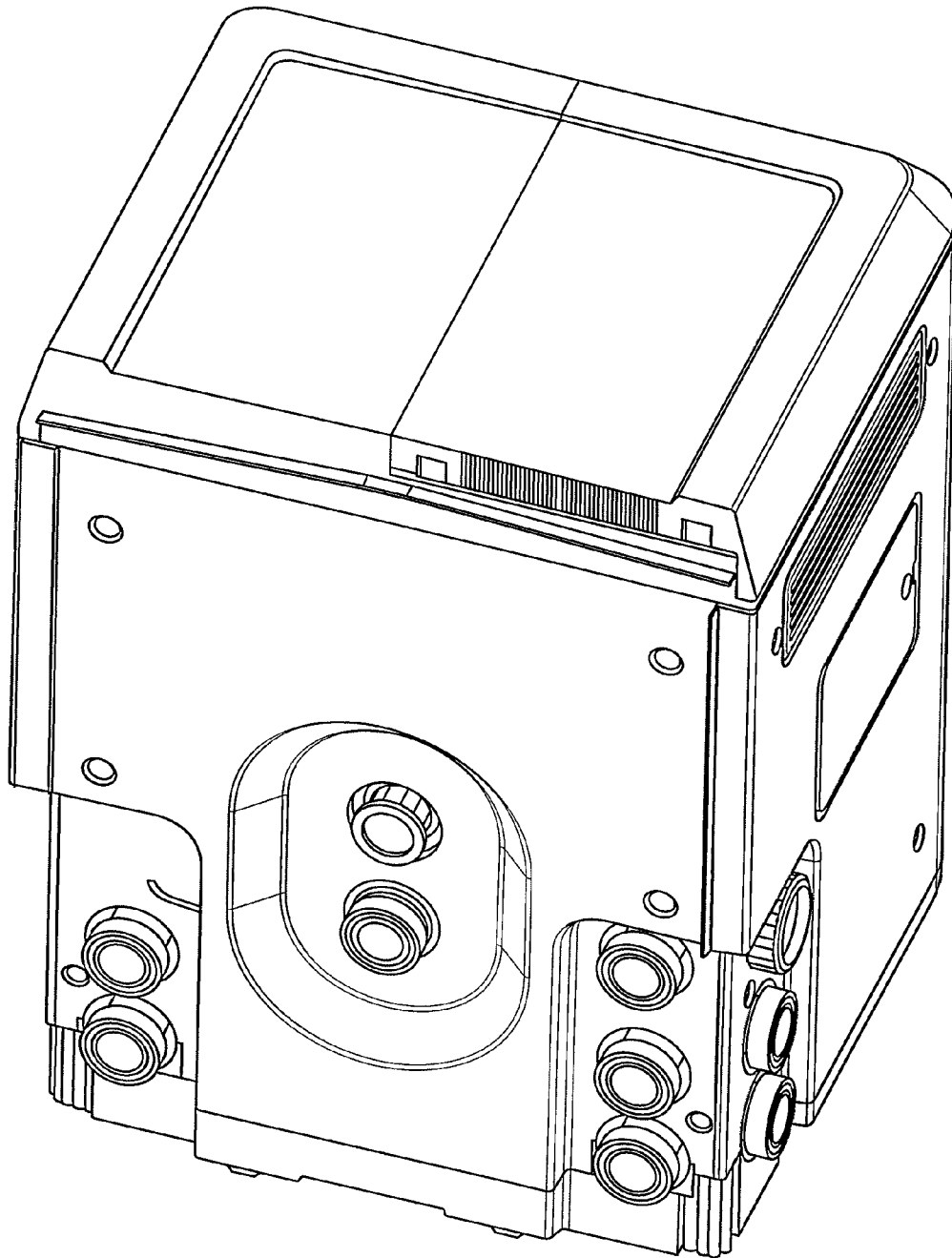


FIG. 5

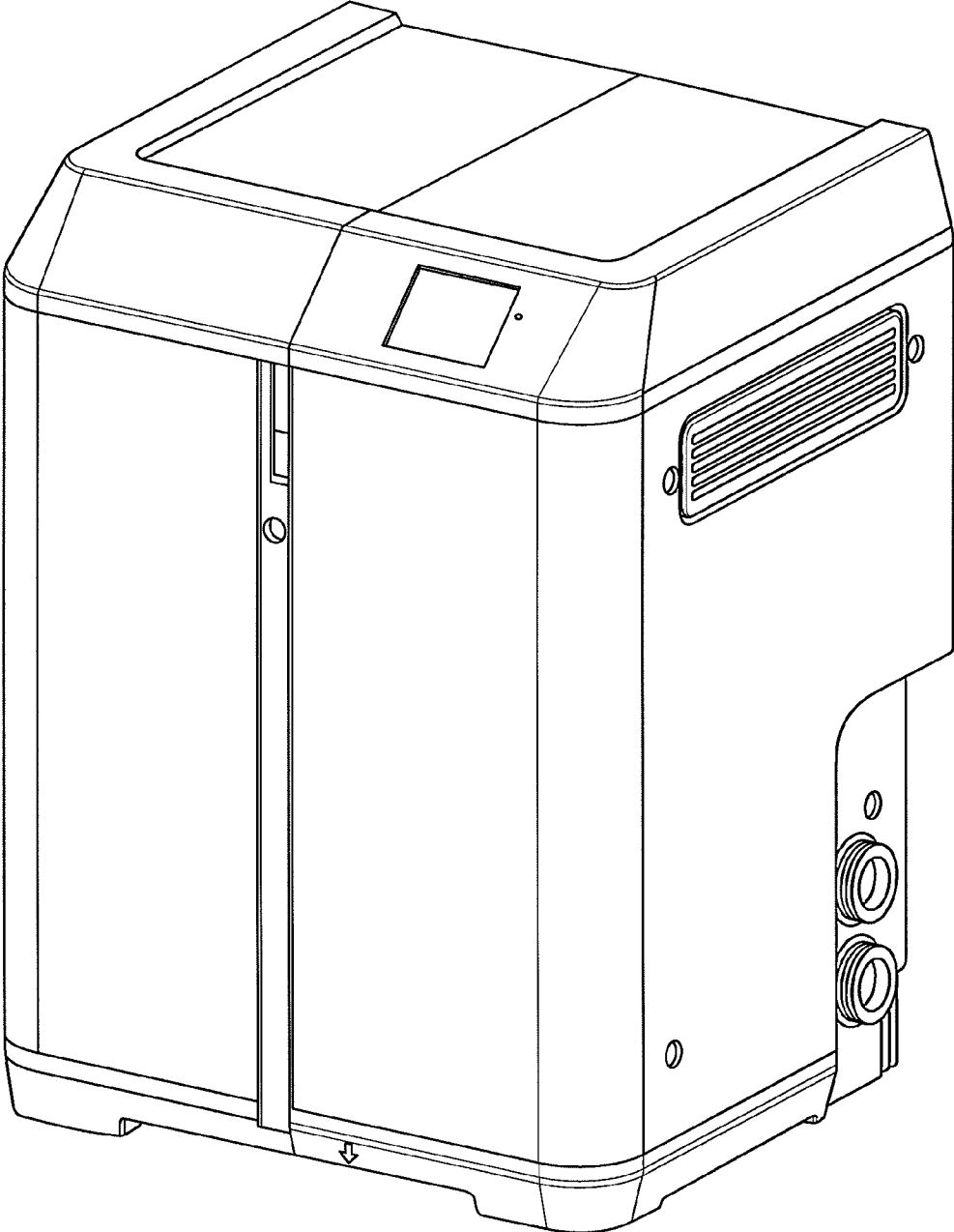


FIG. 6

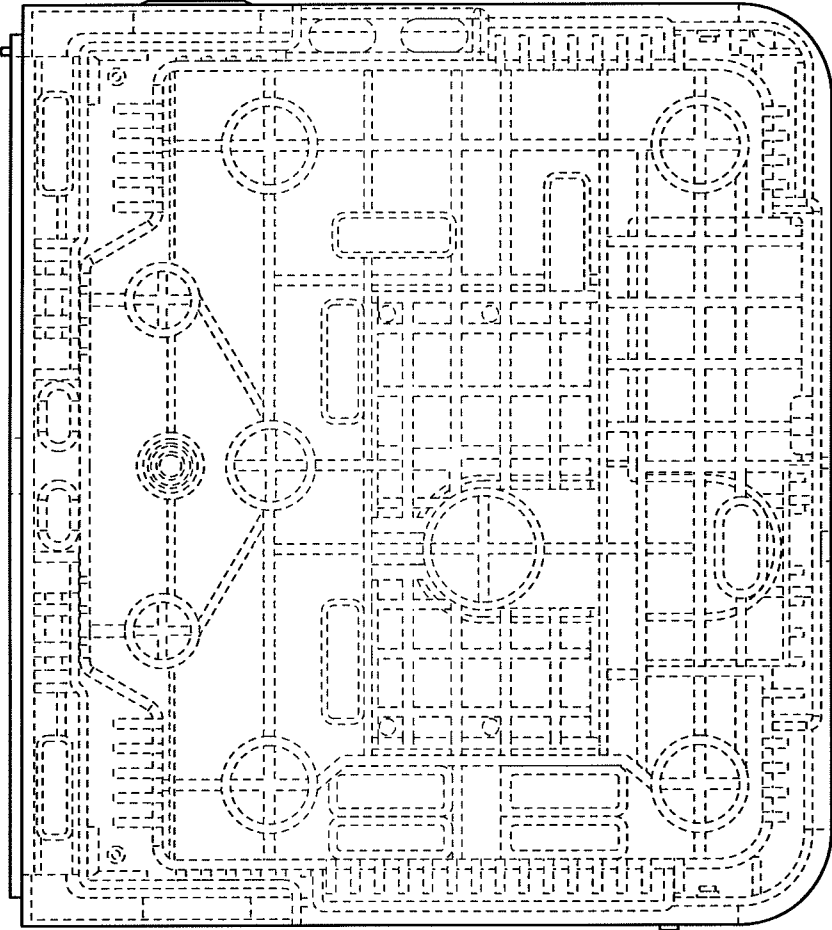


FIG. 7