

(19) World Intellectual Property Organization  
International Bureau



(43) International Publication Date  
22 May 2008 (22.05.2008)

PCT

(10) International Publication Number  
**WO 2008/060565 A3**

- (51) **International Patent Classification:**  
A61C 8/00 (2006.01)
- (21) **International Application Number:**  
PCT/US2007/023926
- (22) **International Filing Date:**  
14 November 2007 (14.11.2007)
- (25) **Filing Language:** English
- (26) **Publication Language:** English
- (30) **Priority Data:**  
60/858,693 14 November 2006 (14.11.2006) US
- (71) **Applicant and**
- (72) **Inventor:** URDANETA, Rainier, A. [US/US]; 25 Prairie Avenue, Auburndale, MA 02466 (US).
- (74) **Agent:** GULBIN, John, E; Day Pitney LLP, 7 Times Square, New York, NY 10036 (US).
- (81) **Designated States** (unless otherwise indicated, for every kind of national protection available): AE, AG, AL, AM, AT, AU, AZ, BA, BB, BG, BH, BR, BW, BY, BZ, CA, CH, CN, CO, CR, CU, CZ, DE, DK, DM, DO, DZ, EC, EE, EG,

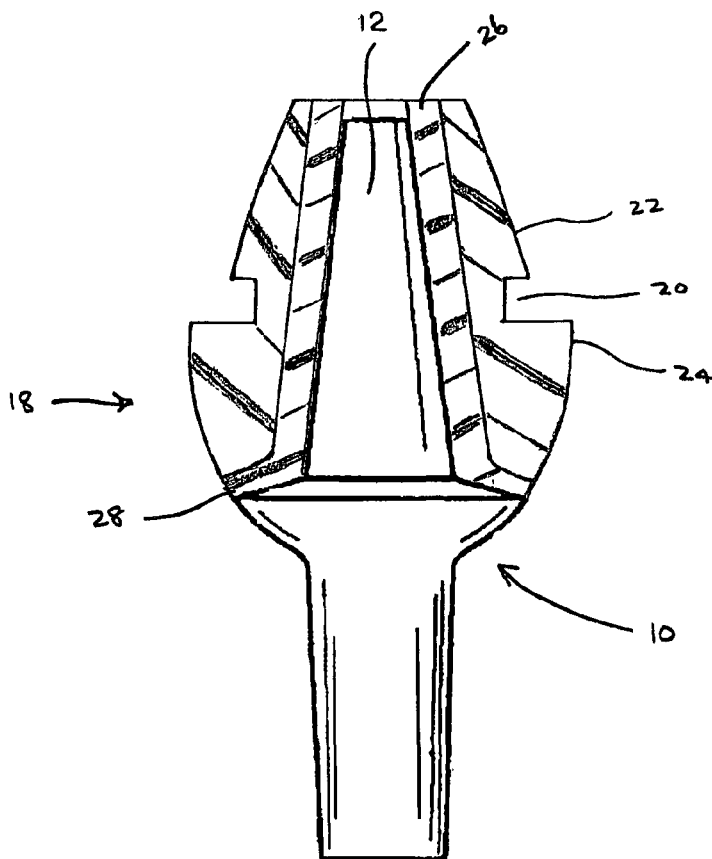
ES, FI, GB, GD, GE, GH, GM, GT, HN, HR, HU, ID, IL, IN, IS, JP, KE, KG, KM, KN, KP, KR, KZ, LA, LC, LK, LR, LS, LT, LU, LY, MA, MD, ME, MG, MK, MN, MW, MX, MY, MZ, NA, NG, NI, NO, NZ, OM, PG, PH, PL, PT, RO, RS, RU, SC, SD, SE, SG, SK, SL, SM, SV, SY, TJ, TM, TN, TR, TT, TZ, UA, UG, US, UZ, VC, VN, ZA, ZM, ZW

(84) **Designated States** (unless otherwise indicated, for every kind of regional protection available): ARIPO (BW, GH, GM, KE, LS, MW, MZ, NA, SD, SL, SZ, TZ, UG, ZM, ZW), Eurasian (AM, AZ, BY, KG, KZ, MD, RU, TJ, TM), European (AT, BE, BG, CH, CY, CZ, DE, DK, EE, ES, FI, FR, GB, GR, HU, IE, IS, IT, LT, LU, LV, MC, MT, NL, PL, PT, RO, SE, SI, SK, TR), OAPI (BF, BJ, CF, CG, CI, CM, GA, GN, GQ, GW, ML, MR, NE, SN, TD, TG).

**Published:**  
— with international search report  
— before the expiration of the time limit for amending the claims and to be republished in the event of receipt of amendments

[Continued on next page]

(54) **Title:** RESILIENT COPING FOR IMMEDIATE LOADING OF DENTAL IMPLANTS



(57) **Abstract:** A resilient coping for use in the immediate loading of a newly placed dental implant with a temporary tooth has a resilient liner to prevent movement of the temporary tooth mounted on the resilient coping from being transmitted to the implant, thereby promoting its osseointegration.



WO 2008/060565 A3



---

**(88) Date of publication of the international search report:**  
4 September 2008

## INTERNATIONAL SEARCH REPORT

International application No

PCT/US2007/023926

<b>A CLASSIFICATION OF SUBJECT MATTER</b> IPC(8) - A61 C 8/00 (2008.01 ) USPC - 433/173 According to International Patent Classification (IPC) or to both national classification and IPC		
<b>B FIELDS SEARCHED</b> Minimum documentation searched (classification system followed by classification symbols) IPC(8) - A61C 8/00 (2008 01) USPC - 433/173 Documentation searched other than minimum documentation to the extent that such documents are included in the fields searched Electronic data base consulted during the international search (name of data base and, where practicable, search terms used) PatBase		
<b>C DOCUMENTS CONSIDERED TO BE RELEVANT</b>		
Category*	Citation of document, with indication, where appropriate, of the relevant passages	Relevant to claim No
Y	US 5,749,731 A (MORGAN et al) 12 May 1998 (12 05 1998) entire document	1-6
Y	US 2001/0051671 A 1 (LU et al) 13 December 2001 (13 12 2001) entire document	1-6
<b>D</b> Further documents are listed in the continuation of Box C <input type="checkbox"/>		
* Special categories of cited documents "A" document defining the general state of the art which is not considered to be of particular relevance "E" earlier application or patent but published on or after the international filing date "L" document which may throw doubts on priority claim(s) or which is cited to establish the publication date of another citation or other special reason (as specified) "O" document referring to an oral disclosure, use, exhibition or other means "P" document published prior to the international filing date but later than the priority date claimed "T" later document published after the international filing date or priority date and not in conflict with the application but cited to understand the principle or theory underlying the invention "X" document of particular relevance, the claimed invention cannot be considered novel or cannot be considered to involve an inventive step when the document is taken alone "Y" document of particular relevance, the claimed invention cannot be considered to involve an inventive step when the document is combined with one or more other such documents, such combination being obvious to a person skilled in the art "&" document member of the same patent family		
Date of the actual completion of the international search 02 April 2008		Date of mailing of the international search report <b>23 JUN 2008</b>
Name and mailing address of the ISA/US Mail Stop PCT, Attn ISA/US, Commissioner for Patents P O Box 1450, Alexandria, Virginia 22313-1450 Facsimile No 571-273-320 1		Authorized officer Blaine R Copeπtheaver PCT Helpdesk 571-272-4300 PCTOSP 571-272-7774