



US00D875305S

(12) **United States Design Patent**
Lai

(10) **Patent No.:** **US D875,305 S**

(45) **Date of Patent:** **** Feb. 11, 2020**

(54) **ELECTRONIC CIGARETTE**

(74) *Attorney, Agent, or Firm* — Ladas & Parry LLP

(71) Applicant: **SHENZHEN SMOORE TECHNOLOGY LIMITED**,
Shenzhen, Guangdong (CN)

(57) **CLAIM**

The ornamental design for an electronic cigarette, as shown and described.

(72) Inventor: **Baosheng Lai**, Guangdong (CN)

DESCRIPTION

(73) Assignee: **Shenzhen Smoore Technology Limited**, Shenzhen (CN)

FIG. 1 is a front elevational view of one component removed from the electronic cigarette shown in FIG. 17, for clarity of disclosure;

(**) Term: **15 Years**

FIG. 2 is a rear elevational view thereof;

(21) Appl. No.: **29/646,290**

FIG. 3 is a left-side elevational view thereof;

(22) Filed: **May 3, 2018**

FIG. 4 is a right-side elevational view thereof;

(30) **Foreign Application Priority Data**

FIG. 5 is a top plan view thereof;

Nov. 24, 2017 (CN) 2017 3 0586278

FIG. 6 is a bottom plan view thereof;

(51) **LOC (12) Cl.** **27-02**

FIG. 7 is a front, top, right perspective view thereof; and

(52) **U.S. Cl.**

FIG. 8 is a rear, bottom, left perspective view thereof.

USPC **D27/167**

FIG. 9 is a front elevational view of a second component removed from the electronic cigarette shown in FIG. 17, for clarity of disclosure;

(58) **Field of Classification Search**

FIG. 10 is a rear elevational view thereof;

USPC D27/100, 101, 162–196; D23/366;

FIG. 11 is a left-side elevational view thereof;

D24/110; D19/101, 106, 115, 165, 195

FIG. 12 is a right-side elevational view thereof;

CPC A24F 47/00; A24F 47/002; A24F 15/12;

FIG. 13 is a top plan view thereof;

A24F 1/32

FIG. 14 is a bottom plan view thereof;

See application file for complete search history.

FIG. 15 is a front, top, right perspective view thereof; and

(56) **References Cited**

FIG. 16 is a rear, bottom, left perspective view thereof.

U.S. PATENT DOCUMENTS

FIG. 17 is a front elevational view of the electronic cigarette shown in an assembled configuration of use where the two components shown in FIG. 1 and FIG. 7 are combined;

D446,499 S * 8/2001 Andre D13/110

FIG. 18 is a rear elevational view thereof;

D532,927 S * 11/2006 Sann D27/101

FIG. 19 is a left-side elevational view thereof;

D665,734 S * 8/2012 Fitch D13/107

FIG. 20 is a right-side elevational view thereof;

D716,729 S * 11/2014 Kelly D13/110

FIG. 21 is a top plan view thereof;

D757,352 S * 5/2016 Bagai D27/101

FIG. 22 is a bottom plan view thereof;

(Continued)

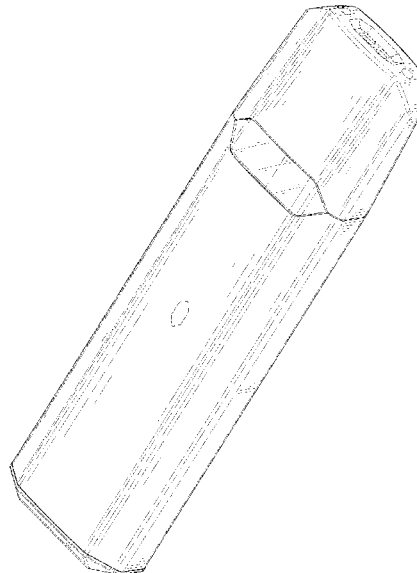
FIG. 23 is a front, top, right perspective view thereof; and,

FIG. 24 is a rear, bottom, left perspective view thereof.

The broken lines in the drawings are for the purpose of illustrating unclaimed portions of the electronic cigarette and form no part of the claimed design.

Primary Examiner — Marissa J Cash

1 Claim, 24 Drawing Sheets



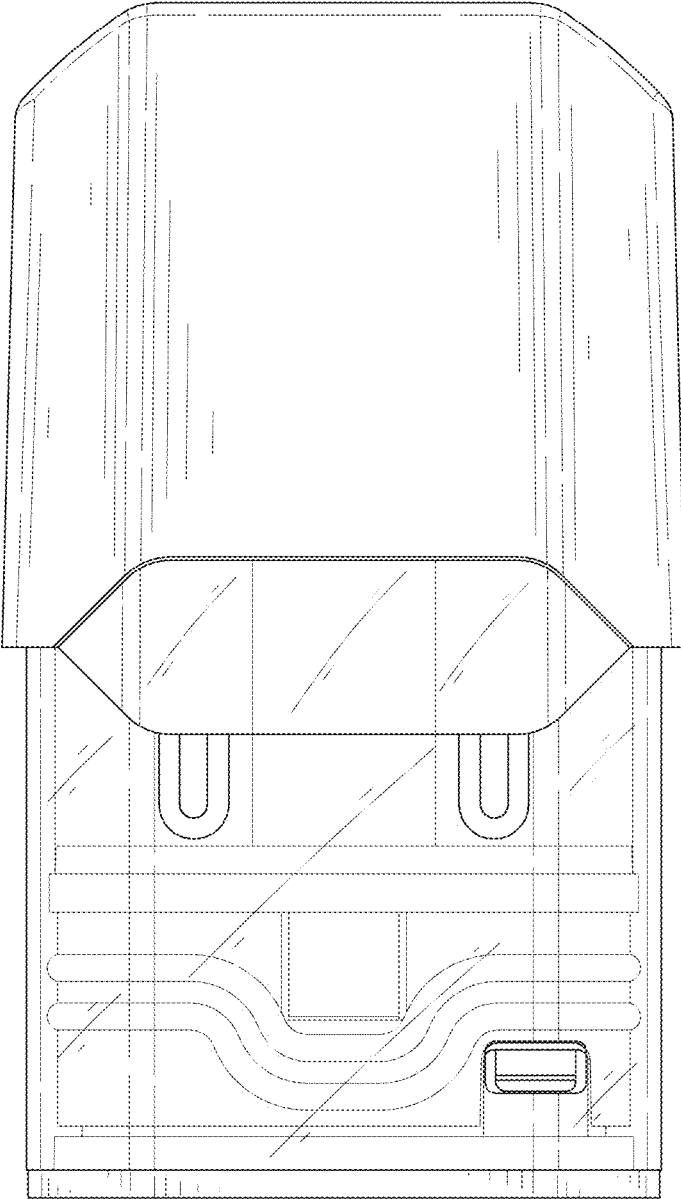


FIG. 1

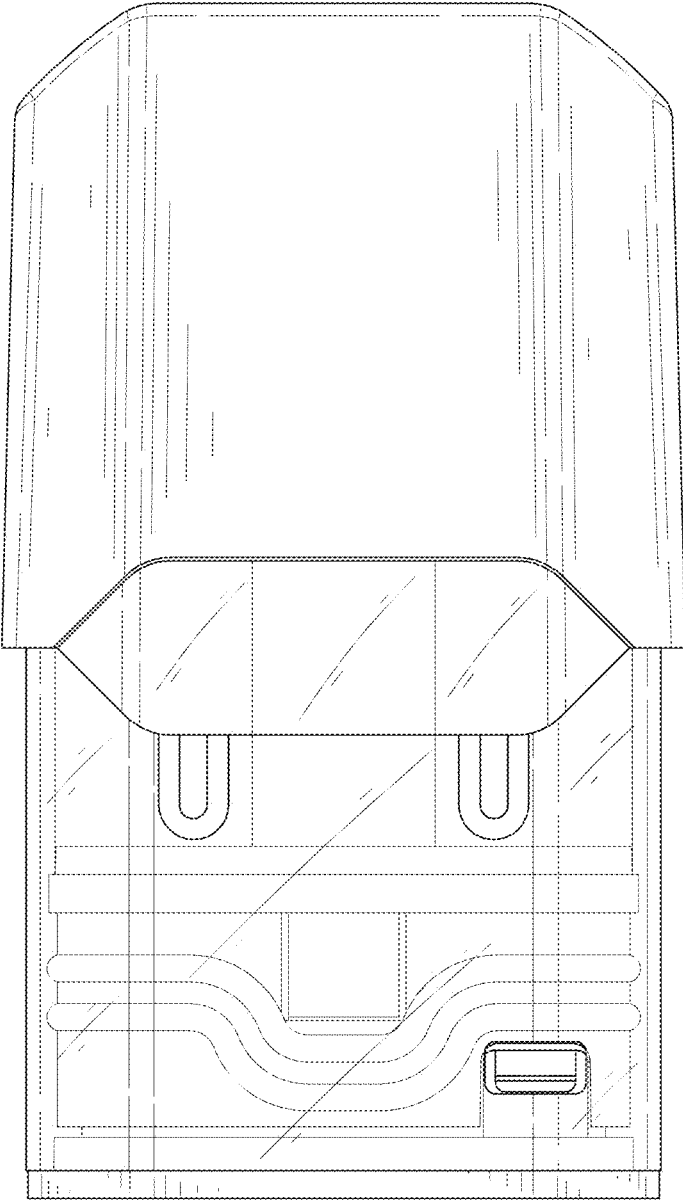


FIG. 2

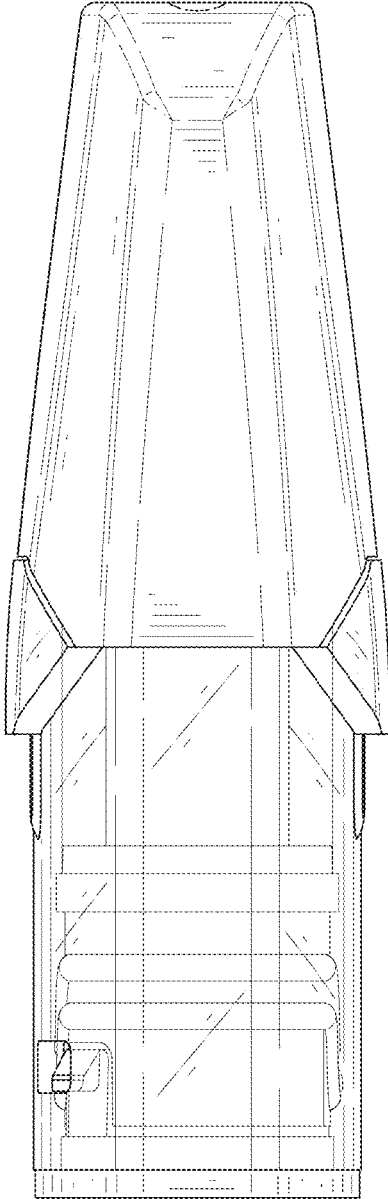


FIG. 3

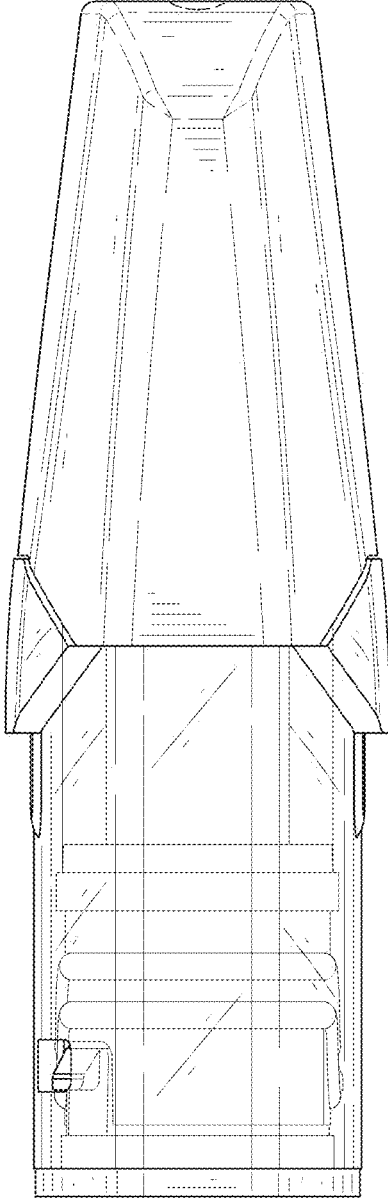


FIG. 4

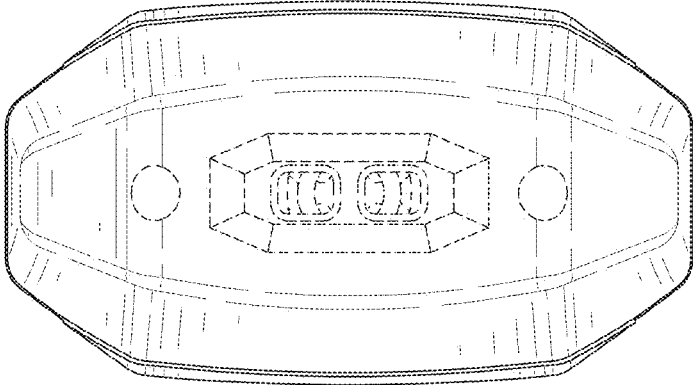


FIG. 5

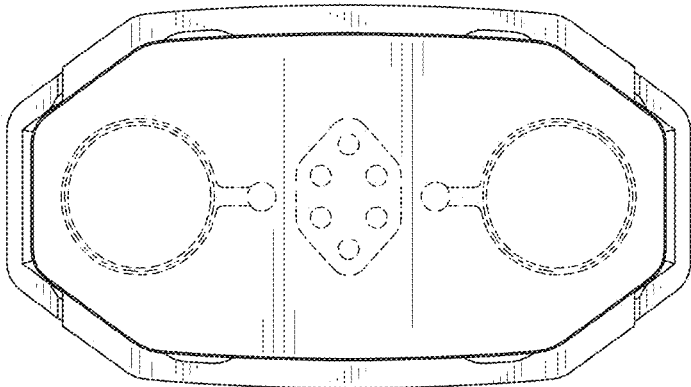


FIG. 6

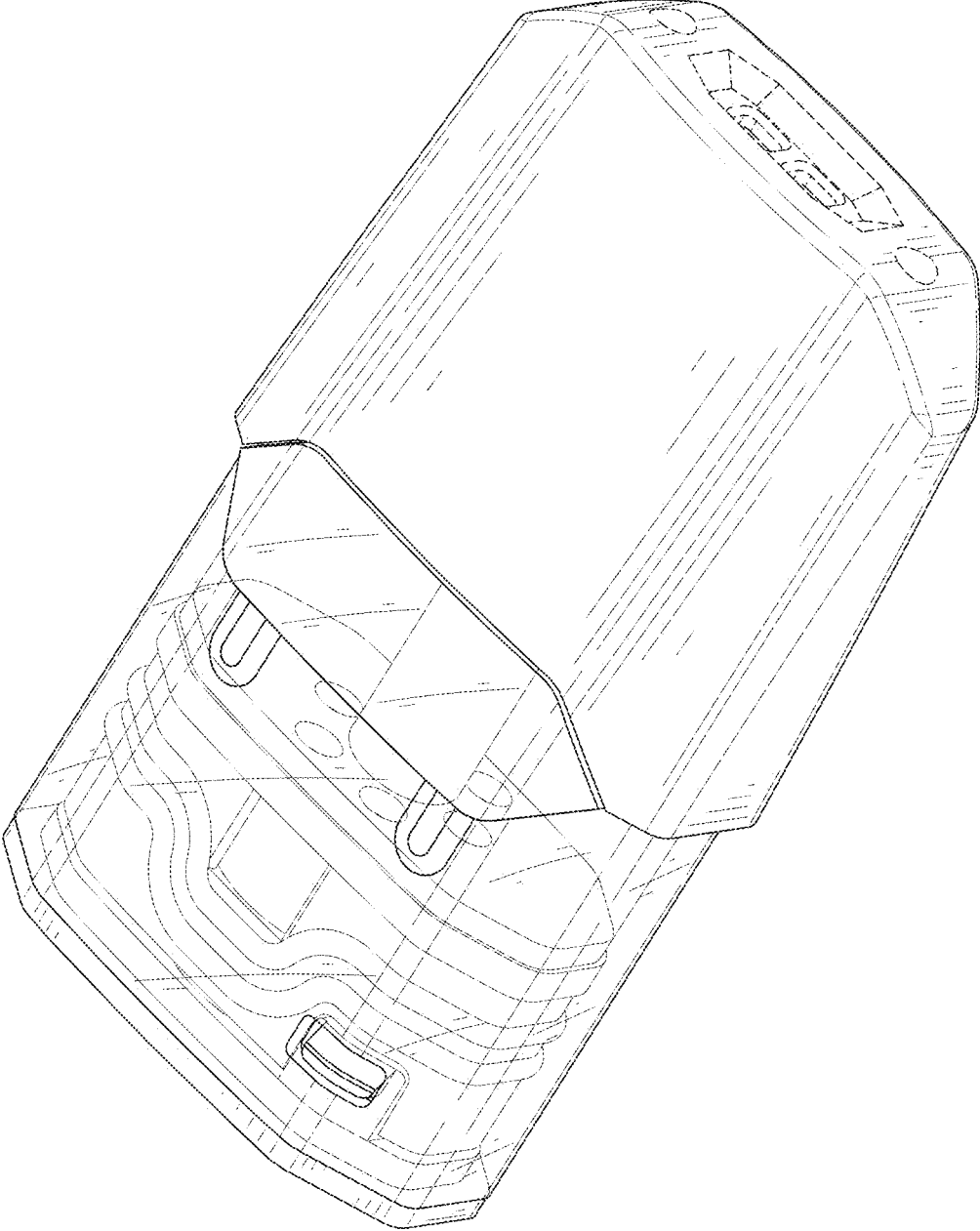


FIG. 7

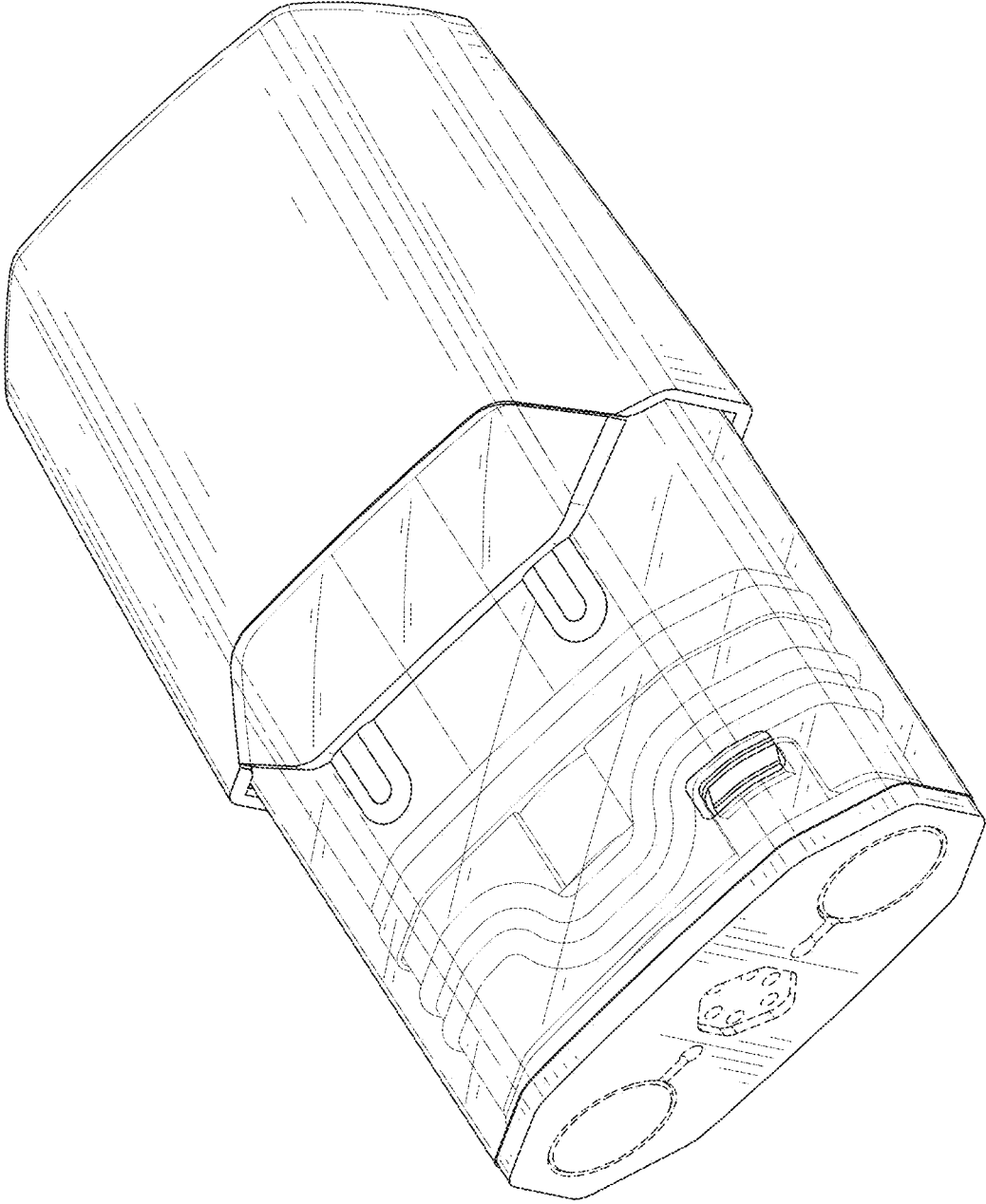


FIG. 8

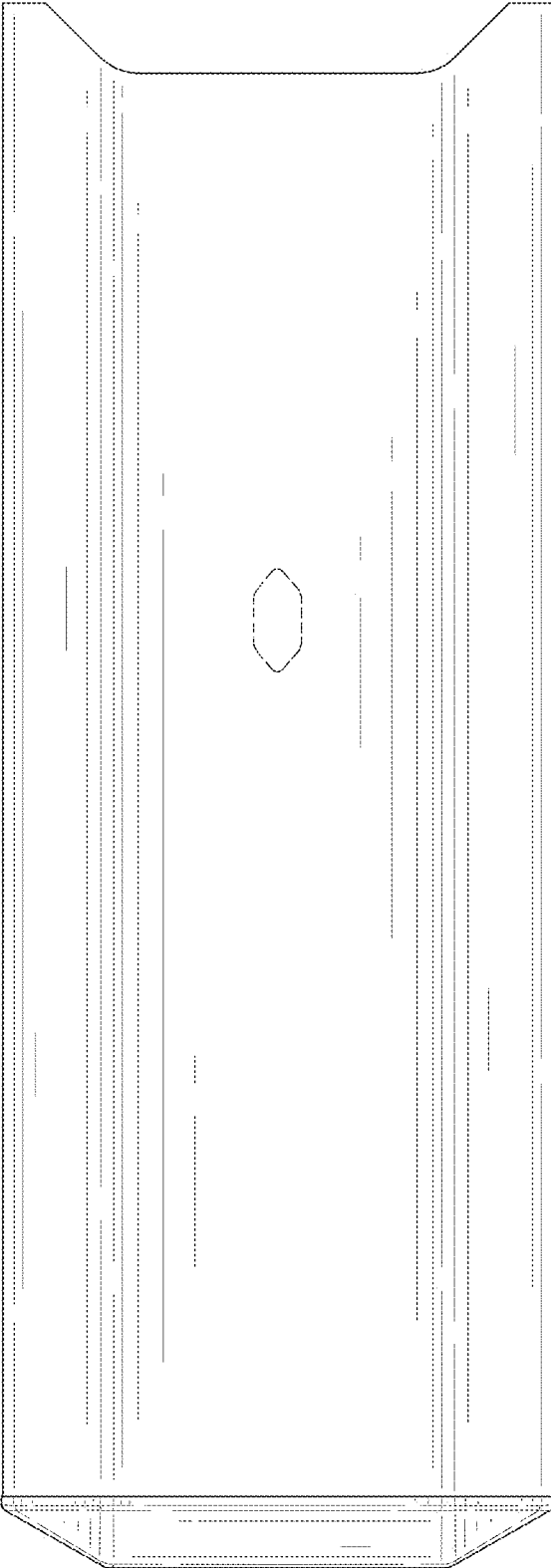


FIG. 9

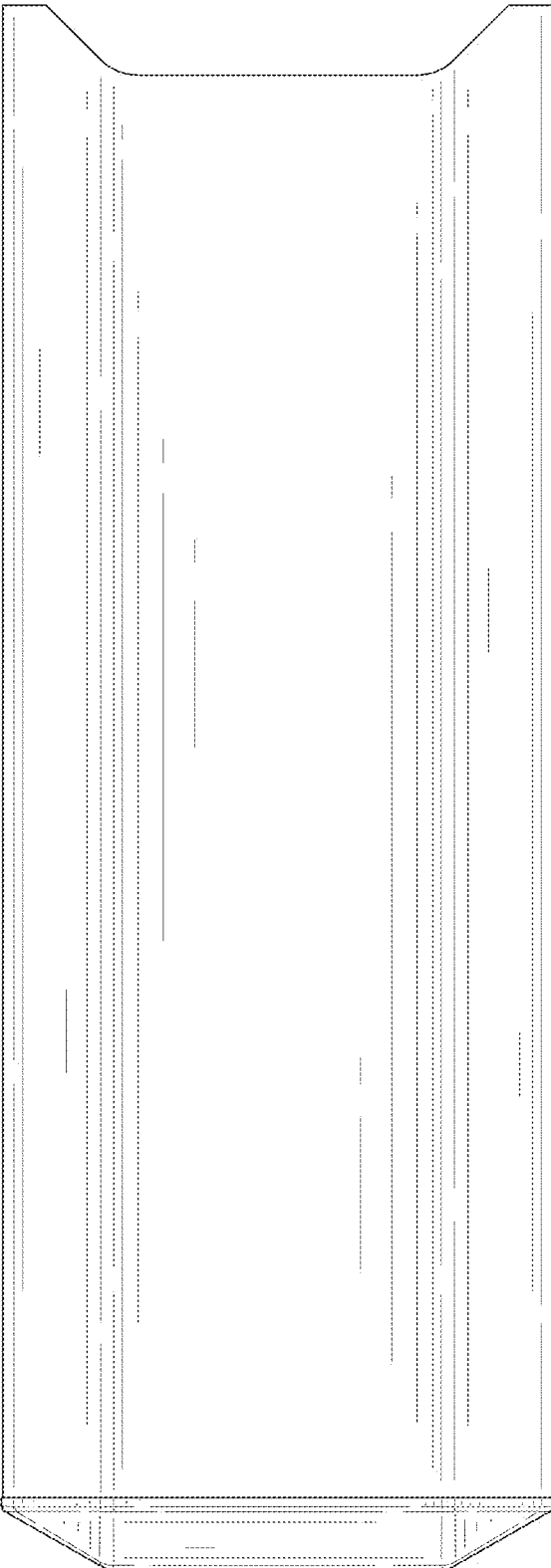


FIG. 10

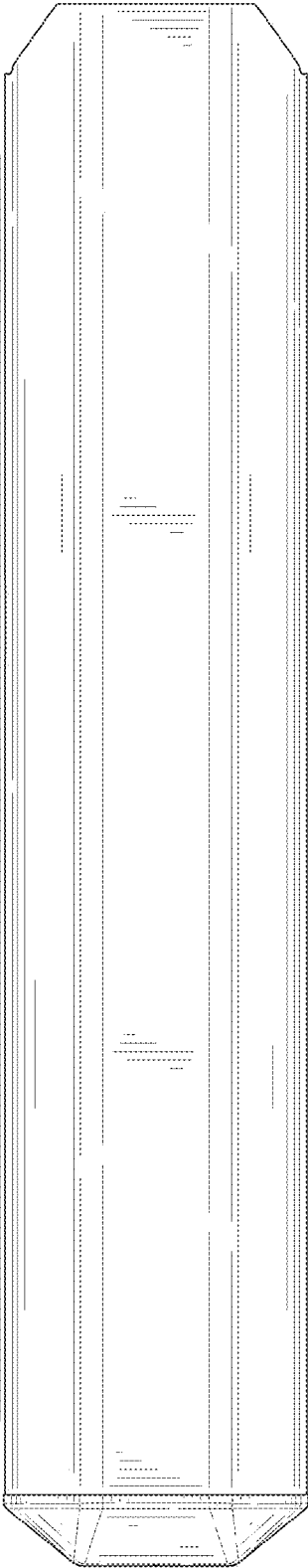


FIG. 11

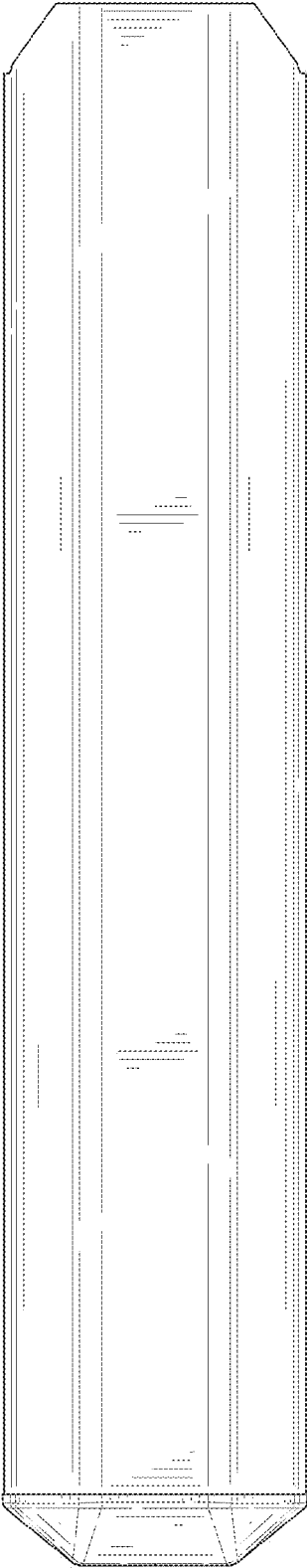


FIG. 12

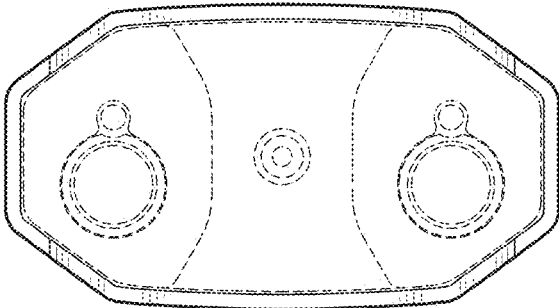


FIG. 13

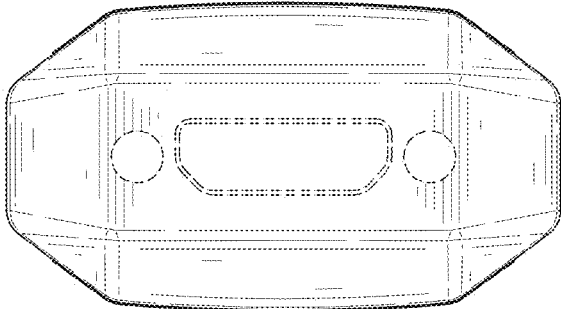


FIG. 14

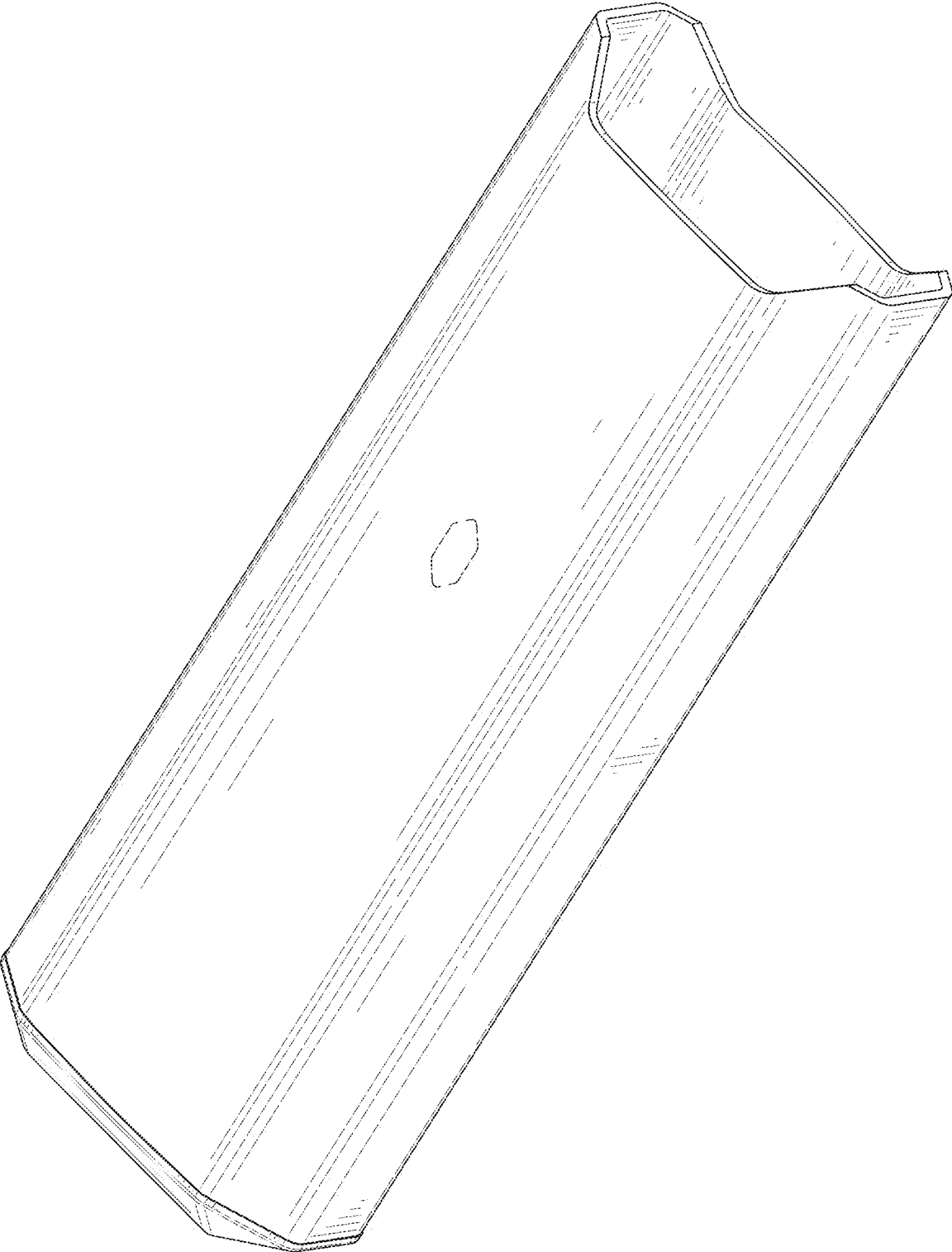


FIG. 15

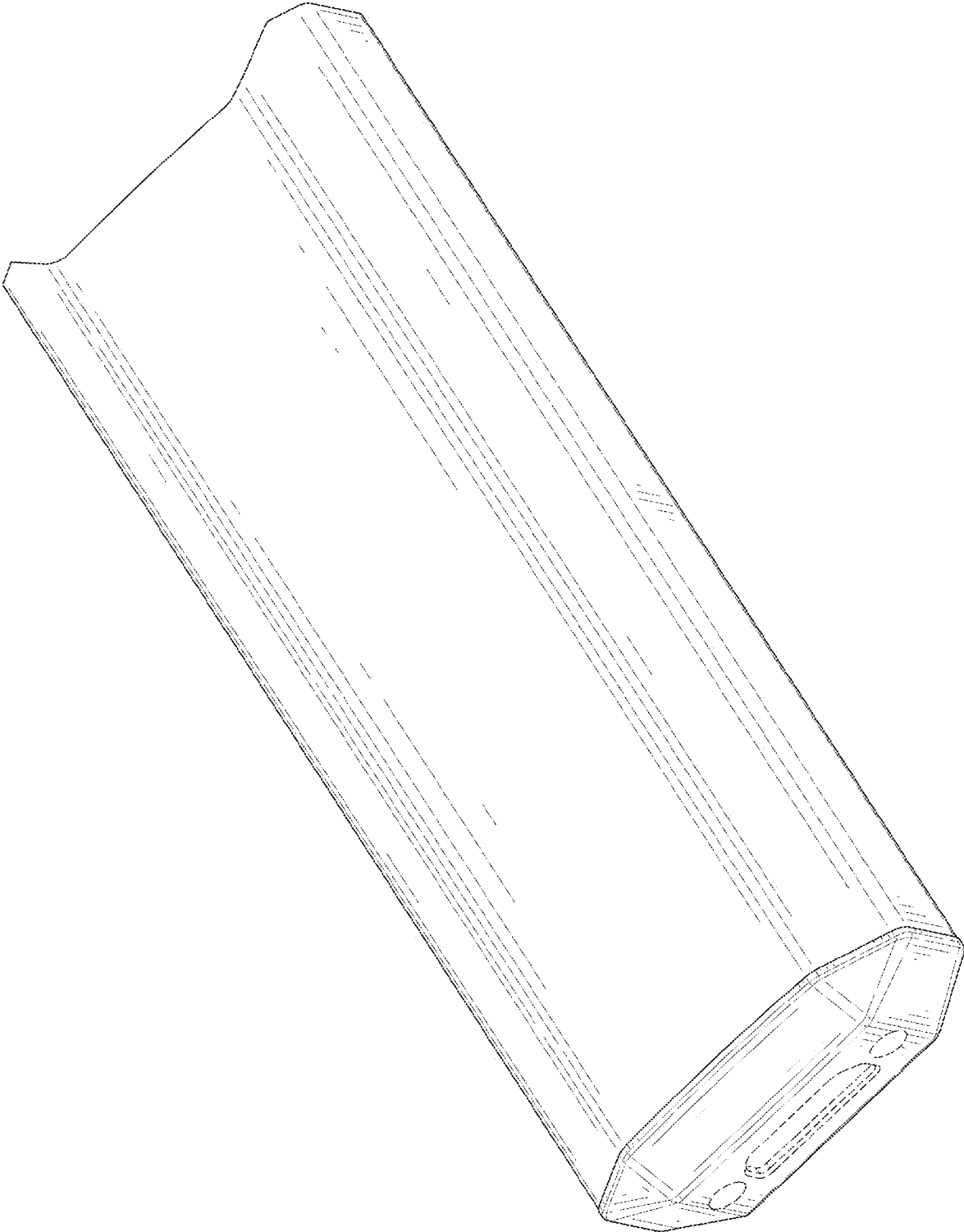


FIG. 16

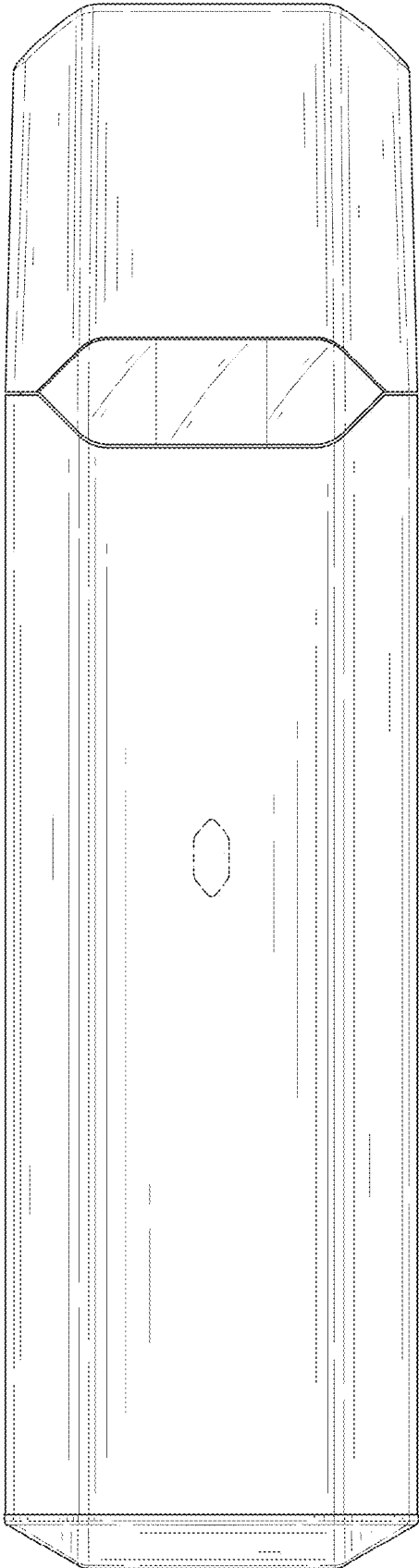


FIG. 17

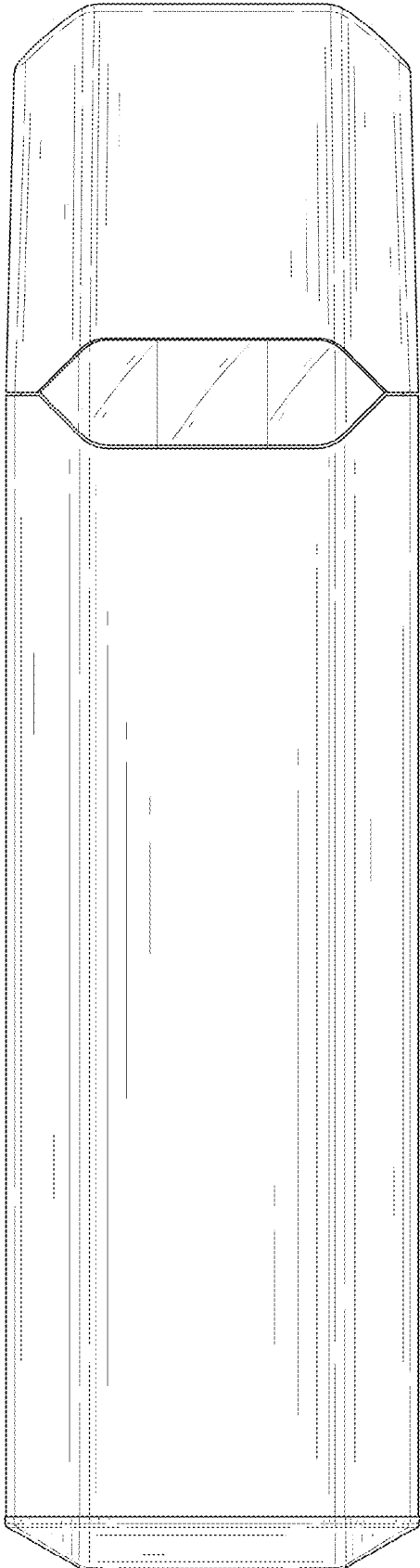


FIG. 18

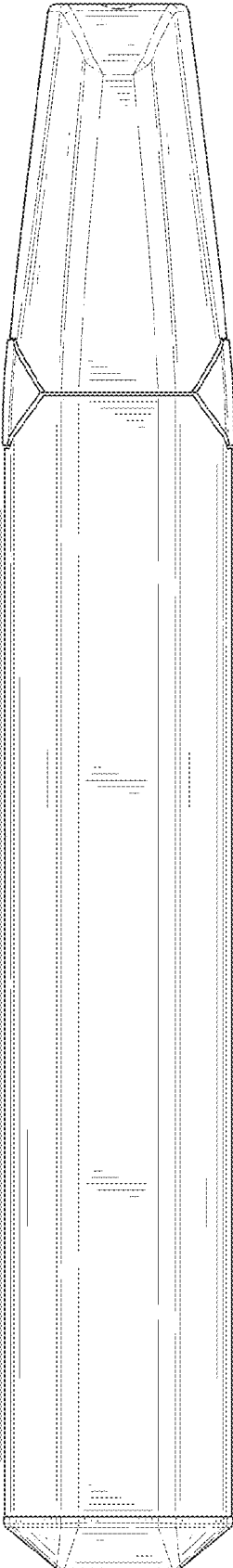


FIG. 19

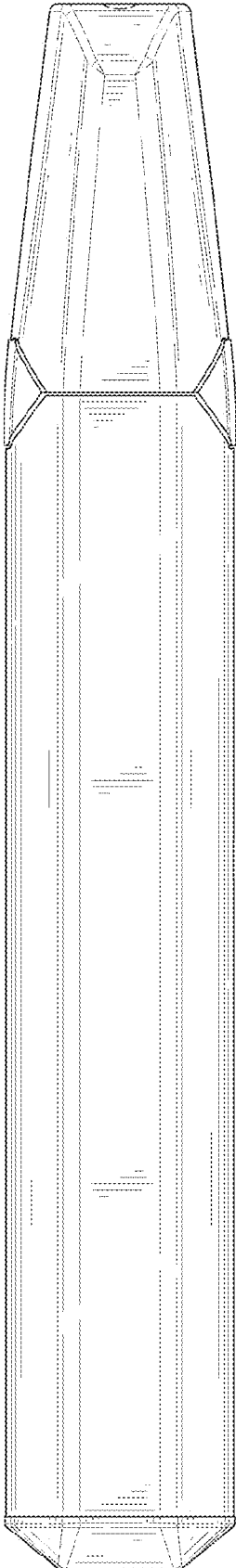


FIG. 20

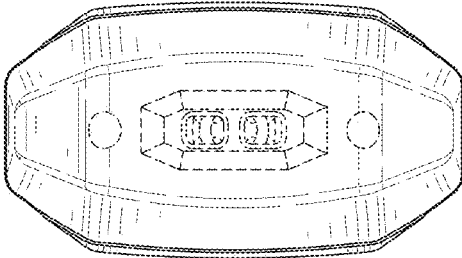


FIG. 21

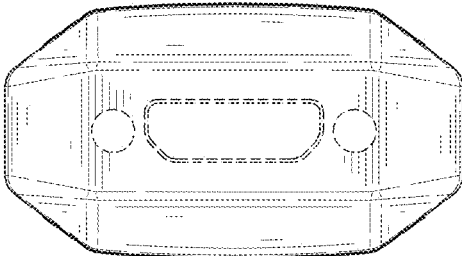


FIG. 22

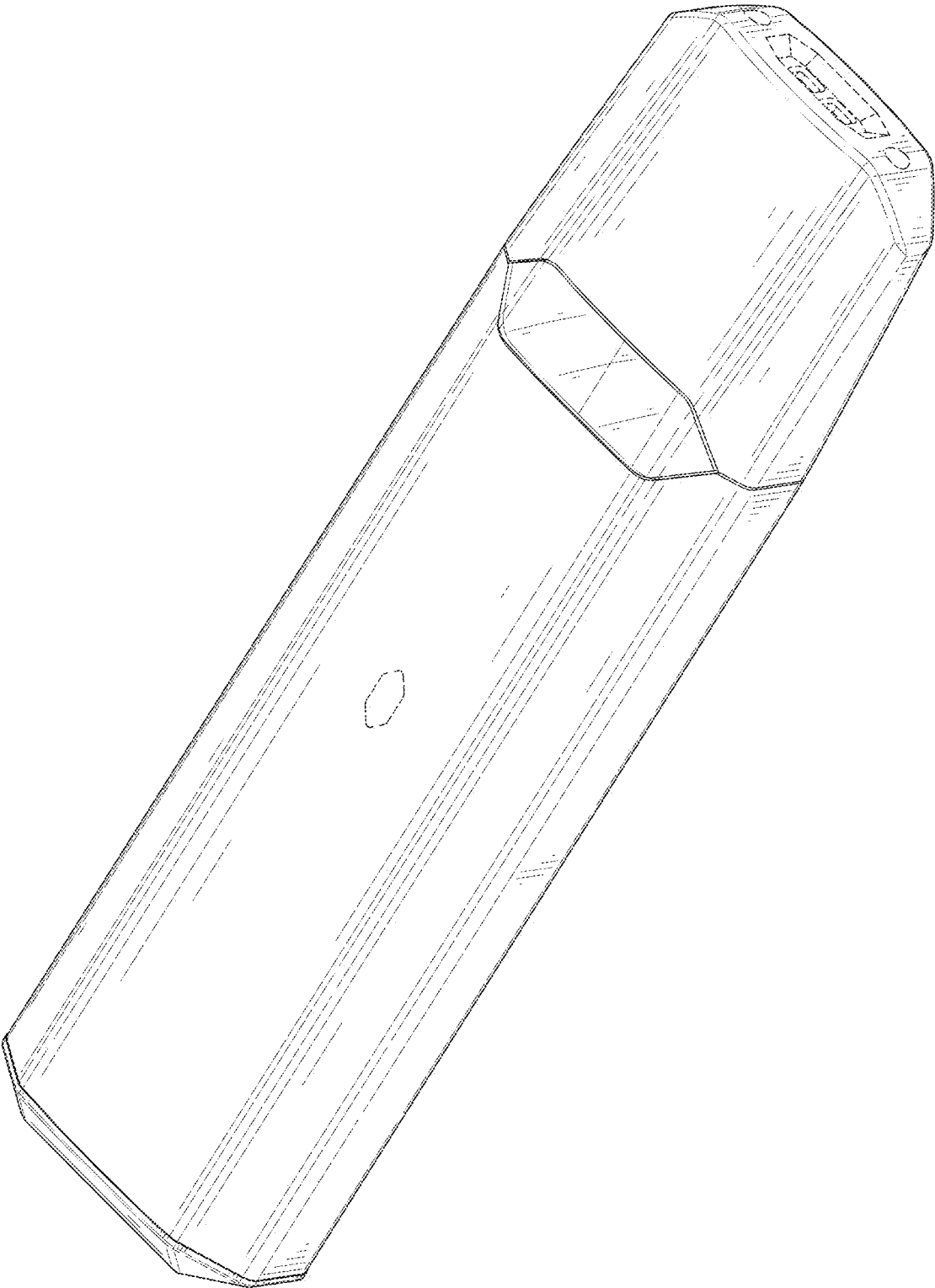


FIG. 23

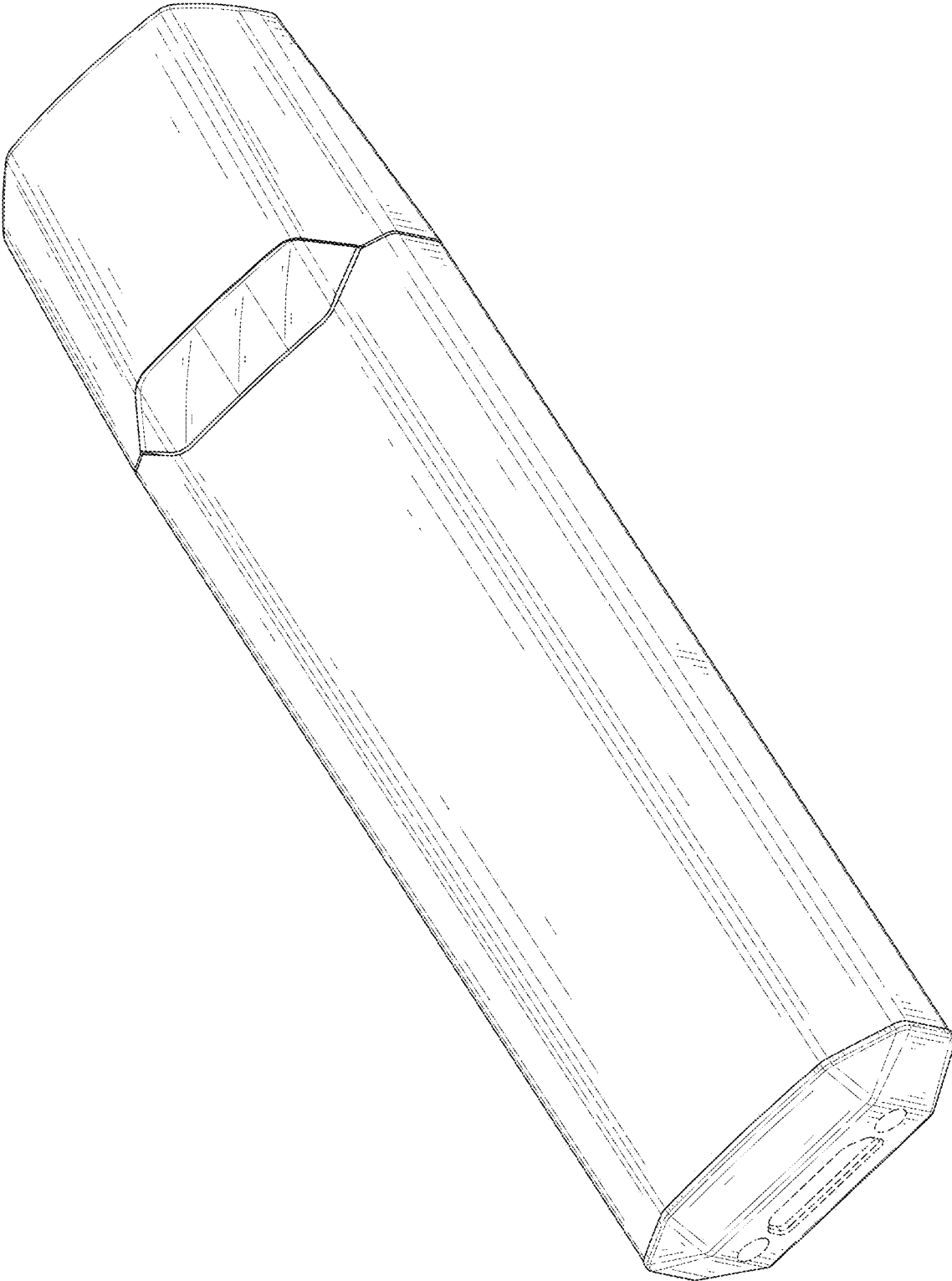


FIG. 24