

(19) World Intellectual Property Organization  
International Bureau



(43) International Publication Date  
27 June 2002 (27.06.2002)

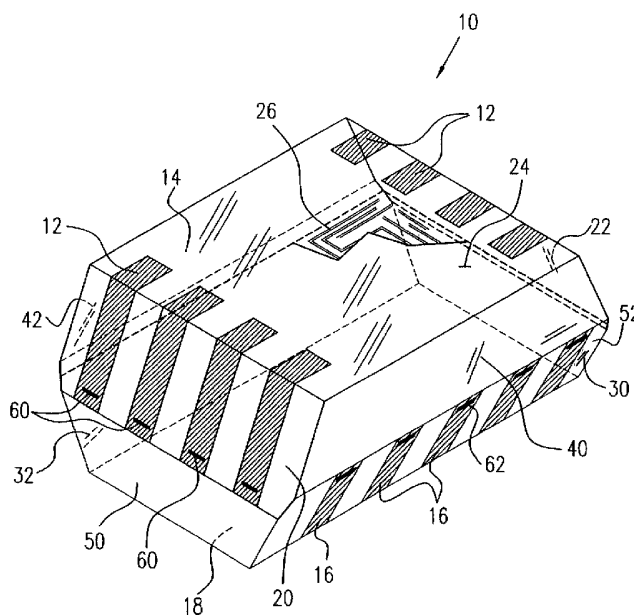
PCT

(10) International Publication Number  
WO 02/051217 A3

- (51) International Patent Classification<sup>7</sup>: H01L 23/02, 23/544, 21/50
- (74) Agents: SANFORD T. COLB & CO. et al.; P.O. Box 2273, 76122 Rehovot (IL).
- (21) International Application Number: PCT/IL01/01183
- (81) Designated States (*national*): AE, AG, AL, AM, AT, AU, AZ, BA, BB, BG, BR, BY, BZ, CA, CH, CN, CO, CR, CU, CZ, DE, DK, DM, DZ, EC, EE, ES, FI, GB, GD, GE, GH, GM, HR, HU, ID, IL, IN, IS, JP, KE, KG, KP, KR, KZ, LC, LK, LR, LS, LT, LU, LV, MA, MD, MG, MK, MN, MW, MX, MZ, NO, NZ, OM, PH, PL, PT, RO, RU, SD, SE, SG, SI, SK, SL, TJ, TM, TN, TR, TT, TZ, UA, UG, US, UZ, VN, YU, ZA, ZM, ZW.
- (22) International Filing Date: 19 December 2001 (19.12.2001)
- (25) Filing Language: English
- (26) Publication Language: English
- (30) Priority Data: 140482 21 December 2000 (21.12.2000) IL  
09/758,906 11 January 2001 (11.01.2001) US
- (84) Designated States (*regional*): ARIPO patent (GH, GM, KE, LS, MW, MZ, SD, SL, SZ, TZ, UG, ZM, ZW), Eurasian patent (AM, AZ, BY, KG, KZ, MD, RU, TJ, TM), European patent (AT, BE, CH, CY, DE, DK, ES, FI, FR, GB, GR, IE, IT, LU, MC, NL, PT, SE, TR), OAPI patent (BF, BJ, CF, CG, CI, CM, GA, GN, GQ, GW, ML, MR, NE, SN, TD, TG).
- (71) Applicant (*for all designated States except US*): SHELL-CASE LTD. [IL/IL]; Manhat Technology Park, P.O. Box 48328, 96251 Jerusalem (IL).
- (72) Inventor; and
- (75) Inventor/Applicant (*for US only*): BADIHI, Avner [IL/IL]; 6 Nataf Street, 90804 Mobile Post Harei Yehuda (IL).
- Published: — with international search report

[Continued on next page]

(54) Title: PACKAGED INTEGRATED CIRCUITS AND METHODS OF PRODUCING THEREOF



(57) Abstract: A packaged integrated circuit (10) and method for producing thereof including an integrated circuit substrate lying in a substrate plane (24) and having electrical circuitry formed thereon, a package enclosing the integrated circuit substrate and defining first and second planar surfaces generally parallel to the substrate plane and a plurality of electrical contacts, each connected to the electrical circuitry at the substrate plane, at least some of the plurality of electrical contacts extending onto the first planar surface (20) and at least some of the plurality of electrical contacts extending onto the second planar surface (22).



WO 02/051217 A3



— *before the expiration of the time limit for amending the claims and to be republished in the event of receipt of amendments*

*For two-letter codes and other abbreviations, refer to the "Guidance Notes on Codes and Abbreviations" appearing at the beginning of each regular issue of the PCT Gazette.*

**(88) Date of publication of the international search report:**

24 July 2003

INTERNATIONAL SEARCH REPORT

International application No.

PCT/IL01/01183

**A. CLASSIFICATION OF SUBJECT MATTER**

IPC(7) : H01L 23/ 02; H01L 23/544; H01L 21/50  
 US CL : 257/678,787; 438/106,107,109

According to International Patent Classification (IPC) or to both national classification and IPC

**B. FIELDS SEARCHED**

Minimum documentation searched (classification system followed by classification symbols)  
 U.S. : 257/787,678,621,698,627,82; 438/109,106,107; 428/699

Documentation searched other than minimum documentation to the extent that such documents are included in the fields searched  
 NONE

Electronic data base consulted during the international search (name of data base and, where practicable, search terms used)  
 NONE

**C. DOCUMENTS CONSIDERED TO BE RELEVANT**

Category *	Citation of document, with indication, where appropriate, of the relevant passages	Relevant to claim No.
X	US 5,567,657 A (Wojnarowski et al.) 22 October 1996 (22.10.1996); fig.5	1
X	US 5,814,894 A (Igarashi et al.) 29 September 1998 (29.09.1998) fig1, fig 8A, column 1 line 9	1,2,7,9
Y		3-6,11-13
X	US 5,952,712 A (Ikuina et al.) 14 September 1999 (14.09.1999) fig 2, fig 4, abstract	1,2,7,9,14,15,20,22,27,29
Y		8,16-19, 21,23-26,28,30-33
Y	US 5,965,933 A ( Young et al.) 12 October 1999 ( 12.10.1999); fig 6	3-6,10-13,16-19,23-26,30-33

Further documents are listed in the continuation of Box C.

See patent family annex.

* Special categories of cited documents:	
"A" document defining the general state of the art which is not considered to be of particular relevance	"T" later document published after the international filing date or priority date and not in conflict with the application but cited to understand the principle or theory underlying the invention
"E" earlier application or patent published on or after the international filing date	"X" document of particular relevance; the claimed invention cannot be considered novel or cannot be considered to involve an inventive step when the document is taken alone
"L" document which may throw doubts on priority claim(s) or which is cited to establish the publication date of another citation or other special reason (as specified)	"Y" document of particular relevance; the claimed invention cannot be considered to involve an inventive step when the document is combined with one or more other such documents, such combination being obvious to a person skilled in the art
"O" document referring to an oral disclosure, use, exhibition or other means	"&" document member of the same patent family
"P" document published prior to the international filing date but later than the priority date claimed	

Date of the actual completion of the international search

09 April 2003 (09.04.2003)

Date of mailing of the international search report

12 MAY 2003

Name and mailing address of the ISA/US  
 Commissioner of Patents and Trademarks  
 Box PCT  
 Washington, D.C. 20231

Facsimile No. (703)305-3230

Authorized officer

Thinh T Nguyen

Telephone No. 703-305-0421

*Sham S. Hoppe*